



MovinCool® Portable Air Conditioners

Office Pro



Classic



Classic Plus



MOVINCOOL®
THE PORTABLE SPOT COOLING SOLUTION

©2003 DENSO SALES CALIFORNIA, INC.
MovinCool, SpotCooling and Office Pro are registered trademarks of DENSO Corporation.



Contents

General Data - Cross Reference

4

Units

Accessories

General Data - Product

6

Office Pro Series

Classic Series

Classic Plus Series

General Data - Miscellaneous

12

Office Pro Accessories

Classic 10 and 18, Classic Plus 14, 26 Accessories

Classic 40 and 60 Accessories



General Data – Cross-Reference

Table G-1 - MovinCool Air-Cooled Portable Air Conditioners

Trane Item Number	MovinCool Part No.	Description	Voltage
UNT00868	Office Pro 10	Portable Air Conditioner, 9,600 Btu/h	Single Phase, 115V
UNT00858	Office Pro 12	Portable Air Conditioner, 13,700 Btu/h	Single Phase, 115V
UNT00869	Office Pro 18	Portable Air Conditioner, 16,800 Btu/h	Single Phase, 115V
UNT00859	Office Pro 24	Portable Air Conditioner, 24,000 Btu/h	Single Phase, 208/230V
UNT00860	Office Pro 60	Portable Air Conditioner, 60,000 Btu/h	Single Phase, 208/230V
UNT00863	Classic 10	Portable Air Conditioner, 10,000 Btu/h	Single Phase, 115V
UNT00864	Classic 18	Portable Air Conditioner, 18,000 Btu/h	Single Phase, 208/230V
UNT00865	Classic 40	Portable Air Conditioner, 39,000 Btu/h	Three Phase, 220V
UNT00866	Classic 60	Portable Air Conditioner, 60,000 Btu/h	Three Phase, 460V
UNT00861	Classic Plus 14	Portable Air Conditioner, 14,000 Btu/h	Single Phase, 115V
UNT00862	Classic Plus 26	Portable Air Conditioner, 26,000 Btu/h	Single Phase, 208/230V



General Data – Cross-Reference

Table G-2 - MovinCool Accessories

Trane Item Number	MovinCool Part No.	Description	Where Used
FLG01053	481170-0090	FLANGE, CHAMBER EXTENDER 10", CL40, CL60	UNT00865, UNT00866
FLG01054	481170-0150	FLANGE, REDUCER 12", CL60	UNT00865
FLG01055	481170-0180	FLANGE, COLD AIR, 5", OP12, CL10, CL18, CP14, OP18	UNT00858, UNT00863, UNT00864, UNT00861, UNT00869
FLG01056	481170-0190	FLANGE, COLD AIR, 12", CL10, CL18, CP14, CP26, CL40, CL60 FLANGE, WARM AIR, 12", CL10, CL18, CP14, CP26,	UNT00861 THROUGH UNT00866 UNT00865, UNT00866, UNT00863 UNT00864
FLG01057	481170-0210	FLANGE 8", CL40	UNT00865
FLG01058	481170-0250	FLANGE, COLD AIR, 6" DIA., CP26, OP24, OP60	UNT00862, UNT00859, UNT00860
DUC01041	481744-0030	DUCT EXT 6" DIA., OP24, OP60, CP26, CL40, CL60	UNT00859, UNT00860, UNT00862, UNT00865, UNT00866
DUC01043	481744-0060	DUCT EXT 12" DIA., CL40, CL60 WARM AIR SELF SUPPORTED DUCT 12" DIA., OP12, OP18, OP24, CL10, CL18, CP14, CP26	UNT00861, UNT00862 UNT00858, UNT00859, UNT00863, UNT00864, UNT00865, UNT00866, UNT00869
DUC01044	481744-0090	DUCT EXT 5" DIA., 6 TO 10FT, OP12, OP18, CL10, CL18, CP14	UNT00858, UNT00863, UNT00864, UNT00861, UNT00869
CHB00158	481769-0041	CHAMBER 2 WAY 30, CL40, CL60	UNT00865, UNT00866
CHB00159	481769-0051	CHAMBER 3 WAY 30, CL40, CL60	UNT00865, UNT00866
CHB00160	481849-1431	CHAMBER EXTENDER, CL40, CL60	UNT00865, UNT00866
RNG01760	481851-0200	TRIM RING 5" DIA., OP12, OP18, OP60, CL10, CL18, CP14	UNT00858, UNT00859, UNT00860, UNT00863, UNT00864, UNT00861, UNT00869
RNG01761	481851-0210	TRIM RING 6" DIA., CP26, CL40, CL60, OP60, OP24	UNT00862, UNT00865, UNT00866, UNT00859, UNT00860
COV03325	484009-0480	COVER PLATE, CL10, CL18, CP14, CP26	UNT00863, UNT00864, UNT00861, UNT00862
DUC01045	484209-0030	DUAL DUCT KIT 5" DIA., CL10, CL18, CP14	UNT00863, UNT00864, UNT00861
DUC01046	484209-0050	DUCT, STANDARD 6" DIA., OP24	UNT00859
NOZ00817	LAY84209-0010	Nozzle Adapter 6" DIA., OP24	UNT00859
NOZ00818	484209-0060	NOZZLE OR DUCT AIR, OP12, OP18	UNT00858, UNT00869
FLT00006	484460-0010	FLOAT, CONDENSATE, OP60	UNT00860
CNT03694	484500-0430	REMOTE CONTROL ASSY 30/50, CL40, CL60	UNT00865, UNT00866
KIT07916	484709-0011	CASTER KIT, CL40	UNT00865
WHL02263	484709-0020	CASTER, CL60	UNT00866
KIT07917	484710-0020	WAGON KIT 30, CL40	UNT00865
TNK00865	484730-0010	TANK, CONDENSATE, OP60	UNT00860
KIT07918	484750-0020	STAND KIT 30, CL40	UNT00865
PMP01586	CPK1	CONDENSATE PUMP KIT (230V), CL18	UNT00864
PMP01587	CPK2	CONDENSATE PUMP KIT (115V), CL10	UNT00863
PMP01588	CPK3	CONDENSATE PUMP KIT (115V), OP12, OP18, CP14	UNT00858, UNT00861, UNT00869
PMP01589	CPK4	CONDENSATE PUMP KIT (230V), CP26	UNT00862
PMP01590	CPK5	CONDENSATE PUMP KIT (220V), OP24	UNT00859
PLT03642	LA146373-8280	CEILING TILE KIT, OP12, OP18, OP24, CL10, CL18, CP14, CP26	UNT00858, UNT00859, UNT00863, UNT00864, UNT00861, UNT00862, UNT00869
DUC01047	LA-146499-0320	COLD AIR SELF SUPPORTED DUCT EXT 8" DIA., OP60	UNT00860
ADP00978	LA481769-0170	OFFICE PRO NOZZLE ADAPTER, OP12, OP18	UNT00858, UNT00869
DUC01046	484209-0050	DUCT ASSY, COOL AIR, OP24	UNT00859
ADP00979	LAY45770-0070	NOZZLE ADAPTER 6" DIA., OP60	UNT00860
ADP00980	LAY45770-0080	DUCT ADAPTER 8" DIA., OP60	UNT00860
DUC01049	LAY45810-0030	DUCT, COLD AIR 8" DIA., OP60	UNT00860
DUC01050	LAY45820-0010	DUCT, ACCORDION STYLE FOR EVAP. OR COND., 25 FT, 16" DIA. OP60	UNT00860
LOK00032	LAY46521-0020	CASTER SWIVEL LOCKS, OP60	UNT00860
KIT07909	LAY84270-0010	Air Plenum Kit OP12, OP18	UNT00858, UNT00869
KIT07910	LAY84270-0020	Air Plenum Kit CP14 & CL18	UNT00861, UNT00864
KIT07911	LAY84270-0030	Air Plenum Kit CP26	UNT00862
KIT07912	LAY84270-0040	Air Plenum Kit, CL10	UNT00863
KIT07913	LAY84270-0050	Air Plenum Kit OP 24	UNT00859
KIT07914	LAY84270-0060	CONDENSER AIR PLENUM KIT, OP60	UNT00866
KIT07915	LAY84270-0070	EVAPORATOR AIR PLENUM KIT, OP60	UNT00866
PMP01638	CPK7	Condensate Pump Kit (115V) OP10	UNT00868
PLT03778	LAY45771-0110	Ceiling Tile	UNT00868
CNT03770	LAY13090-0010	Remote Control	UNT00868



General Data – Product

Office Pro 10



Office Pro 12



Office Pro 18



Office Pro 24



Office Pro 60



MovinCool Office Pro Series

Office Pro is designed to function in today's information critical office environments. Its modern styling allows it to blend with most interiors yet it offers the same cooling power as the Classic industrial models. With programmable electronic temperature control, the Office Pro is affordable insurance when the fixed air conditioning is no longer sufficient or completely fails. The Office Pro cools people and electronic equipment instantly, quietly and efficiently.

The loss of data and equipment due to heat can cripple daily operations. That's why more companies are turning to the Movin Cool Office Pro series to protect their heat-sensitive office systems with spot cooling. Systems like yours can't afford a major loss as a result of a costly failure or a shutdown.

From computers and networks to offices and switching rooms, the Office Pro cools and protects your investment in valuable electronic equipment. Simply wheel it in, plug it in and it goes to work instantly, providing up to 60,000 Btu/h of air conditioning to just the spot that needs it!

Features/Benefits:

- Easy-to-use programmable controls – Operates automatically after-hours or during weekends.
- 10,000 to 60,000 Btu/h of cooling – Enough capacity to provide cooling whenever and wherever you need it.
- Low temperature operation – Provides a safe environment to protect systems and data.
- Two-speed fan – Adjustable airflow to meet your specific cooling needs.
- Adjustable louvers – Whisper quiet operation.
- Totally self-contained portable design – Quick, easy and cost-effective to install.



General Data – Product

Office Pro® Specifications

	MovinCool PN Trane PN	Office Pro 10 UNT00868	Office Pro 12 UNT00858	Office Pro 18 UNT00869	Office Pro 24 UNT00859	Office Pro 60 UNT00860
Electronic Features	Control Panel Thermostat Control	Programmable Electronic	Programmable Electronic	Programmable Electronic	Programmable Electronic	Programmable Electronic
Cooling Capacity	Rating conditions 95°F at 60% rh	9,600 Btu/h	11,800 Btu/h	16,800 Btu/h	23,300 Btu/h	59,500 Btu/h
Electrical Characteristics	Voltage Requirement Total Power Consumption Current Consumption Recommended Fuse Size NEMA Plug Configuration Min-Max. Voltage	1 Phase, 115V 1.1 kW 10 amps 15 amps 5-15 105-125	1 Phase, 115V 1.4 kW 11.2 amps 15 amps 5-15 105-125	1 Phase, 115V 1.7 kW 15.6 amps 20 amps 5-20 105-125	1 Phase, 208/230V 2.7 kW 11.2 amps 20 amps L6-20 195-250	1 Phase, 208/230V 7.1 kW 33 amps 50 amps 6-50 195-250
Fans	Motor Output - high/low (Where Applicable)	0.08/0.05 kW 0.19 kW Cond.	0.14/0.08kW	0.24/0.19 kW	0.48/0.41kW	0.6/0.33 kW Evap. 1.2/0.92 kW Cond.
Evaporator	Fan Type Max. Air Flow - high/low Max. External Static Pressure	Impeller 595/510 CFM 0.27 IWG	Centrifugal 410/380 CFM 0.31 IWG	Centrifugal 540/500 CFM 0.31 IWG	Centrifugal 630/545 CFM 0.5 IWG	Centrifugal 1940/1770 CFM 0.9 IWG
Condenser	Fan Type Max. Air Flow - high/low Max. External Static Pressure	Impeller 1160 CFM 0.8 IWG	Centrifugal 820/715 CFM 0.16 IWG	Centrifugal 770/710 CVM 0.23 IWG	Centrifugal 870/760 CFM 0.16 IWG	Centrifugal 2830/2650 CFM 0.85 IWG
Compressor	Type Output	Hermetic Rotary 0.68 kW	Hermetic Rotary 0.8 kW	Hermetic Rotary 0.95 kW	Hermetic Rotary 1.4 kW	Hermetic Scroll 4.7 kW
R-22 Charge		1.61 lb.	0.95 lb	1.54 lb.	2.14 lb	6.83 lb
Dimensions	WxDxH	22 x 14 x 38 in.	21 x 27 x 44 in.	21 x 27 x 44 in.	21 x 27 x 47 in.	30 x 52 x 64 in.
Net Weight/Shipping Weight		110/165 lb.	165/195 lb	177/207 lb.	210/250 lb	625/755 lb
Power Cord	Gauge Length	14 AWG (3-core) 6 ft.	14 AWG (3-core) 10 ft.	12 AWG (3-core) 10 ft.	12 AWG (3-core) 6 ft.	6 AWG (3-core) 6 ft.
Condensate Tank Capacity		2.4 gal	5 gal	5 gal	5 gal	Auto Pump Incl.
Operating Conditions	Min-Max. (50% rh)	65 - 95°F	65 - 95°F	65 - 95°F	65 - 95°F	65 - 105°F
Max. Duct Length	Per Cold Duct Hose Hot Duct Hose	N/A 20 ft.	30 ft 60 ft	25 ft 100 ft.	50 ft 45 ft	40 ft 100 ft
Max. Sound Level	With Condenser Duct - high/low Without Condenser Duct - high/low	58/56 dB 60/58 dB	52/50 dB 55/53 dB	61/59 dB 62/60 dB	63/61 dB 65/63 dB	69/67 dB 71/69 dB

Note:

All specifications subject to change without notice. Standard warranty includes 12 months on the entire unit. All models are UL listed and feature compressor overload relay and fan motor protection. All models also feature compressor short-cycle protection, return air thermostat, automatic restart and accommodate a condensate pump kit. All models are 50 hertz (Hz) compatible with a slight performance decrease from specifications listed above.



DENSO SALES CALIFORNIA, INC.
REGISTERED TO ISO 9002
FILE NO. A5537



General Data – Product

Classic 10



Classic 18



Classic 40/60



MovinCool Classic Series

Time tested and proven, the Classic series has been cooling the world's factories, warehouses and workspaces for over twenty years. Its rugged design and unparalleled reliability has made the Classic the unit of choice for production managers, quality engineers and warehouse operators. With a wide range of cooling capacities and options, there is a Classic model for virtually every cooling need.

Classic 10 and 18

No one performs well under extreme heat. That's why more companies rely on the proven performance of MovinCool's original Classic portable air conditioners to spot cool their overheated workers. Workers like you who may be suffering from heat exhaustion and low productivity.

From stuffy factory floors and warehouses to overheated manufacturing plants and assembly lines, the MovinCool Classic spot cools virtually any work area – at less than half the cost of a central system. Simply wheel it in, plug it in and it goes to work instantly, providing up to 18,000 BTU/h of cooling relief wherever and whenever you need it.

Features/Benefits

- Up to 18,000 BTU/h of cool air – Provides cool air to just the spot that needs it.
- Economical – Costs as little as 10 cents per hour to use.
- Rugged Design – Performs in the harshest environments.
- Dramatic Temperature Drop – Up to a 25-degree drop in ambient temperature.
- Handles extreme temperatures – Operated in temperatures ranging from 68°F to 105°F.
- Condensation overflow control – Prevents overflow when condensation builds up.
- Totally self-contained – All-in-one design makes operation virtually maintenance free.
- No costly installation needed – Simply roll it in, plug it in and turn it on.

Classic 40 and 60

When you need maximum cooling power, you need the Classic 40 and the Classic 60 spot air conditioners from MovinCool. They're specifically designed to spot cool your larger work areas with multiple cooling ducts.

From overheated factories and warehouses to outdoor events, these large-capacity MovinCool models spot cool just the workers or the areas that need it. Providing up to 60,000 BTU/h of air conditioning, the MovinCool Classic 40 and 60 provide instant cooling relief wherever and whenever you need it.

Features/Benefits

- Up to 60,000 BTU/h of cool air – Maximum spot-cooling BTU/h provides cool air to larger work areas.
- Multiple cooling ducts – Add multiple drop ducts to cool each worker or separate work areas.
- Versatile – A wide array of ducting options for custom-cooling configurations.
- Rugged design – Performs in the harshest environments.
- Handles extreme temperatures – Operates in temperatures ranging from 75°F to 115°F.
- Totally self-contained – All-in-one design makes operation virtually maintenance free.



General Data – Product

Classic Specifications

	MovinCool PN Trane PN	Classic 10 UNT00863	Classic 18 UNT00864	Classic 40 UNT00865	Classic 60 UNT00866
Electronic Features	Control Panel Thermostat Control	Mechanical Mechanical	Mechanical Mechanical	Mechanical Mechanical	Mechanical Mechanical
Cooling Capacity	Rating conditions 95°F at 60% rh	10,000 Btu/h	18,000 Btu/h	39,000 Btu/h	60,000 Btu/h
Electrical Characteristics	Voltage Requirement Total Power Consumption Current Consumption Recommended Fuse Size NEMA Plug Configuration Min-Max. Voltage	1 Phase, 115v 1.1 kW 10.6 Amps 15 Amps 5-15 104-126	1 Phase, 208/230V 2.1 kW 10.8/10.0 Amps 15 Amps 6-15 187-253	3 Phase, 220V 4.7 kW 14 Amps 25 Amps L15-30 187-253	3 Phase, 460V 7.2 kW 10.5 Amps 20 Amps N/A 440-480
Fans	Motor Output - high/low (Where Applicable)	0.14 kW	0.35 kW	0.75 kW Evap 0.40 kW Cond.	0.75 kW Evap 0.40 kW Cond.
Evaporator	Fan Type Max. Air Flow - high/low Max. External Static Pressure	Centrifugal 270 CFM 0.33 IWG	Centrifugal 530 CFM 0.52 IWG	Centrifugal 1060 CFM 1.72 IWG	Centrifugal 1580 CFM 1.35 IWG
Condenser	Fan Type Max. Air Flow - high/low Max. External Static Pressure	Centrifugal 740 CFM 0.13 IWG	Centrifugal 1180 CFM 0.25 IWG	Propeller 2650 CFM 0.05 IWG	Propeller 3800 CFM 0.05 IWG
Compressor	Type Output	Hermetic Rotary 0.6 kW	Hermetic Rotary 1.1 kW	Hermetic Reciprocal 2.2 kW	Hermetic Reciprocal 3.75 kW
R-22 Charge		1.15 lbs	1.59 lbs	4.4 lbs	5.9 lbs
Dimensions	WxDxH	19 x 26 x 41 in	19 x 26 x 41 in	26 x 43 x 39 in	32 x 49 x 42 in
Net Weight/ Shipping Weight		145/170 lbs	167/200 lbs	353/420 lbs	463/545 lbs
Power Cord	Gauge Length	14 AWG (3-core) 6 ft.	14 AWG (3-core) 6 ft.	12 AWG (4-core) 6 ft.	12 AWG (4-core*) N/A
Condensate Tank Capacity		5 gal.	5 gal.	2@ 5 gal (optional)	N/A
Operating Conditions	Min-Max. (50% rh)	68-105°F	68-105°F	75-115°F	75-115°F
Max. Duct Length	Per Cold Duct Hose Hot Duct Hose	40 ft. 60 ft.	50 ft. 60 ft.	Varies (Max. 65 ft.) 40 ft.	Varies (Max. 65 ft.) 40 ft.
Max. Sound Level	With Condenser Duct - high/low Without Condenser Duct - high/low	55 dB 58 dB	63 dB 67 dB	N/A 72 dB	N/A 72 dB

Note:

All specifications subject to change without notice. Standard warranty includes 12 months on the entire unit.
 All models are UL listed and feature compressor overload relay and fan motor protection. All models also feature compressor short-cycle protection, return air thermostat, automatic restart and accommodate a condensate pump kit.
 All models are 50 hertz (Hz) compatible with a slight performance decrease from specifications listed above.
 * This model does not come with a power cord. To hard wire the unit, use the specified wire gauge.



DENSO SALES CALIFORNIA, INC.
 REGISTERED TO ISO 9002
 FILE NO. A5537



General Data – Product

Classic Plus 14



Classic Plus 26



MovinCool Classic Plus Series

The MovinCool Classic Plus series has all of the benefits of the proven Classic series plus new features designed to increase performance and control. They include a digital temperature controller to set the desired temperature, a two-speed fan for more control over the airflow and more spot-cooling power than ever before. The Classic Plus is perfect for light industrial, building maintenance and process cooling applications.

From production lines and manufacturing processes to injection molding and metal forming, the MovinCool Classic Plus can spot cool even your hottest environments. Simply wheel it in, plug it in and it goes to work instantly, providing up to 24,000 BTU/h of air conditioning wherever and whenever you need it.

Features/Benefits

- Digital temperature controls – Easy-to-use digital controls let you set the desired temperature.
- Up to 24,000 BTU/h of cool air – Maximum spot-cooling BTU/h provides cool air to just the spots that need it.
- Economical – Costs as little as 10 cents per hour to run.
- Two-speed fan – Adjusts the airflow to meet your specific cooling needs.
- Handles extreme temperature – Operate in temperatures ranging from 70 to 115°F.
- Condensation overflow control – Prevents overflow when condensation builds up.
- Totally self-contained – All-in-one design makes operations virtually maintenance free.
- No costly installation needed – Simply roll it in, plug it in and turn it on.



General Data – Product

Classic Plus Specifications

	MovinCool PN Trane PN	Classic Plus 14 UNT00861	Classic Plus 26 UNT00862
Electronic Features	Control Panel Thermostat Control	Electronic Electronic	Electronic Electronic
Cooling Capacity	Rating conditions 95°F at 60% rh	13,200 Btu/h	24,000 Btu/h
Electrical Characteristics	Voltage Requirement Total Power Consumption Current Consumption Recommended Fuse Size NEMA Plug Configuration Min-Max. Voltage	1 Phase, 115V 1.3 kW 12.3 Amps 15 Amps 5-15 104-125	1 Phase, 208/230V 3.1 kW 15.6/14.0 Amps 20 Amps L6-20 187-253
Fans	Motor Output - high/low (Where Applicable)	0.24/0.19 kW	0.55/0.38 kW
Evaporator	Fan Type Max. Air Flow - high/low Max. External Static Pressure	Centrifugal 440/380 CFM 0.31 IWG	Centrifugal 708/600 CFM 0.54 IWG
Condenser	Fan Type Max. Air Flow - high/low Max. External Static Pressure	Centrifugal 880/760 CFM 0.19 IWG	Centrifugal 1680/1460 CFM 0.25 IWG
Compressor	Type Output	Hermetic Rotary 0.8 kW	Hermetic Scroll 1.6 kW
R-22 Charge		1.5 lbs	1.87 lbs
Dimensions	WxDxH	19 x 26 x 41 in.	19 x 29 x 47 in.
Net Weight/Shipping Weight		153/195 lbs	235/265 lbs
Power Cord	Gauge Length	14 AWG (3-core) 10 ft.	12 AWG (3 core) 6 ft.
Condensate Tank Capacity		5 gal.	5 gal.
Operating Conditions	Min-Max. (50% rh)	70-115°F	70-115°F
Max. Duct Length	Per Cold Duct Hose Hot Duct Hose	30 ft. 60 ft.	60 ft. 45 ft.
Max. Sound Level	With Condenser Duct - high/low Without Condenser Duct - high/low	57/55 dB 60/58 dB	66/64 dB 69/67 dB

Note:

All specifications subject to change without notice. Standard warranty includes 12 months on the entire unit.

All models are UL listed and feature compressor overload relay and fan motor protection. All models also feature compressor short-cycle protection, return air thermostat, automatic restart and accommodate a condensate pump kit.

All models are 50 hertz (Hz) compatible with a slight performance decrease from specifications listed above.



DENSO SALES CALIFORNIA, INC.
REGISTERED TO ISO 9002
FILE NO. A5537



General Data – MovinCool Accessories

MovinCool Accessories

The portability and all-in-one design of MovinCool air conditioners make them the ideal cooling solution for virtually all heat-related problems. Using the optional accessories not only gives you the ability to customize the cooling application, but also makes the unit work more efficiently. In this guide, we've grouped the accessories into the most commonly used applications such as cooling multiple areas with one unit, automatically removing condensate, and adding a remote control. The possibilities are endless. And with genuine MovinCool accessories, you are assured of quality parts engineered and designed specifically to gain optimum performance from your MovinCool portable air conditioner.

Things to consider when choosing your MovinCool Accessories

Warm Air Exhaust

All air-cooled units produce more hot air than cool air. If the cool air is ducted into an area, then warm air is not a problem. If the MovinCool is located within or close to the area being cooled, the warm air should be exhausted away from the area.

Condensate

Like most air conditioners, MovinCool not only cools the air, but also dehumidifies. The dehumidification process produces condensation, which collects in a tank at the base of the unit. The tank can be drained manually or by using the pump kit for automatic removal.

Make-up Air

When you attach the warm air duct, you are removing air from the room. Thus, air to the condenser will be replaced with air from surrounding areas. In most portable air conditioning applications, this situation is perfectly acceptable. And in some cases, this application may even improve or assist in cooling the area. However, an air plenum is recommended when the air outside the room is too hot or has too many impurities, or if the room is too airtight, which can negatively effect the performance of the unit.

General Data – Office Pro Accessories

Figure 1. Office Pro accessories

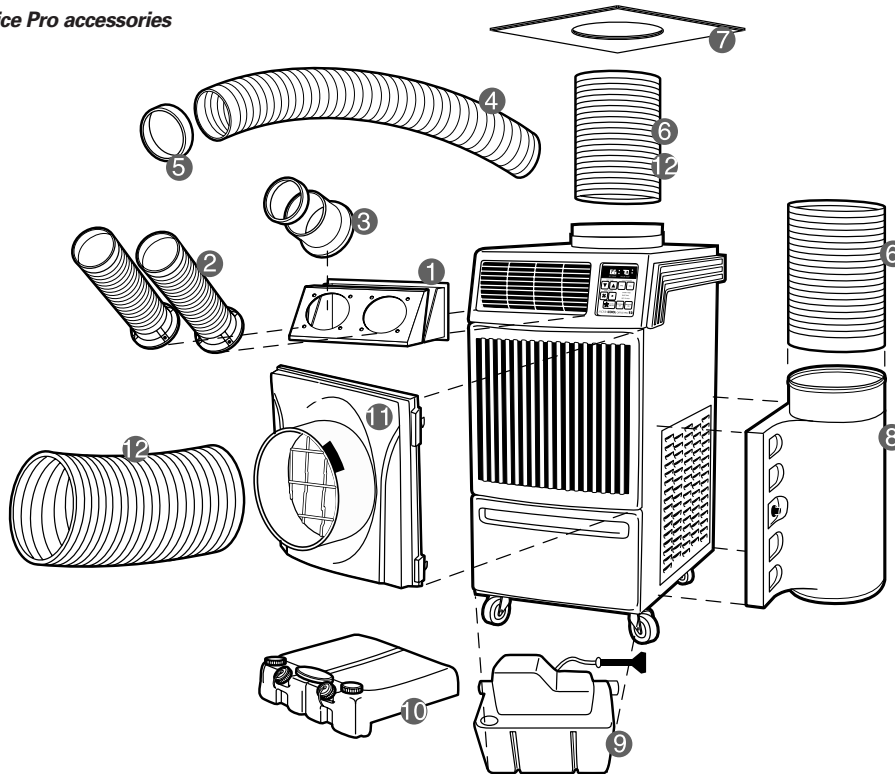


Figure 1. Part descriptions

Reference No.	Part Name	Description
1	Nozzle Adapter	Two-piece metal frame converts airflow from louvers to nozzles or cold air ducts. Includes mounting screws. (Nozzles and ducts sold separately.)
1	Duct Adapter	Same as above, but for use with cold air flexible ducts. Includes flange. Use on Office Pro 60 only. (Cold air flexible ducts sold separately.)
2	Nozzle	5" or 6" diameter white plastic nozzle that extends up to 3 1/2' in length. Includes flange, mounting screws and trim ring.
3	Cold Air Flange	5" or 6" diameter white metal flange with wire clamp and mounting screws. Use with cold air ducts.
4	Cold Air Self-Supported Duct	5", 6" or 8" adjustable diameter, white PVC duct that extends from 6 1/2" to 10' in length.
4	Cold Air Flexible Duct	8" diameter wire-reinforced, accordion-style duct in 25' lengths.
5	Trim Ring	5" or 6" diameter black end-cap for coil air self-supported duct.
6	Warm Air Self-Supported Duct	12" diameter white, PVC plastic duct that extends 6 1/2' to 10' in length. (For Office Pro 12, 18 and 24 only)
12a	Warm Air Flexible Duct Kit	16" diameter wire-reinforced, accordion-style duct for condenser exhaust or evaporator intake. Includes clamp. (For Office Pro 60 only)
12b	Warm Air Flexible Duct Kit	(2) 6" dia. wire reinforced, accordion-style ducts for condenser exhaust or evaporator intake. (For Office Pro 10 only)
7a	Ceiling Tile	24" X 24" white tile with 12" hole for warm air self-supported duct. (For Office Pro 12, 18 or 24 only)
7b	Ceiling Tile	24" X 24" white tile with 2-6" holes for warm air exhaust ducts. (Office Pro 10 only) Not shown above.
8	Condenser Air Plenum	White plastic plenum for return air to condenser. Hinged for filter cleaning.
9	Condensate Pump Kit	110V or 220V pump kit includes 3/8" diameter X 20' length clear vinyl hose and installation hardware.
10	Condensate Tank	Drain tank storage for condensation. Requires condensate float, sold separately. (For Office Pro 60 only)
	Condensate Float (Not shown)	Controls water level in condensate tanks. (For Office Pro 60 only)
11	Evaporator Air Plenum	White plastic Plenum for return air to evaporator. (For Office Pro 60 only)
	Caster Swivel Locks (Not Shown)	Locks swivel on rear casters for improved maneuverability of Office Pro 60. Sold in sets of two. (MovinCool part number LAY46521-0020) Trane Part Number LOK00032
13	Remote Control	Full function remote control for greater control and convenience (for Office Pro 10 only) Not shown above.



General Data – Office Pro Accessories

Auto Condensate Removal

Why bother emptying the drain tank when you can install a condensate pump to remove the water automatically? This pump has an 18-ft. lift capacity to reach virtually any remote drain.



Auto Condensate Removal		Office Pro 10		Office Pro 12		Office Pro 18		Office Pro 24		Office Pro 60	
Figure 1 Reference No.	Part Name	Trane Part Number	MovinCool Part Number	Trane Part Number	MovinCool Part Number	Trane Part Number	MovinCool Part Number	Trane Part Number	MovinCool Part Number	Trane Part Number	MovinCool Part Number
9	Condensate Pump Kit	PMP01638	CPK7	PMP01588	CPK3	PMP01588	CPK3	PMP01590	CPK5	N/A	Included
10	Condensate Tank	N/A	Included	N/A	Included	N/A	Included	N/A	Included	TNK00865	484730-0010
N/A	Condensate Float (Not Shown)	N/A	N/A	N/A	N/A	N/A	N/A	N/A	N/A	FLT00006	484460-0010

Condenser Air Removal

MovinCool makes removing exhaust easy. Simply replace the existing ceiling tile with the MovinCool ceiling tile accessory. Place the self-supporting flexible duct on top of the unit and insert it into the ceiling tile. That's all it takes.



Condenser Air Removal		Office Pro 10		Office Pro 12		Office Pro 18		Office Pro 24		Office Pro 60	
Figure 1 Reference No.	Part Name	Trane Part Number	MovinCool Part Number	Trane Part Number	MovinCool Part Number	Trane Part Number	MovinCool Part Number	Trane Part Number	MovinCool Part Number	Trane Part Number	MovinCool Part Number
6	Warm Air Self-Supported Duct	N/A	N/A	DUC01043	481744-0060	DUC01043	481744-0060	DUC01043	481744-0060	N/A	N/A
12	Warm Air Flexible Duct Kit	N/A	Included	N/A	N/A	N/A	N/A	N/A	N/A	DUC01050	LAY45820-0010
7	Ceiling Tile	PLT03778	LAY45771-0110	PLT03642	LA146373-8280	PLT03642	LA146373-8280	PLT03642	LA146373-8280	N/A	N/A

General Data – Office Pro Accessories

Make-Up Air

When balanced airflow is required, attach the air plenum with a duct from the side of the unit to an outside air source. The air to the condenser is pulled from outside the room to eliminate problems associated with negative air pressure.



Make-up Air		Office Pro 10		Office Pro 12		Office Pro 18		Office Pro 24		Office Pro 60	
Figure 1 Reference	Part	Trane Part Number	MovinCool Part Number	Trane Part Number	MovinCool Part Number	Trane Part Number	MovinCool Part Number	Trane Part Number	MovinCool Part Number	Trane Part Number	MovinCool Part Number
6	Warm Air Self-Supported Duct	N/A	N/A	DUC01043	481744-0060	DUC01043	481744-0060	DUC01043	481744-0060	N/A	N/A
12	Warm Air Flexible Duct Kit	N/A	Included	N/A	N/A	N/A	N/A	N/A	N/A	DUC01050	LAY45820-0010
7	Ceiling Tile	PLT03778	LAY45771-0110	PLT03642	LA146373-8280	PLT03642	LA146373-8280	PLT03642	LA146373-8280	N/A	N/A
8	Condenser Air Plenum	N/A	Included	KIT07909	LAY84270-0010	KIT07909	LAY84270-0010	KIT07913	LAY84270-0050	KIT07914	LAY84270-0060

Spot or Remote Area Cooling

To use the Office Pro to spot cool specific areas, use the nozzle adapter in place of the standard louvers. Attach cold air extension ducts to the nozzles to cool remote hot spots. Trim rings give a finished look and keep the ducts from unraveling. To improve efficiency, use the evaporator air plenum to recirculate cool air.



Spot or Remote Cooling		Office Pro 10		Office Pro 12		Office Pro 18		Office Pro 24		Office Pro 60	
Figure 1 Reference	Part	Trane Part Number	MovinCool Part Number	Trane Part Number	MovinCool Part Number	Trane Part Number	MovinCool Part Number	Trane Part Number	MovinCool Part Number	Trane Part Number	MovinCool Part Number
1	Nozzle Adapter	N/A	N/A	ADP00978	LA481769-0170	ADP00978	LA481769-0170	NOZ00817	LAY84209-0010	ADP00979	LAY45770-0070(6")
1	Duct Adapter	N/A	N/A	N/A	N/A	N/A	N/A	N/A	N/A	ADP00980	LAY45770-0080(8")
2	Nozzle	N/A	N/A	NOZ00816	484209-0190	NOZ00818	484209-0190	DUC01046	484209-0050	DUC01046	484209-0050(6")
3	Cold Air Flange	N/A	N/A	FLG01055	481170-0180	FLG01055	481170-0180	FLG01058	481170-0250	FLG01058	481170-0250(6")
4	Cold Air Self-Supported Duct	N/A	N/A	DUC01044	481744-0090	DUC01044	481744-0090	DUC01041	481744-0030	DUC01041	481744-0030(6")
										DUC01047	LA-146499-0320(8")
4	Cold Air Flexible Duct	N/A	N/A	N/A	N/A	N/A	N/A	N/A	N/A	DUC01049	LAY45810-0030(8")
5	Trim Ring	N/A	N/A	RNG01760	481851-0200	RNG01760	481851-0200	RNG01761	481851-0210	RNG01761	481851-0210(6")
11	Evaporator Air Plenum	N/A	Included	N/A	N/A	N/A	N/A	N/A	N/A	KIT07915	LAY84270-0070
13	Remote Control	CNT03770	LAY13090-0010	N/A	N/A	N/A	N/A	N/A	N/A	N/A	N/A

General Data – Classic/Classic Plus Accessories

Figure 2. Classic/Classic Plus accessories (Classic 10, Classic 18, Classic Plus 14 and Classic Plus 26)

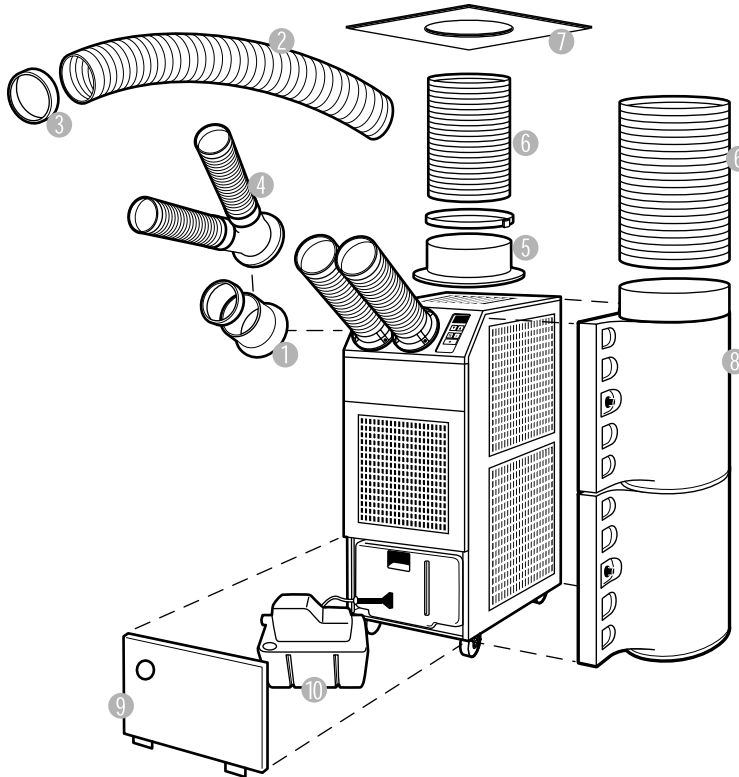


Figure 2. Part descriptions

Reference No.	Part Name	Description
1	Cold Air Flange	5" or 6" diameter white metal flange with wire clamp and mounting screws.
2	Cold Air Extension Duct	5" or 6" diameter white plastic duct that extends from 6 1/2' to 10' in length.
3	Trim Ring	5" or 6" diameter black plastic ring mounts as end caps for extension ducts.
4	Dual Duct	5" diameter white plastic flange with two 4' nozzles that extend to 3 1/2' in length.
5	Warm Air Flange	12" diameter gray metal flange with wire clamp and mounting screws.
6	Warm Air Duct	12" adjustable diameter white plastic duct that extends from 6 1/2' to 10' in length.
7	Ceiling Tile	24" X 24" white tile with 12" hole for warm air duct.
8	Air Plenum	White plastic plenum, hinged for filter cleaning.
9	Cover Plate	Blue metal plate covers condensate collection area.
10	Condensate Pump Kit	110V or 220V pump kit includes 3/8" diameter X 20' length hose and installation hardware.

General Data – Classic/Classic Plus Accessories

Auto Condensate Removal

Why bother with emptying the drain tank when you can install a condensate pump to remove the water automatically? This pump has an 18-ft. lift capacity to reach virtually any remote drain. With the condensate pump installed, drainage is automatic and access to the compartment is no longer necessary. A cover plate can then be added to conceal and protect the pump.



Auto Condensate Removal		Classic 10		Classic 18		Classic Plus 14		Classic Plus 26	
Figure 2 Reference No.	Part Name	Trane Part Number	MovinCool Part Number	Trane Part Number	MovinCool Part Number	Trane Part Number	MovinCool Part Number	Trane Part Number	MovinCool Part Number
9	Cover Plate	COV03325	484009-0480	COV03325	484009-0480	COV03325	484009-0480	COV03325	484009-0480
10	Condensate Pump Kit	PMP01587	CPK2	PMP01586	CPK1	PMP01588	CPK3	PMP01589	CPK4

Condenser Air Removal

To exhaust the warm condenser air above the work area, attach the warm air flange and duct to the top of the unit. When using MovinCool inside an office, simply replace the ceiling tile with the MovinCool ceiling tile and insert the duct to exhaust the warm air. No special tools or equipment are required for the installation.



Condenser Air Removal		Classic 10		Classic 18		Classic Plus 14		Classic Plus 26	
Figure 2 Reference No.	Part Name	Trane Part Number	MovinCool Part Number	Trane Part Number	MovinCool Part Number	Trane Part Number	MovinCool Part Number	Trane Part Number	MovinCool Part Number
5	Warm Air Flange	FLG01056	481170-0190	FLG01056	481170-0190	FLG01056	481170-0190	FLG01056	481170-0190
6	Warm Air Duct	DUC01043	481744-0060	DUC01043	481744-0060	DUC01043	481744-0060	DUC01043	481744-0060
7	Ceiling Tile	PLT03642	LA146373-8280	PLT03642	LA146373-8280	PLT03642	LA146373-8280	PLT03642	LA146373-8280

General Data – Classic/Classic Plus Accessories

Make-up Air

When balanced airflow is required, attach the air plenum with a duct from the side of the unit to an outside air source. The air to the condenser is pulled from outside the room to eliminate problems associated with negative air pressure.



Make-up Air		Classic 10		Classic 18		Classic Plus 14		Classic Plus 26	
Figure 2 Reference No.	Part Name	Trane Part Number	MovinCool Part Number	Trane Part Number	MovinCool Part Number	Trane Part Number	MovinCool Part Number	Trane Part Number	MovinCool Part Number
6	Air Duct	DUC01043	481744-0060	DUC01043	481744-0060	DUC01043	481744-0060	DUC01043	481744-0060
7	Ceiling Tile	PLT03642	LA146373-8280	PLT03642	LA146373-8280	PLT03642	LA146373-8280	PLT03642	LA146373-8280
8	Air Plenum	KIT07912	LAY84270-0040	KIT07910	LAY84270-0020	KIT07910	LAY84270-0020	KIT07911	LAY84270-0030

Remote Cooling

The amount of air supplied to remote areas can be quickly and conveniently increased by attaching 10-ft. extension ducts directly over the standard ducts. For more permanent installations, use the flange and clamp to secure the extension ducts to the unit. Each duct can be extended 30 to 60 feet from the unit, depending on the model. Add trim rings to the end of the extension ducts to give a finished look and keep the ducts from unraveling. The dual duct accessory can be used to divide each 5-inch nozzle opening into two 4-inch outlets to multiply your cooling options.



Remote Cooling		Classic 10		Classic 18		Classic Plus 14		Classic Plus 26	
Figure 2 Reference No.	Part Name	Trane Part Number	MovinCool Part Number	Trane Part Number	MovinCool Part Number	Trane Part Number	MovinCool Part Number	Trane Part Number	MovinCool Part Number
1	Cold Air Flange	FLG01055	481170-0180	FLG01055	481170-0180	FLG01055	481170-0180	FLG01058	481170-0250
2	Extension Duct	DUC01044	481744-0090	DUC01044	481744-0090	DUC01044	481744-0090	DUC01041	481744-0030
3	Trim Ring	RNG01760	481851-0200	RNG01760	481851-0200	RNG01760	481851-0200	RNG01761	481851-0210
4	Dual Duct	DUC01045	484209-0030	DUC01045	484209-0030	DUC01045	484209-0030		N/A

General Data – Classic 40/60 Accessories

Figure 3. Classic 40/Classic 60 accessories

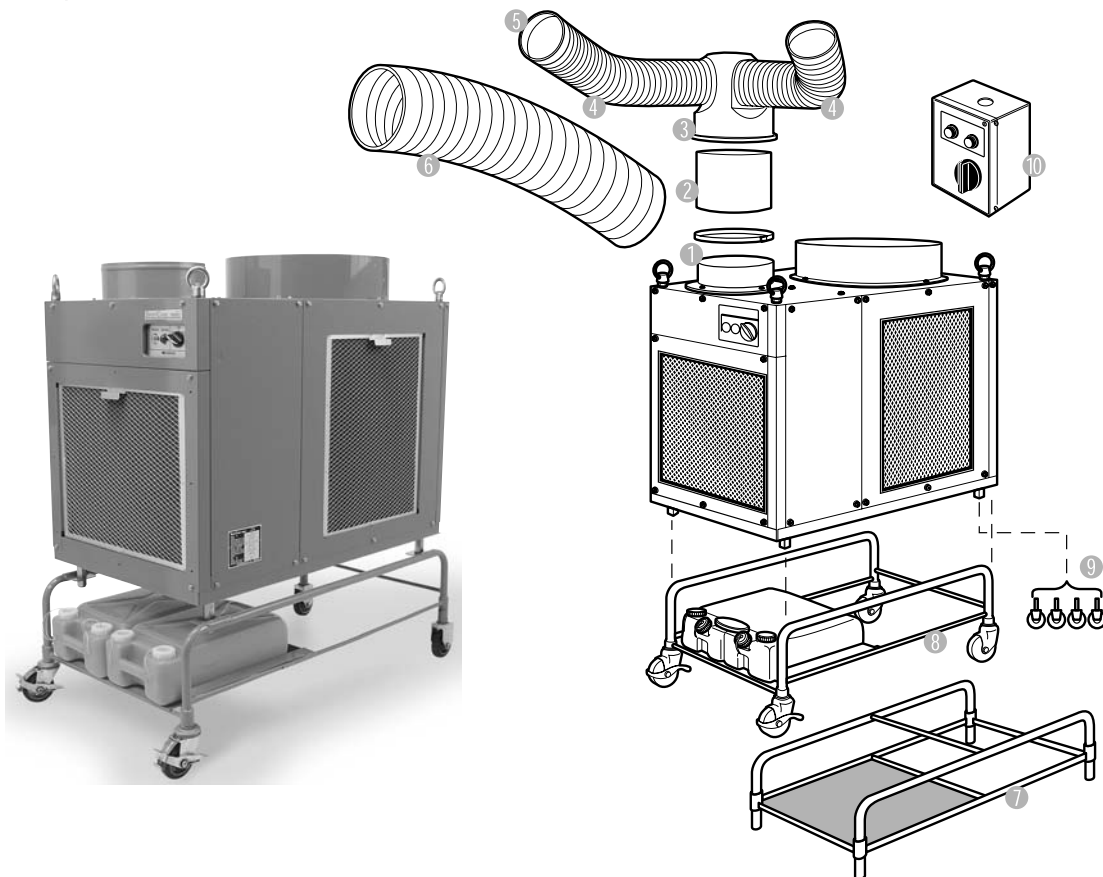


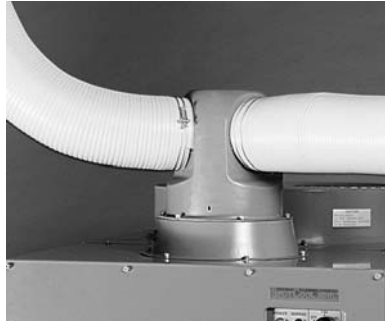
Figure 3. Part descriptions

Reference No.	Part Name	Description
1	Cold Air Flange	12" diameter gray metal flange with wire clamp and mounting screws.
2	Chamber Extender Chamber Extender Flange (not shown)	Gray metal cylinder raises exhaust air chamber 16" above unit Gray metal flange connects chamber extender to unit.
3	Two-way Chamber Three-way Chamber (not shown) Reducer Flange (not shown)	Insulated gray plastic chamber diverts airflow in two directions. Use 6" extension ducts. Diverts airflow in three directions. Use 6" extension ducts. Gray metal flange converts mounting holes on Classic 60 for two or three-way chamber and chamber extender flange.
4	Extension Duct	6" adjustable diameter white plastic duct that extends from 6 1/2' to 10' in length.
5	Trim Ring	6" diameter black plastic end cap for extension duct.
6	Extension Duct	12" adjustable diameter white plastic duct that extends from 6 1/2' to 10' in length.
7	Stand Kit	Blue metal, tubular frame raises unit off the ground. Available for Classic 40 only.
8	Wagon Kit	Blue metal, tubular frame with four casters, drain spout assembly and two 5-gal. condensate tanks. Available for Classic 40 only.
9	Caster Kit	Four casters and wrench.
10	Remote Control Kit	Kit includes remote control box and installation hardware. Use six 18AWG plus one ground wire (wire not included).

General Data – Classic 40/60 Accessories

Multiple or Remote area cooling

Cooling several hot spots is not a problem with the two or three-way chamber. Extension ducts in 10-ft sections can be used to bring cooling to remote or different locations. Attach trim rings at the end of the extension ducts to give a finished look and keep the ducts from unraveling.



Multiple or Remote Area Cooling		Classic 40		Classic 60	
Figure 3 Reference No.	Part Name	Trane Part Number	MovinCool Part Number	Trane Part Number	MovinCool Part Number
1	Cold Air Flange	FLG01056	481170-0190	FLG01056	481170-0190
2	Chamber Extender	CHB00160	481849-1431	CHB00160	481849-1431
	Chamber Extender Flange	FLG01053	481170-0090	FLG01053	481170-0090
3	Two-way Chamber	CHB00158	481769-0041	CHB00158	481769-0041
	Three-way Chamber (not shown)	CHB00159	481769-0051	CHB00159	481769-0051
	Reducer Flange		N/A	FLG01054	481170-0150
4	Extension Duct (6-inch)	DUC01041	481744-0030	DUC01041	481744-0030
5	Trim Ring	RNG01761	481851-0210	RNG01761	481851-0210
6	Extension Duct (12-inch)	DUC01043	481744-0060	DUC01043	481744-0060

Remote Control

When the unit is installed in a remote location, such as outdoors or overhead, use the remote control to allow convenient access to controls. The kit includes the operational control, a cover plate to prevent tampering with controls, and installation hardware. Use six 18AWG plus one ground wire to connect the control to the unit (wire not included).



Remote Control		Classic 40		Classic 60	
Figure 3 Reference No.	Part Name	Trane Part Number	MovinCool Part Number	Trane Part Number	MovinCool Part Number
10	Remote Control Kit	CNT03694	484500-0430	CNT03694	484500-0430

General Data – Classic 40/60 Accessories

Portability

To allow portability of these high-capacity MovinCool units, use the roller kit or the wagon kit. The stand kit provides proper ground clearance for permanent exterior installations.



Portability		Classic 40		Classic 60	
Figure 3 Reference No.	Part Name	Trane Part Number	MovinCool Part Number	Trane Part Number	MovinCool Part Number
7	Stand Kit	KIT07918	484750-0020		N/A
8	Wagon Kit	KIT07917	484710-0020		N/A
9	Caster Kit	KIT07916	484709-0011	WHL02263	484709-0020



Trane
A business of American Standard Companies
www.trane.com

For more information contact your local district office or e-mail us at comfort@trane.com



Literature Order Number	RSP-PRC015-EN
File Number	PL-SP-RSP-PRC015-0603
Supersedes	RSP-PRC015-EN 1102
Stocking Location	Inland

Trane has a policy of continuous product and product data improvement and reserves the right to change design and specifications without notice.