



Product Catalog

LPCQ

LPCQ 003-040

2,000~38,000m³/h



Features

LPCQ is a new series of air handling units developed by TRANE on the basis of years of experience, with the air volume range of 2000-38000 CMH. It adopts double skin panel, reasonable structure, beautiful appearance, superior performance and reliable quality. This product can be widely used in retail, shopping mall, office, hotel, theater, airport and institutions.

Casing

The casing is composed of frame and double panel. The outer panel is made of high-quality coated galvanized sheet, which has the advantages of anti-corrosion and long service life. The inner panel is galvanized steel, and the interlayer is filled with high-density polyurethane foam, which does not produce CFC at all, and the potential consumption of ozone layer is zero. The double deck panel not only has good heat preservation performance, but also has sound absorption and noise reduction function. It has high rigidity and strength, and is easy to clean. There are two different thickness options of 25mm and 50mm.

Fan and Motor

The fan is a low noise centrifugal fan with double wide distance and double side air intake, and the bearing is permanently sealed and lubricated. After dynamic balance treatment, the fan impeller runs stably with low noise. Complete the assembly of fan, motor and drive belt in the factory to ensure the belt tightness is appropriate. The motor is equipped with IE2 motor as standard, and IE3 high efficiency motor is selected. It has high efficiency, large starting torque, small vibration and excellent performance. Each model can be equipped with different power motors to meet the requirements of various air volume and external static pressure.

Coil

Coil is used high quality copper tube and aluminum fin. Through mechanical expansion method, the copper tube is closely connected with the fin to ensure maximum heat exchange efficiency. The coil is tested under 2.5MPa (363psig) pressure and has high pressure resistance. The arrangement sequence of cooling coil and heating coil can be flexibly arranged according to the actual requirements. It can prevent the coil from freezing crack in winter.

Filter

The pre-filter is a 1 "plate filter, which uses synthetic fiber, and has the characteristics of low resistance and high filtration efficiency. The installation mode is external side sliding type, which is convenient for replacement and convenient for users to disassemble and clean. For places with higher requirements, medium efficiency plate, cartridge and bag filters can also be added. The highest filtration efficiency can reach F9 level, which is an ideal choice for some places with purification requirements.

Model Number Descriptions

L P C Q 0 0 3 H 3 H 0 4 L 1 G 4 0 N 0 N N 3
 1 2 3 4 5 6 7 8 9 10 11 12 13 14 15 16 17 18 19 20 21 22

Digit 1-4 Model Name
LPCQ

Digit 5-7 Model Size
003, 004, 006, 008, 010, 012, 014, 016
020, 025, 030, 035, 040 (Total 13 models)

Digit 8 Model Type
H = Horizontal
V = Vertical
(The model size of Vertical type is 003~020)

Digit 9 Unit Insulation
3 = 25mm 4 = 50mm

Digit 10 Airflow Code
L = Low H = High

Model Size		003	004	006	008	010	012	014
Airflow (CMH)	L	2000	3000	5000	7000	9000	11000	13000
	H	2500	4000	6000	8000	10000	12000	14000

Model Size		016	020	025	030	035	040
Airflow (CMH)	L	15000	18000	21000	24000	30000	36000
	H	16000	20000	23000	27000	33000	38000

Digit 11,12 ESP
01 = 50Pa 02 = 100Pa 03 = 150Pa 04 = 200Pa
05 = 250Pa 06 = 300Pa 07 = 350Pa 08 = 400Pa
09 = 450Pa 10 = 500Pa 11 = 550Pa 12 = 600Pa
13 = 650Pa 14 = 700Pa

Digit 13 Coil Connection^[1]
L = Left R = Right

Digit 14 Fan Arrangement
1 = Front-TOP 2 = Front-Bottom 3 = Top-Front
4 = Top-Back 9 = Back-Top (Only Vertical)
5 = Front-TOP+Plug-in PCO 6 = Front-Bottom+Plug-in PCO
7 = Top-Front+Plug-in PCO 8 = Top-Back+Plug-in PCO
A = Back-Top (Only Vertical)+Plug-in PCO

Digit 15 Drain Pan
G = Galvanized Steel S = Stainless Steel

Digit 16 Coil1 (According to the order of airflow)
H = 4Row(w/o Turb) K = 6Row(w/o Turb)
S = 4Row(w/ Turb) U = 6Row(w/ Turb)

Digit 17 Coil2 (According to the order of airflow)
0 = None

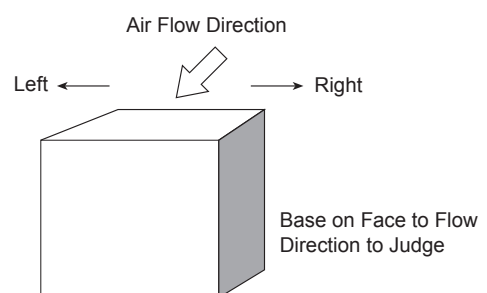
Digit 18 Humidifier1
N = None

Digit 19 Humidifier2
0 = None

Digit 20 Filter Option
A = 1" Plate G3 + 4" Catridge F6
B = 1" Plate G3 + 4" Catridge F7
C = 1" Plate G3 + 4" Catridge F8
D = 1" Plate G3 + 2" Plate F5
N = 1" Plate G3
E = 1" Plate G3 + 10" Bag F5
F = 1" Plate G3 + 10" Bag F6
G = 1" Plate G3 + 10" Bag F7
H = 1" Plate G3 + 10" Bag F8
J = 1" Plate G3 + 10" Bag F9
M = 10mm Plate Al. + HES
U = 2" Plate G4 + HES
P = 10mm Plate Al. + PCO
Q = 2" Plate G4 + PCO

Digit 21 Mixing Box Option
S = Intake w/ Top Opening, Damper
H = Intake w/ Back Opening, Damper
D = Mixing w/ Top & Back Opening, Damper
N = No Mixing Box
K = Intake w/ Top Opening, Flange
F = Intake w/ Back Opening, Flange
B = Mixing w/ Top & Back Opening, Flange

Digit 22 Motor Option
2 = IE2 Motor
3 = IE3 Motor



Note: 1. Definition of unit direction: Staying opposite to air flow direction, the unit is defined as left if coil connection & service door is located on the left.



General Specification

Model		003		004		006		008		010		012		014	
Nominal Airflow		2000	2500	3000	4000	5000	6000	7000	8000	9000	10000	11000	12000	13000	14000
Fan Max TSP		1166		815		990		832		894		821		864	
Cooling Capacity (Return air condition)	4 Row	11.6	13.3	17.8	21.1	30.6	34.1	45	48.9	50.6	54.3	62.3	65.8	73.3	76.5
	6 Row	15.2	17.8	23.1	28.1	39.3	44.6	49.5	54.6	58.9	63.9	65.9	70.9	82.5	87.3
Cooling Capacity (Fresh air condition)	4 Row	28.2	32.4	42.2	50.1	71.4	79.7	104	113.1	126.3	135.1	152.1	160.5	172.6	180.2
	6 Row	35	41.2	52.3	64.1	88.2	100.6	118.9	131	148.3	159.9	175.6	186.7	208.4	219.5
Coil Parameter	Type	Copper-1/2" OD and Aluminum Fin													
	Work Pressure	1.6 Mpa													
Water Inlet/ Outlet Connection Size (Steel)	4 Row	1-1/2"		1-1/2"		2"		2"		2"		2"		2-1/2"	
	6 Row	1-1/2"		1-1/2"		2"		2"		2-1/2"		2-1/2"		2-1/2"	
Fan	Type	High Efficiency Centrifugal Housed Fan, FC / BC													
	Drive	Belt Drive													
	Outlet Direction	Horizontal Discharge / Top Discharge													
Motor	Power	380V / 3Ph / 50Hz													
	Type	4 Poles, Class F Insulation, IP55 Protection Grade, TEFC IEC Standard Inducting Motor													
	Min Size	0.37		0.55		1.1		1.5		1.5		3		2.2	
	Max Size	1.5		2.2		3		4		5.5		5.5		7.5	
Filter	Efficiency/Thickness	1" Plate (G3)/ 2" Plate (F5)/ 4" Cartridge (F6,F7,F8)/ 10" Bag (F5,F6,F7,F8,F9)													
Casing	Materials	Sandwich Panel with High Density Polyurethane Foam													
	Insulation	25mm / 50mm													
Unit Width	25mm	853		1008		1163		1318		1628		1783		1938	
	50mm	903		1058		1213		1368		1678		1833		1988	
Unit Height	Vertical-25mm	1459		1459		1769		1924		1924		1924		1924	
	Vertical-50mm	1534		1534		1844		1999		1999		1999		1999	
	Horizontal-25mm	761		761		916		1071		1071		1071		1071	
	Horizontal-50mm	786		786		941		1096		1096		1096		1096	
Unit Weight	Vertical-4 Rows	168		190		247		298		368		412		485	
	Vertical-6 Rows	175		198		274		324		396		442		510	
	Horizontal-4 Rows	153		173		218		266		332		375		431	
	Horizontal-6 Rows	160		181		245		292		360		404		456	

Note: 1. Return Air Condition: Entering air condition 27°C DB/19.5°C WB, Chilled water temperature: Entering 7°C and Leaving 12°C.
 2. Fresh Air Condition: Entering air condition 34°C DB/28°C WB, Chilled water temperature: Entering 7°C and Leaving 12°C.
 3. BC fan is adopted for LPCQ025 and above units with high pressure.
 4. Unit weight is as below configuration, Pre-filter + Cooling Coil + Fan/Motor

Model		016		020		025		030		035		040	
Nominal Airflow		15000	16000	18000	20000	21000	23000	24000	27000	30000	33000	36000	38000
Fan Max TSP		861		1005		1412		1205		1296		1327	
Cooling Capacity (Return air condition)	4 Row	84.5	87.7	106.3	113.2	122.9	129.7	146.3	157.1	181.6	192.2	217.3	224.5
	6 Row	95.5	100.4	125	135.1	142.7	152.9	170.6	186.4	215.8	230.9	263.1	273.5
Cooling Capacity (Fresh air condition)	4 Row	199.1	206.8	247.8	263.9	288.1	304.2	340.6	366.2	419.6	444.4	502.3	519.1
	6 Row	241.1	252.3	301.9	325.6	351	374.8	411.1	448.2	508.5	544.7	618	643
Coil Parameter	Type	Copper-1/2" OD and Aluminum Fin											
	Work Pressure	1.6 Mpa											
Water Inlet/ Outlet Connection Size (Steel)	4 Row	2-1/2"		2-1/2"		2-1/2"		2-1/2"		2-1/2"		2-1/2"	
	6 Row	2-1/2"		2-1/2"		2-1/2"		2-1/2"		2-1/2"		2-1/2"	
Fan	Type	High Efficiency Centrifugal Housed Fan, FC / BC											
	Drive	Belt Drive											
	Outlet Direction	Horizontal Discharge / Top Discharge											
Motor	Power	380V / 3Ph / 50Hz											
	Type	4 Poles, Class F Insulation, IP55 Protection Grade, TEFC IEC Standard Inducting Motor											
	Min Size	3		3		3		4		5.5		5.5	
	Max Size	7.5		11		15		15		18.5		22	
Filter	Efficiency/Thickness	1" Plate (G3)/ 2" Plate (F5)/ 4" Cartridge (F6,F7,F8)/ 10" Bag (F5,F6,F7,F8,F9)											
Casing	Materials	Sandwich Panel with High Density Polyurethane Foam											
	Insulation	25mm / 50mm											
Unit Width	25mm	1938		2248		2093		2248		2558		2558	
	50mm	1988		2298		2143		2298		2608		2608	
Unit Height	Vertical-25mm	2079		2389		/		/		/		/	
	Vertical-50mm	2154		2464		/		/		/		/	
	Horizontal-25mm	1226		1381		1536		1691		1691		2001	
	Horizontal-50mm	1251		1406		1561		1716		1716		2026	
Unit Weight	Vertical-4 Rows	511		599		/		/		/		/	
	Vertical-6 Rows	540		684		/		/		/		/	
	Horizontal-4 Rows	455		536		655		771		868		997	
	Horizontal-6 Rows	484		621		745		823		944		1067	

Note: 1. Return Air Condition: Entering air condition 27°C DB/19.5°C WB, Chilled water temperature: Entering 7°C and Leaving 12°C.
 2. Fresh Air Condition: Entering air condition 34°C DB/28°C WB, Chilled water temperature: Entering 7°C and Leaving 12°C.
 3. BC fan is adopted for LPCQ025 and above units with high pressure.
 4. Unit weight is as below configuration, Pre-filter + Cooling Coil + Fan/Motor



Cooling Coil Performance Table

Standard Condition

4 Rows

Model Size	Airflow	Return Air Condition			Fresh Air Condition		
		Total Cooling Capacity	WFR	WPD	Total Cooling Capacity	WFR	WPD
		CMH	kW	L/s	kPa	kW	L/s
003	2000	11.6	0.55	2.6	28.2	1.34	9.6
	2500	13.3	0.63	3.1	32.4	1.54	12.1
004	3000	17.8	0.85	5.4	42.2	2.01	22.1
	4000	21.1	1.01	7	50.1	2.39	30
006	5000	30.6	1.46	8.5	71.4	3.4	36.4
	6000	34.1	1.62	10.2	79.7	3.8	44.3
008	7000	45.0	2.15	12.7	104.0	4.96	55.2
	8000	48.9	2.33	14.6	113.1	5.39	64.3
010	9000	50.6	2.41	9.3	126.3	6.02	50.7
	10000	54.3	2.59	10.6	135.1	6.44	57.4
012	11000	62.3	2.97	14.3	152.1	7.25	74.9
	12000	65.8	3.14	15.8	160.5	7.65	82.9
014	13000	73.3	3.49	8.1	172.6	8.22	35.5
	14000	76.5	3.65	8.7	180.2	8.59	38.4
016	15000	84.5	4.03	8.4	199.1	9.49	37.2
	16000	87.7	4.18	9	206.8	9.85	39.8
020	18000	106.3	5.07	12.3	247.8	11.81	55.2
	20000	113.2	5.39	13.7	263.9	12.58	61.9
025	21000	122.9	5.86	11	288.1	13.73	49.8
	23000	129.7	6.18	12	304.2	14.5	55
030	24000	146.3	6.97	11.2	340.6	16.23	49.1
	27000	157.1	7.49	12.6	366.2	17.45	56
035	30000	181.6	8.65	17.7	419.6	19.99	78.6
	33000	192.2	9.16	19.5	444.4	21.18	87.3
040	36000	217.3	10.36	17.8	502.3	23.94	79.5
	38000	224.5	10.7	18.8	519.1	24.74	84.5

6 Rows

Model Size	Airflow	Return Air Condition			Fresh Air Condition		
		Total Cooling Capacity	WFR	WPD	Total Cooling Capacity	WFR	WPD
		CMH	kW	L/s	kPa	kW	L/s
003	2000	15.2	0.73	4.6	35	1.67	17.5
	2500	17.8	0.85	5.8	41.2	1.96	23.2
004	3000	23.1	1.1	10.3	52.3	2.49	42
	4000	28.1	1.34	14.3	64.1	3.06	60.7
006	5000	39.3	1.87	17	88.2	4.2	70.4
	6000	44.6	2.13	21.1	100.6	4.79	89.3
008	7000	49.5	2.36	9.9	118.9	5.67	49.9
	8000	54.6	2.6	11.9	131	6.24	59.8
010	9000	58.9	2.81	5.4	148.3	7.07	24.9
	10000	63.9	3.05	6.1	159.9	7.62	28.5
012	11000	65.9	3.14	4.1	175.6	8.37	25.6
	12000	70.9	3.38	4.7	186.7	8.9	28.7
014	13000	82.5	3.93	6.5	208.4	9.93	36.6
	14000	87.3	4.16	7.2	219.5	10.46	40.3
016	15000	95.5	4.55	6.9	241.1	11.49	39.3
	16000	100.4	4.78	7.6	252.3	12.02	42.8
020	18000	125	5.96	11.1	301.9	14.39	58.2
	20000	135.1	6.44	12.9	325.6	15.52	67.1
025	21000	142.7	6.8	10.1	351	16.73	55.4
	23000	152.9	7.29	11.5	374.8	17.86	62.7
030	24000	170.6	8.13	9.5	411.1	19.59	48.7
	27000	186.4	8.88	11.2	448.2	21.36	57.3
035	30000	215.8	10.28	15.7	508.5	24.23	77.1
	33000	230.9	11	17.8	544.7	25.96	87.6
040	36000	263.1	12.54	16.7	618	29.45	81.7
	38000	273.5	13.03	17.9	643	30.64	88

Note: 1. Return Air Condition: Entering air condition 27°C BD/19.5°C WB, Chilled water temperature: Entering 7°C and Leaving 12°C.
 2. Fresh Air Condition: Entering air condition 35°C BD/28°C WB, Chilled water temperature: Entering 7°C and Leaving 12°C.

Fan & Motor Parameter

Model Size	Fan Size	Fuctions: External Filter 1" Plate G3 + Coolig Coil (4Rows) + Fan														
		ESP	50 Pa	100 Pa	150 Pa	200 Pa	250 Pa	300 Pa	350 Pa	400 Pa	450 Pa	500 Pa	550 Pa	600 Pa	650 Pa	700 Pa
		Airflow (CMH)	Motor Power(kW)													
003	SYT 9-7L	2000	0.37	0.37	0.37	0.55	0.55	0.55	0.55	0.75	0.75	0.75	0.75	1.1	1.1	/
		2500	0.55	0.75	0.75	0.75	0.75	1.1	1.1	1.1	1.1	1.1	1.1	1.1	1.5	1.5
004	SYT 9-9L	3000	0.55	0.55	0.75	0.75	0.75	1.1	1.1	1.1	1.1	1.5	/	/	/	/
		4000	1.1	1.1	1.5	1.5	1.5	1.5	1.5	2.2	2.2	/	/	/	/	/
006	SYT 12-9L	5000	1.1	1.1	1.5	1.5	1.5	1.5	2.2	2.2	2.2	2.2	2.2	2.2	3	3
		6000	2.2	2.2	2.2	2.2	2.2	2.2	3	3	3	3	3	3	3	/
008	SYT 12-12L	7000	2.2	2.2	2.2	2.2	2.2	3	3	3	3	3	3	4	/	/
		8000	2.2	3	3	3	3	3	4	4	4	4	/	/	/	/
010	SYT 12-9L2	9000	2.2	2.2	2.2	3	3	3	3	4	4	4	4	5.5	/	/
		10000	2.2	3	3	3	3	4	4	4	4	5.5	5.5	5.5	/	/
012	SYT 12-9L2	11000	3	3	3	4	4	4	4	5.5	5.5	5.5	5.5	5.5	/	/
		12000	4	4	4	4	5.5	5.5	5.5	5.5	5.5	5.5	/	/	/	/
014	SYT 15-11L2	13000	3	3	4	4	4	5.5	5.5	5.5	5.5	5.5	7.5	/	/	/
		14000	4	4	4	5.5	5.5	5.5	5.5	5.5	7.5	7.5	/	/	/	/
016	SYT 15-11L2	15000	4	4	5.5	5.5	5.5	5.5	5.5	7.5	7.5	7.5	7.5	/	/	/
		16000	5.5	5.5	5.5	5.5	5.5	7.5	7.5	7.5	7.5	7.5	/	/	/	/
020	SYT 18-13L2	18000	4	5.5	5.5	5.5	5.5	7.5	7.5	7.5	7.5	11	11	11	11	11
		20000	5.5	5.5	7.5	7.5	7.5	7.5	11	11	11	11	11	11	11	/
025	SYD 560R/ SYQ 560R	21000	5.5	5.5	5.5	5.5	5.5	7.5	7.5	7.5	7.5	11	11	11	11	11
		23000	5.5	7.5	7.5	7.5	7.5	7.5	11	11	11	11	11	11	11	11
030	SYD 560R/ SYQ 560R	24000	5.5	5.5	7.5	7.5	7.5	7.5	11	11	11	11	11	11	11	11
		27000	7.5	7.5	11	11	11	11	11	11	11	15	15	15	15	15
035	SYD 630R/ SYQ 630R	30000	7.5	7.5	11	11	11	11	11	11	11	15	15	15	15	15
		33000	11	11	11	11	11	11	15	15	15	15	15	15	15	18.5
040	SYD 710R/ SYQ 710R	36000	7.5	11	11	11	11	11	11	15	15	15	15	15	15	18.5
		38000	11	11	11	11	11	11	15	15	15	15	15	18.5	18.5	18.5

Note: The motor power with gray background means the use of backward curved fan.

Model Size	Fan Size	Function: External Filter 1" Plate G3 + Coolig Coil (6Rows) + Fan														
		ESP	50 Pa	100 Pa	150 Pa	200 Pa	250 Pa	300 Pa	350 Pa	400 Pa	450 Pa	500 Pa	550 Pa	600 Pa	650 Pa	700 Pa
		Airflow (CMH)	Motor Power(kW)													
003	SYT 9-7L	2000	0.37	0.37	0.55	0.55	0.55	0.55	0.75	0.75	0.75	0.75	1.1	1.1	/	/
		2500	0.75	0.75	0.75	0.75	1.1	1.1	1.1	1.1	1.1	1.1	1.1	1.1	1.5	1.5
004	SYT 9-9L	3000	0.55	0.75	0.75	0.75	1.1	1.1	1.1	1.1	1.5	/	/	/	/	/
		4000	1.5	1.5	1.5	1.5	1.5	2.2	2.2	2.2	/	/	/	/	/	/
006	SYT 12-9L	5000	1.1	1.5	1.5	1.5	1.5	2.2	2.2	2.2	2.2	2.2	2.2	3	3	/
		6000	2.2	2.2	2.2	2.2	2.2	3	3	3	3	3	3	/	/	/
008	SYT 12-12L	7000	2.2	2.2	2.2	2.2	3	3	3	3	3	3	4	/	/	/
		8000	3	3	3	3	4	4	4	4	4	/	/	/	/	/
010	SYT 12-9L2	9000	2.2	2.2	3	3	3	3	4	4	4	4	5.5	/	/	/
		10000	3	3	3	4	4	4	4	4	5.5	5.5	5.5	/	/	/
012	SYT 12-9L2	11000	3	3	4	4	4	4	5.5	5.5	5.5	5.5	5.5	/	/	/
		12000	4	4	4	5.5	5.5	5.5	5.5	5.5	5.5	/	/	/	/	/
014	SYT 15-11L2	13000	4	4	4	4	5.5	5.5	5.5	5.5	5.5	7.5	/	/	/	/
		14000	4	4	5.5	5.5	5.5	5.5	7.5	7.5	7.5	/	/	/	/	/
016	SYT 15-11L2	15000	4	5.5	5.5	5.5	5.5	5.5	7.5	7.5	7.5	7.5	/	/	/	/
		16000	5.5	5.5	5.5	7.5	7.5	7.5	7.5	7.5	7.5	/	/	/	/	/
020	SYT 18-13L2	18000	5.5	5.5	5.5	5.5	7.5	7.5	7.5	7.5	11	11	11	11	/	/
		20000	7.5	7.5	7.5	7.5	7.5	11	11	11	11	11	11	11	/	/
025	SYD 560R/ SYQ 560R	21000	5.5	5.5	5.5	7.5	7.5	7.5	7.5	11	11	11	11	11	11	11
		23000	7.5	7.5	7.5	7.5	11	11	11	11	11	11	11	11	11	11
030	SYD 560R/ SYQ 560R	24000	5.5	7.5	7.5	7.5	7.5	11	11	11	11	11	11	11	11	11
		27000	7.5	11	11	11	11	11	11	11	15	15	15	15	15	15
035	SYD 630R/ SYQ 630R	30000	7.5	11	11	11	11	11	11	11	15	15	15	15	15	15
		33000	11	11	11	11	15	15	15	15	15	15	15	18.5	18.5	18.5
040	SYD 710R/ SYQ 710R	36000	11	11	11	11	11	15	15	15	15	15	15	15	18.5	18.5
		38000	11	11	11	15	15	15	15	15	15	18.5	18.5	18.5	18.5	18.5

Note: The motor power with gray background means the use of backward curved fan.



Fan & Motor Parameter

Model Size	Fan Size	Fuctions: Mixing Box + Plate Filter 1" G3 + Bag Filter 10" F7 + Coolig Coil (4Rows) + Fan														
		ESP	50 Pa	100 Pa	150 Pa	200 Pa	250 Pa	300 Pa	350 Pa	400 Pa	450 Pa	500 Pa	550 Pa	600 Pa	650 Pa	700 Pa
		Airflow (CMH)	Motor Power(kW)													
003	SYT 9-7L	2000	0.37	0.55	0.55	0.55	0.55	0.75	0.75	0.75	0.75	1.1	1.1	/	/	/
		2500	0.75	0.75	0.75	1.1	1.1	1.1	1.1	1.1	1.1	1.1	1.5	1.5	1.5	1.5
004	SYT 9-9L	3000	0.75	0.75	0.75	1.1	1.1	1.1	1.1	1.5	/	/	/	/	/	
		4000	1.5	1.5	1.5	1.5	2.2	2.2	2.2	/	/	/	/	/	/	
006	SYT 12-9L	5000	1.5	1.5	1.5	1.5	2.2	2.2	2.2	2.2	2.2	3	3	/	/	
		6000	2.2	2.2	2.2	2.2	3	3	3	3	3	3	/	/	/	
008	SYT 12-12L	7000	2.2	2.2	2.2	3	3	3	3	3	3	4	/	/	/	
		8000	3	3	3	4	4	4	4	4	4	/	/	/	/	
010	SYT 12-9L2	9000	2.2	3	3	3	3	4	4	4	4	5.5	/	/	/	
		10000	3	3	4	4	4	4	5.5	5.5	5.5	5.5	/	/	/	
012	SYT 12-9L2	11000	4	4	4	4	4	4	5.5	5.5	5.5	5.5	/	/	/	
		12000	4	5.5	5.5	5.5	5.5	5.5	5.5	/	/	/	/	/	/	
014	SYT 15-11L2	13000	4	4	4	5.5	5.5	5.5	5.5	5.5	7.5	/	/	/	/	
		14000	5.5	5.5	5.5	5.5	5.5	7.5	7.5	7.5	/	/	/	/	/	
016	SYT 15-11L2	15000	5.5	5.5	5.5	5.5	5.5	7.5	7.5	7.5	7.5	/	/	/	/	
		16000	5.5	5.5	7.5	7.5	7.5	7.5	7.5	7.5	/	/	/	/	/	
020	SYT 18-13L2	18000	5.5	5.5	5.5	7.5	7.5	7.5	7.5	11	11	11	11	/	/	
		20000	7.5	7.5	7.5	7.5	11	11	11	11	11	11	11	/	/	
025	SYD 560R/ SYQ 560R	21000	5.5	7.5	7.5	7.5	7.5	7.5	11	11	11	11	11	11	11	
		23000	7.5	7.5	7.5	11	11	11	11	11	11	11	11	11	15	
030	SYD 560R/ SYQ 560R	24000	7.5	7.5	7.5	7.5	11	11	11	11	11	11	11	11	11	
		27000	11	11	11	11	11	11	15	15	15	15	15	15	15	
035	SYD 630R/ SYQ 630R	30000	11	11	11	11	11	11	11	15	15	15	15	15	15	
		33000	11	11	11	15	15	15	15	15	15	15	18.5	18.5	18.5	
040	SYD 710R/ SYQ 710R	36000	11	11	11	11	15	15	15	15	15	15	15	18.5	18.5	
		38000	11	11	15	15	15	15	15	15	18.5	18.5	18.5	18.5	18.5	

Note: The motor power with gray background means the use of backward curved fan.

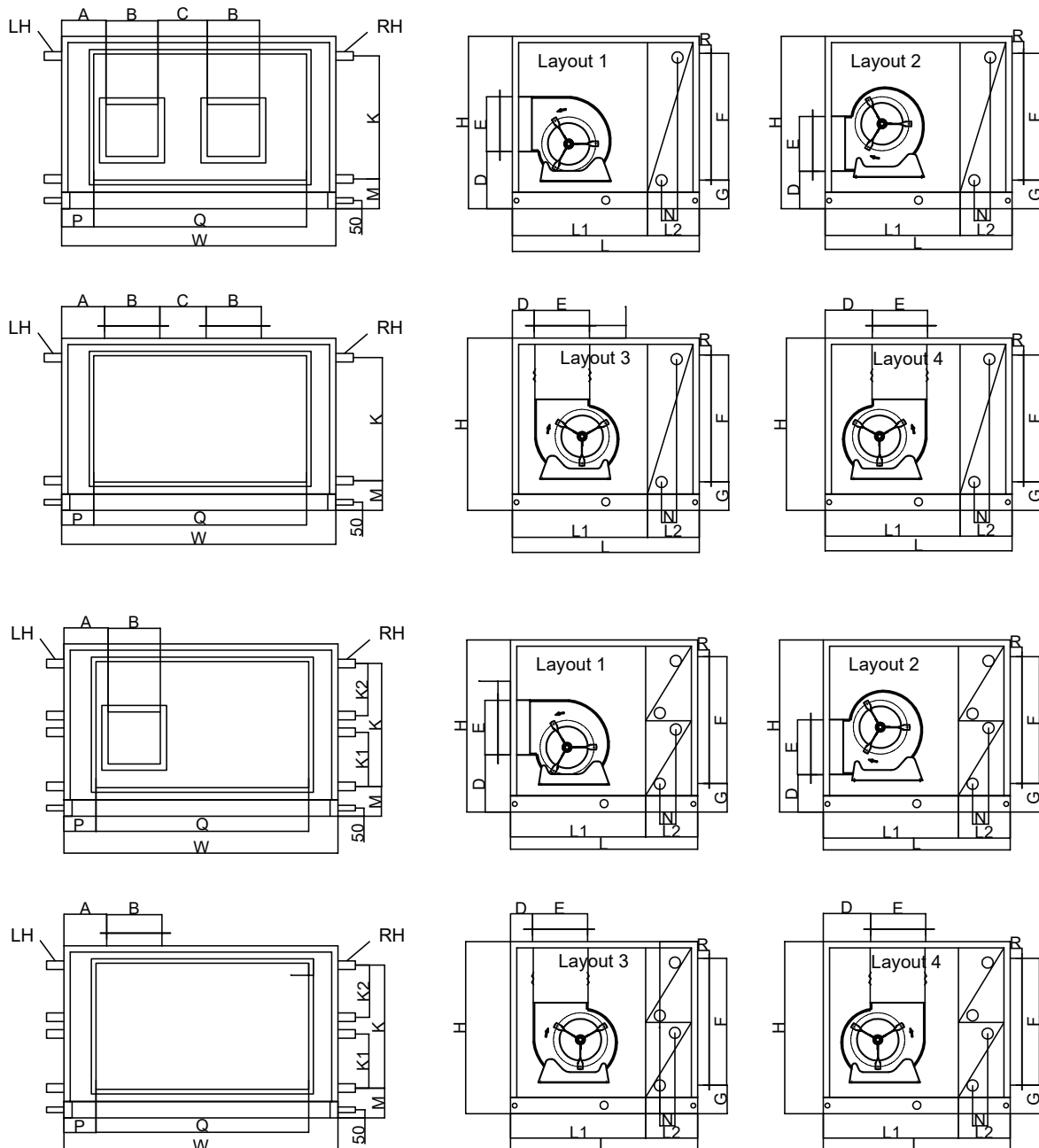
Model Size	Fan Size	Function: External Filter 1" Plate G3 + Coolig Coil (6Rows) + Fan														
		ESP	50 Pa	100 Pa	150 Pa	200 Pa	250 Pa	300 Pa	350 Pa	400 Pa	450 Pa	500 Pa	550 Pa	600 Pa	650 Pa	700 Pa
		Airflow (CMH)	Motor Power(kW)													
003	SYT 9-7L	2000	0.55	0.55	0.55	0.55	0.75	0.75	0.75	0.75	1.1	1.1	1.1	/	/	/
		2500	0.75	0.75	1.1	1.1	1.1	1.1	1.1	1.1	1.1	1.5	1.5	1.5	1.5	1.5
004	SYT 9-9L	3000	0.75	0.75	1.1	1.1	1.1	1.1	1.5	/	/	/	/	/	/	
		4000	1.5	1.5	1.5	2.2	2.2	/	/	/	/	/	/	/	/	
006	SYT 12-9L	5000	1.5	1.5	1.5	2.2	2.2	2.2	2.2	2.2	2.2	3	3	/	/	
		6000	2.2	2.2	3	3	3	3	3	3	/	/	/	/	/	
008	SYT 12-12L	7000	2.2	2.2	3	3	3	3	3	/	/	/	/	/	/	
		8000	3	3	4	4	4	4	4	/	/	/	/	/	/	
010	SYT 12-9L2	9000	3	3	3	3	4	4	4	4	5.5	/	/	/	/	
		10000	3	4	4	4	4	4	5.5	5.5	5.5	/	/	/	/	
012	SYT 12-9L2	11000	4	4	4	4	5.5	5.5	5.5	5.5	5.5	/	/	/	/	
		12000	5.5	5.5	5.5	5.5	5.5	5.5	/	/	/	/	/	/	/	
014	SYT 15-11L2	13000	4	4	5.5	5.5	5.5	5.5	7.5	7.5	/	/	/	/	/	
		14000	5.5	5.5	5.5	5.5	7.5	7.5	/	/	/	/	/	/	/	
016	SYT 15-11L2	15000	5.5	5.5	5.5	7.5	7.5	7.5	7.5	7.5	/	/	/	/	/	
		16000	5.5	7.5	7.5	7.5	7.5	7.5	7.5	/	/	/	/	/	/	
020	SYT 18-13L2	18000	5.5	7.5	7.5	7.5	7.5	7.5	11	11	11	11	/	/	/	
		20000	7.5	7.5	11	11	11	11	11	11	11	/	/	/	/	
025	SYD 560R/ SYQ 560R	21000	7.5	7.5	7.5	7.5	7.5	11	11	11	11	11	11	11	11	
		23000	7.5	7.5	11	11	11	11	11	11	11	11	11	15	15	
030	SYD 560R/ SYQ 560R	24000	7.5	7.5	7.5	11	11	11	11	11	11	11	11	11	15	
		27000	11	11	11	11	11	15	15	15	15	15	15	15	15	
035	SYD 630R/ SYQ 630R	30000	11	11	11	11	11	11	15	15	15	15	15	15	15	
		33000	11	11	15	15	15	15	15	15	15	15	18.5	18.5	18.5	
040	SYD 710R/ SYQ 710R	36000	11	11	11	15	15	15	15	15	15	15	18.5	18.5	18.5	
		38000	11	15	15	15	15	15	15	15	18.5	18.5	18.5	18.5	22	

Note: The motor power with gray background means the use of backward curved fan.

Typical Unit Dimensions

Typical Unit Dimensions 1

configuration: External pre-filter + Cooling coil + Fan





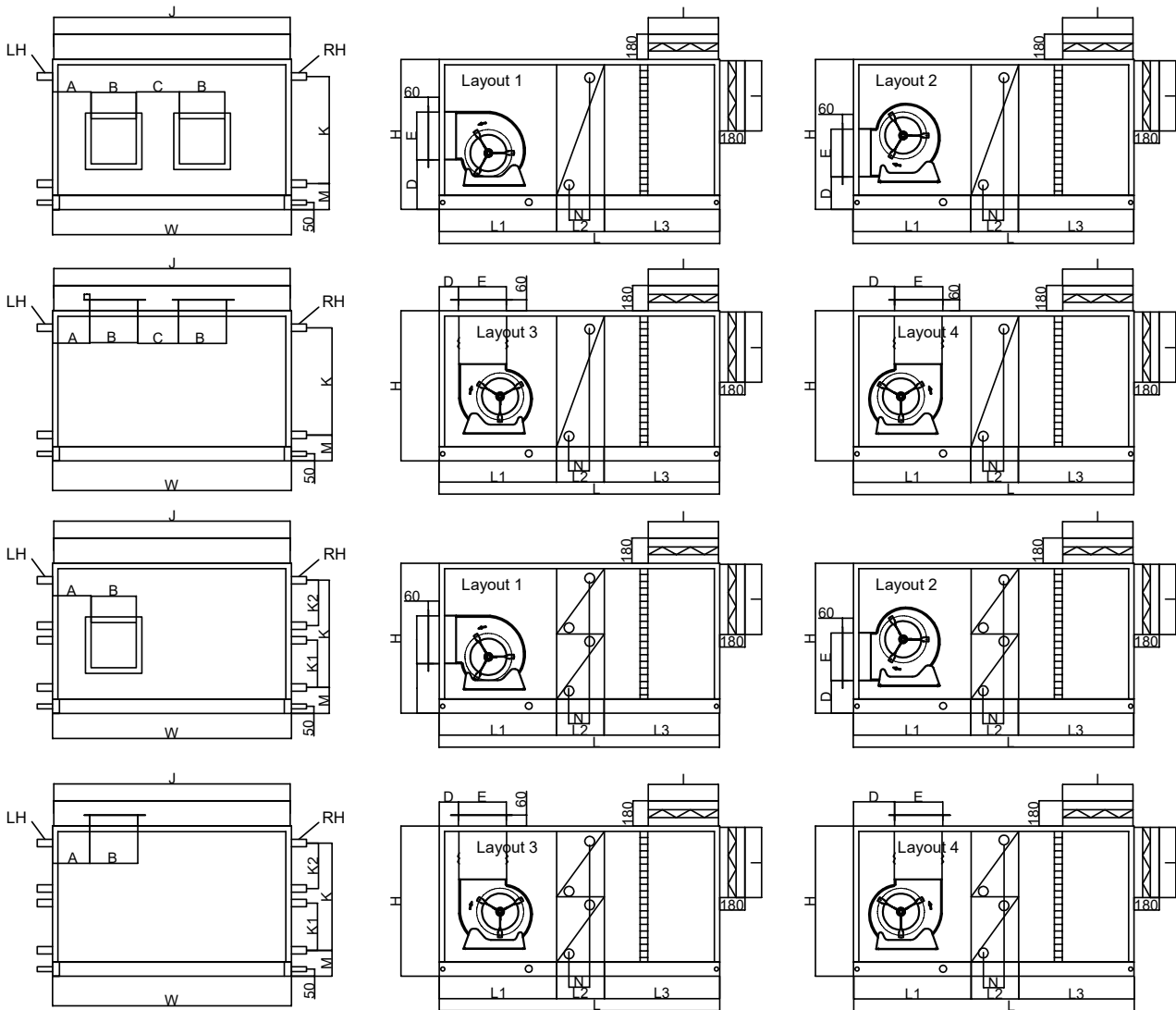
Typical Unit Dimensions 1

Model Size	Panel Thickness (mm)	Unit Dimensions			Section Length			Outlet Parameter								
		L	W	H	L1	L2	L3	A		B	C	D				E
								LH	RH			ARR1	ARR2	ARR3	ARR4	
LPCQ003	25	1008	853	761	620	310	0	472	149	232	0	320	228	128	244	262
LPCQ004	25	1008	1008	761	620	310	0	531	179	298	0	320	228	128	244	262
LPCQ006	25	1163	1163	916	775	310	0	550	304	309	0	376	228	121	281	341
LPCQ008	25	1163	1318	1071	775	310	0	614	309	395	0	376	228	121	281	341
LPCQ010	25	1163	1628	1071	775	310	0	575	191	309	244	376	228	121	281	341
LPCQ012	25	1163	1783	1071	775	310	0	670	251	309	244	376	228	121	281	341
LPCQ014	25	1318	1938	1071	930	310	0	670	248	373	274	403	228	108	319	404
LPCQ016	25	1318	1938	1226	930	310	0	710	208	373	274	403	228	108	319	404
LPCQ020	25	1318	2248	1381	930	310	0	798	247	430	343	468	233	98	385	478
LPCQ025	25	1628	2093	1536	1240	310	0	887	491	715	0	562	250	165	467	715
LPCQ030	25	1628	2248	1691	1240	310	0	887	646	715	0	562	250	165	467	715
LPCQ035	25	1783	2558	1691	1395	310	0	982	775	801	0	596	254	169	510	801
LPCQ040	25	1938	2558	2001	1550	310	0	982	678	898	0	642	252	169	559	898
LPCQ003	50	1058	903	786	620	310	0	497	174	232	0	320	228	128	244	262
LPCQ004	50	1058	1058	786	620	310	0	556	204	298	0	320	228	128	244	262
LPCQ006	50	1213	1213	941	775	310	0	575	329	309	0	376	228	121	281	341
LPCQ008	50	1213	1368	1096	775	310	0	639	334	395	0	376	228	121	281	341
LPCQ010	50	1213	1678	1096	775	310	0	600	216	309	244	376	228	121	281	341
LPCQ012	50	1213	1833	1096	775	310	0	695	276	309	244	376	228	121	281	341
LPCQ014	50	1368	1988	1096	930	310	0	695	273	373	274	403	228	108	319	404
LPCQ016	50	1368	1988	1251	930	310	0	735	233	373	274	403	228	108	319	404
LPCQ020	50	1368	2298	1406	930	310	0	823	272	430	343	468	233	98	385	478
LPCQ025	50	1678	2143	1561	1240	310	0	912	516	715	0	562	250	165	467	715
LPCQ030	50	1678	2298	1716	1240	310	0	912	671	715	0	562	250	165	467	715
LPCQ035	50	1833	2608	1716	1395	310	0	1007	800	801	0	596	254	169	510	801
LPCQ040	50	1988	2608	2026	1550	310	0	1007	703	898	0	642	252	169	559	898

Model Size	Panel Thickness (mm)	Inlet Parameter						Coil Parameter							
		Q	F	P	G	R		M	K	K1	K2	DN-A / DN-B			
						External 1" Filter	External 1"+2" Filter					1R	2R	4R	6R
LPCQ003	25	613	505	121	158	90	140	179	475	0	0	40	40	40	40
LPCQ004	25	803	505	104	158	90	140	179	475	0	0	40	40	40	40
LPCQ006	25	953	585	106	195	90	140	179	633	0	0	40	40	50	50
LPCQ008	25	1073	810	124	160	90	140	179	792	0	0	40	50	50	50
LPCQ010	25	1153	810	239	160	90	140	185	780	0	0	40	50	50	65
LPCQ012	25	1488	810	149	160	90	140	185	780	0	0	40	50	50	65
LPCQ014	25	1728	810	106	160	90	140	185	780	0	0	40	50	50	65
LPCQ016	25	1728	960	106	163	90	140	193	892	0	0	40	50	65	65
LPCQ020	25	1983	1040	134	200	90	140	193	956	0	0	50	50	65	65
LPCQ025	25	1728	1268	184	166	90	140	193	1241	0	0	50	50	65	65
LPCQ030	25	1983	1448	134	153	90	140	182	1422	675	643	40	50	50	65
LPCQ035	25	2303	1448	129	153	90	140	182	1422	675	643	40	50	50	65
LPCQ040	25	2303	1658	129	203	90	140	188	1697	818	818	40	50	65	65
LPCQ003	50	613	505	146	158	65	115	179	475	0	0	40	40	40	40
LPCQ004	50	803	505	129	158	65	115	179	475	0	0	40	40	40	40
LPCQ006	50	953	585	131	195	65	115	179	633	0	0	40	40	50	50
LPCQ008	50	1073	810	149	160	65	115	179	792	0	0	40	50	50	50
LPCQ010	50	1153	810	264	160	65	115	185	780	0	0	40	50	50	65
LPCQ012	50	1488	810	174	160	65	115	185	780	0	0	40	50	50	65
LPCQ014	50	1728	810	131	160	65	115	185	780	0	0	40	50	50	65
LPCQ016	50	1728	960	131	163	65	115	193	892	0	0	40	50	65	65
LPCQ020	50	1983	1040	159	200	65	115	193	956	0	0	50	50	65	65
LPCQ025	50	1728	1268	209	166	65	115	193	1241	0	0	50	50	65	65
LPCQ030	50	1983	1448	159	153	65	115	182	1422	675	643	40	50	50	65
LPCQ035	50	2303	1448	154	153	65	115	182	1422	675	643	40	50	50	65
LPCQ040	50	2303	1658	154	203	65	115	188	1697	818	818	40	50	65	65

Note: 1. LPCQ003-008 and 025-040 has one outlet, and LPCQ010-020 has two outlets.
 2. LPCQ003-025 has single coil, and LPCQ030-040 has double coil.

configuration: Mixing box + Pre-Filter + Bag filter+ Cooling coil + Fan





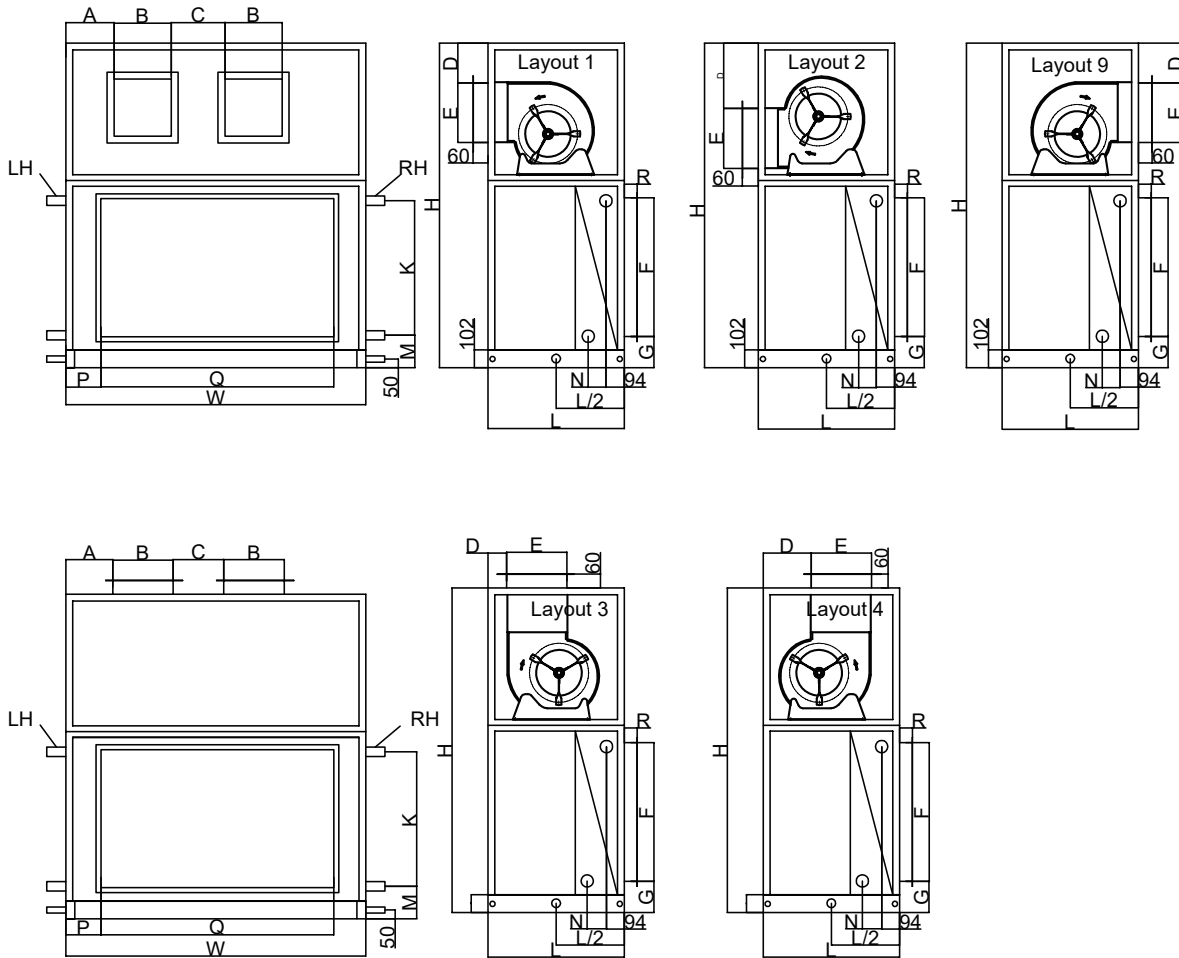
Typical Unit Dimensions 2

Model Size	Panel Thickness (mm)	Unit Dimensions			Section Length			Outlet Parameter								
		L	W	H	L1	L2	L3	A		B	C	D				E
								LH	RH			ARR1	ARR2	ARR3	ARR4	
LPCQ003	25	1783	853	761	620	310	775	472	149	232	0	320	228	128	244	262
LPCQ004	25	1783	1008	761	620	310	775	531	179	298	0	320	228	128	244	262
LPCQ006	25	1938	1163	916	775	310	775	550	304	309	0	376	228	121	281	341
LPCQ008	25	1938	1318	1071	775	310	775	614	309	395	0	376	228	121	281	341
LPCQ010	25	1938	1628	1071	775	310	775	575	191	309	244	376	228	121	281	341
LPCQ012	25	1938	1783	1071	775	310	775	670	251	309	244	376	228	121	281	341
LPCQ014	25	2093	1938	1071	930	310	775	670	248	373	274	403	228	108	319	404
LPCQ016	25	2093	1938	1226	930	310	775	710	208	373	274	403	228	108	319	404
LPCQ020	25	2093	2248	1381	930	310	775	798	247	430	343	468	233	98	385	478
LPCQ025	25	2558	2093	1536	1240	310	930	887	491	715	0	562	250	165	467	715
LPCQ030	25	2558	2248	1691	1240	310	930	887	646	715	0	562	250	165	467	715
LPCQ035	25	2713	2558	1691	1395	310	930	982	775	801	0	596	254	169	510	801
LPCQ040	25	2868	2558	2001	1550	310	930	982	678	898	0	642	252	169	559	898
LPCQ003	50	1833	903	786	620	310	775	497	174	232	0	320	228	128	244	262
LPCQ004	50	1833	1058	786	620	310	775	556	204	298	0	320	228	128	244	262
LPCQ006	50	1988	1213	941	775	310	775	575	329	309	0	376	228	121	281	341
LPCQ008	50	1988	1368	1096	775	310	775	639	334	395	0	376	228	121	281	341
LPCQ010	50	1988	1678	1096	775	310	775	600	216	309	244	376	228	121	281	341
LPCQ012	50	1988	1833	1096	775	310	775	695	276	309	244	376	228	121	281	341
LPCQ014	50	2143	1988	1096	930	310	775	695	273	373	274	403	228	108	319	404
LPCQ016	50	2143	1988	1251	930	310	775	735	233	373	274	403	228	108	319	404
LPCQ020	50	2143	2298	1406	930	310	775	823	272	430	343	468	233	98	385	478
LPCQ025	50	2608	2143	1561	1240	310	930	912	516	715	0	562	250	165	467	715
LPCQ030	50	2608	2298	1716	1240	310	930	912	671	715	0	562	250	165	467	715
LPCQ035	50	2763	2608	1716	1395	310	930	1007	800	801	0	596	254	169	510	801
LPCQ040	50	2918	2608	2026	1550	310	930	1007	703	898	0	642	252	169	559	898

Model Size	Panel Thickness (mm)	Inlet Parameter				Coil Parameter							
		J	I	R		M	K	K1	K2	DN-A / DN-B			
				Damper	Flange					1R	2R	4R	6R
LPCQ003	25	775	310	180	60	179	475	0	0	40	40	40	40
LPCQ004	25	930	310	180	60	179	475	0	0	40	40	40	40
LPCQ006	25	1085	310	180	60	179	633	0	0	40	40	50	50
LPCQ008	25	1240	310	180	60	179	792	0	0	40	50	50	50
LPCQ010	25	1550	310	180	60	185	780	0	0	40	50	50	65
LPCQ012	25	1705	310	180	60	185	780	0	0	40	50	50	65
LPCQ014	25	1860	310	180	60	185	780	0	0	40	50	50	65
LPCQ016	25	1860	310	180	60	193	892	0	0	40	50	65	65
LPCQ020	25	2170	310	180	60	193	956	0	0	50	50	65	65
LPCQ025	25	2015	465	180	60	193	1241	0	0	50	50	65	65
LPCQ030	25	2170	465	180	60	182	1422	675	643	40	50	50	65
LPCQ035	25	2480	465	180	60	182	1422	675	643	40	50	50	65
LPCQ040	25	2480	465	180	60	188	1697	818	818	40	50	65	65
LPCQ003	50	775	310	180	60	179	475	0	0	40	40	40	40
LPCQ004	50	930	310	180	60	179	475	0	0	40	40	40	40
LPCQ006	50	1085	310	180	60	179	633	0	0	40	40	50	50
LPCQ008	50	1240	310	180	60	179	792	0	0	40	50	50	50
LPCQ010	50	1550	310	180	60	185	780	0	0	40	50	50	65
LPCQ012	50	1705	310	180	60	185	780	0	0	40	50	50	65
LPCQ014	50	1860	310	180	60	185	780	0	0	40	50	50	65
LPCQ016	50	1860	310	180	60	193	892	0	0	40	50	65	65
LPCQ020	50	2170	310	180	60	193	956	0	0	50	50	65	65
LPCQ025	50	2015	465	180	60	193	1241	0	0	50	50	65	65
LPCQ030	50	2170	465	180	60	182	1422	675	643	40	50	50	65
LPCQ035	50	2480	465	180	60	182	1422	675	643	40	50	50	65
LPCQ040	50	2480	465	180	60	188	1697	818	818	40	50	65	65

Note: 1. LPCQ003-008 and 025-040 has one outlet, and LPCQ010-020 has two outlets.
2. LPCQ003-025 has single coil, and LPCQ030-040 has double coil.

configuration: External pre-filter + Cooling coil + Fan





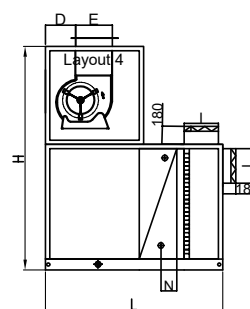
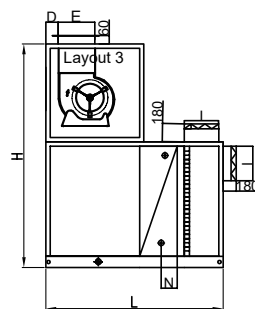
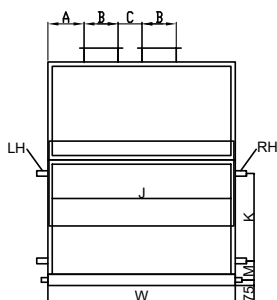
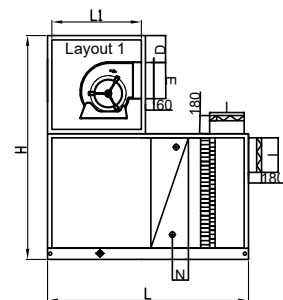
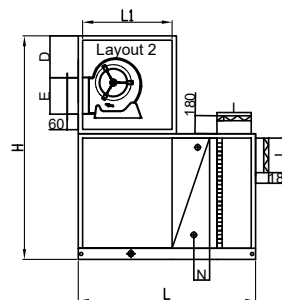
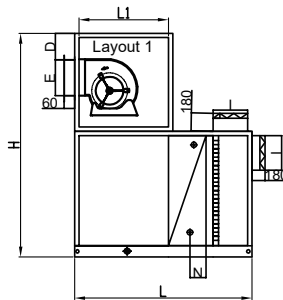
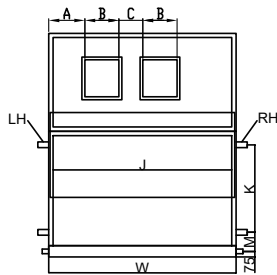
Typical Unit Dimensions 3

Model Size	Panel Thickness (mm)	Unit Dimensions			Section Length			Outlet Parameter									
		L	W	H	L1	L2	L3	A		B	C	D					E
								LH	RH			ARR1	ARR2	ARR3	ARR4	ARR9	
LPCQ003	25	698	853	1459	620	620	0	472	149	232	0	175	267	128	244	175	262
LPCQ004	25	698	1008	1459	620	620	0	531	179	298	0	175	267	128	244	175	262
LPCQ006	25	853	1163	1769	775	775	0	550	304	309	0	195	343	121	281	195	341
LPCQ008	25	853	1318	1924	775	775	0	614	309	395	0	195	343	121	281	195	341
LPCQ010	25	853	1628	1924	775	775	0	575	191	309	244	195	343	121	281	195	341
LPCQ012	25	853	1783	1924	775	775	0	670	251	309	244	195	343	121	281	195	341
LPCQ014	25	1008	1938	1924	930	930	0	670	248	373	274	105	280	108	319	105	404
LPCQ016	25	1008	1938	2079	930	930	0	710	208	373	274	105	280	108	319	105	404
LPCQ020	25	1008	2248	2389	930	930	0	798	247	430	343	121	356	98	385	121	478
LPCQ003	50	748	903	1534	620	620	0	497	174	232	0	200	292	153	269	200	262
LPCQ004	50	748	1058	1534	620	620	0	556	204	298	0	200	292	153	269	200	262
LPCQ006	50	903	1213	1844	775	775	0	575	329	309	0	220	368	146	306	220	341
LPCQ008	50	903	1368	1999	775	775	0	639	334	395	0	220	368	146	306	220	341
LPCQ010	50	903	1678	1999	775	775	0	600	216	309	244	220	368	146	306	220	341
LPCQ012	50	903	1833	1999	775	775	0	695	276	309	244	220	368	146	306	220	341
LPCQ014	50	1058	1988	1999	930	930	0	695	273	373	274	130	305	133	344	130	404
LPCQ016	50	1058	1988	2154	930	930	0	735	233	373	274	130	305	133	344	130	404
LPCQ020	50	1058	2298	2464	930	930	0	823	272	430	343	146	381	123	410	146	478

Model Size	Panel Thickness (mm)	Inlet Parameter						Coil Parameter					
		Q	F	P	G	R		M	K	DN-A / DN-B			
						External 1" Filter	External 1"+2" Filter			1R	2R	4R	6R
LPCQ003	25	613	505	121	158	90	140	179	475	40	40	40	40
LPCQ004	25	803	505	104	158	90	140	179	475	40	40	40	40
LPCQ006	25	953	585	106	195	90	140	179	633	40	40	50	50
LPCQ008	25	1073	810	124	160	90	140	179	792	40	50	50	50
LPCQ010	25	1153	810	239	160	90	140	185	780	40	50	50	65
LPCQ012	25	1488	810	149	160	90	140	185	780	40	50	50	65
LPCQ014	25	1728	810	106	160	90	140	185	780	40	50	50	65
LPCQ016	25	1728	960	106	163	90	140	193	892	40	50	65	65
LPCQ020	25	1983	1040	134	200	90	140	193	956	50	50	65	65
LPCQ003	50	613	505	146	158	65	115	179	475	40	40	40	40
LPCQ004	50	803	505	129	158	65	115	179	475	40	40	40	40
LPCQ006	50	953	585	131	195	65	115	179	633	40	40	50	50
LPCQ008	50	1073	810	149	160	65	115	179	792	40	50	50	50
LPCQ010	50	1153	810	264	160	65	115	185	780	40	50	50	65
LPCQ012	50	1488	810	174	160	65	115	185	780	40	50	50	65
LPCQ014	50	1728	810	131	160	65	115	185	780	40	50	50	65
LPCQ016	50	1728	960	131	163	65	115	193	892	40	50	65	65
LPCQ020	50	1983	1040	159	200	65	115	193	956	50	50	65	65

Note: 1. LPCQ003-008 has one outlet, and LPCQ010-020 has two outlets.

configuration: Mixing box + Pre-Filter + Bag filter+ Cooling coil + Fan





Typical Unit Dimensions 4

Model Size	Panel Thickness (mm)	Unit Dimensions			Section Length			Outlet Parameter									
		L	W	H	L1	L2	L3	A		B	C	D					E
								LH	RH			ARR1	ARR2	ARR3	ARR4	ARR9	
LPCQ003	25	1473	853	1459	620	620	775	472	149	232	0	175	267	128	244	175	262
LPCQ004	25	1473	1008	1459	620	620	775	531	179	298	0	175	267	128	244	175	262
LPCQ006	25	1628	1163	1769	775	775	775	550	304	309	0	195	343	121	281	195	341
LPCQ008	25	1628	1318	1924	775	775	775	614	309	395	0	195	343	121	281	195	341
LPCQ010	25	1628	1628	1924	775	775	775	575	191	309	244	195	343	121	281	195	341
LPCQ012	25	1628	1783	1924	775	775	775	670	251	309	244	195	343	121	281	195	341
LPCQ014	25	1783	1938	1924	930	930	775	670	248	373	274	105	280	108	319	105	404
LPCQ016	25	1783	1938	2079	930	930	775	710	208	373	274	105	280	108	319	105	404
LPCQ020	25	1783	2248	2389	930	930	775	798	247	430	343	121	356	98	385	121	478
LPCQ003	50	1523	903	1534	620	620	775	497	174	232	0	200	292	153	269	200	262
LPCQ004	50	1523	1058	1534	620	620	775	556	204	298	0	200	292	153	269	200	262
LPCQ006	50	1678	1213	1844	775	775	775	575	329	309	0	220	368	146	306	220	341
LPCQ008	50	1678	1368	1999	775	775	775	639	334	395	0	220	368	146	306	220	341
LPCQ010	50	1678	1678	1999	775	775	775	600	216	309	244	220	368	146	306	220	341
LPCQ012	50	1678	1833	1999	775	775	775	695	276	309	244	220	368	146	306	220	341
LPCQ014	50	1833	1988	1999	930	930	775	695	273	373	274	130	305	133	344	130	404
LPCQ016	50	1833	1988	2154	930	930	775	735	233	373	274	130	305	133	344	130	404
LPCQ020	50	1833	2298	2464	930	930	775	823	272	430	343	146	381	123	410	146	478

Model Size	Panel Thickness (mm)	Inlet Parameter				Coil Parameter					
		J	I	R		M	K	DN-A / DN-B			
				Damper	Flange			1R	2R	4R	6R
LPCQ003	25	775	310	180	60	179	475	40	40	40	40
LPCQ004	25	930	310	180	60	179	475	40	40	40	40
LPCQ006	25	1085	310	180	60	179	633	40	40	50	50
LPCQ008	25	1240	310	180	60	179	792	40	50	50	50
LPCQ010	25	1550	310	180	60	185	780	40	50	50	65
LPCQ012	25	1705	310	180	60	185	780	40	50	50	65
LPCQ014	25	1860	310	180	60	185	780	40	50	50	65
LPCQ016	25	1860	310	180	60	193	892	40	50	65	65
LPCQ020	25	2170	310	180	60	193	956	50	50	65	65
LPCQ003	50	775	310	180	60	179	475	40	40	40	40
LPCQ004	50	930	310	180	60	179	475	40	40	40	40
LPCQ006	50	1085	310	180	60	179	633	40	40	50	50
LPCQ008	50	1240	310	180	60	179	792	40	50	50	50
LPCQ010	50	1550	310	180	60	185	780	40	50	50	65
LPCQ012	50	1705	310	180	60	185	780	40	50	50	65
LPCQ014	50	1860	310	180	60	185	780	40	50	50	65
LPCQ016	50	1860	310	180	60	193	892	40	50	65	65
LPCQ020	50	2170	310	180	60	193	956	50	50	65	65

Note: 1. LPCQ003-008 has one outlet, and LPCQ010-020 has two outlets.

Combined Section Length

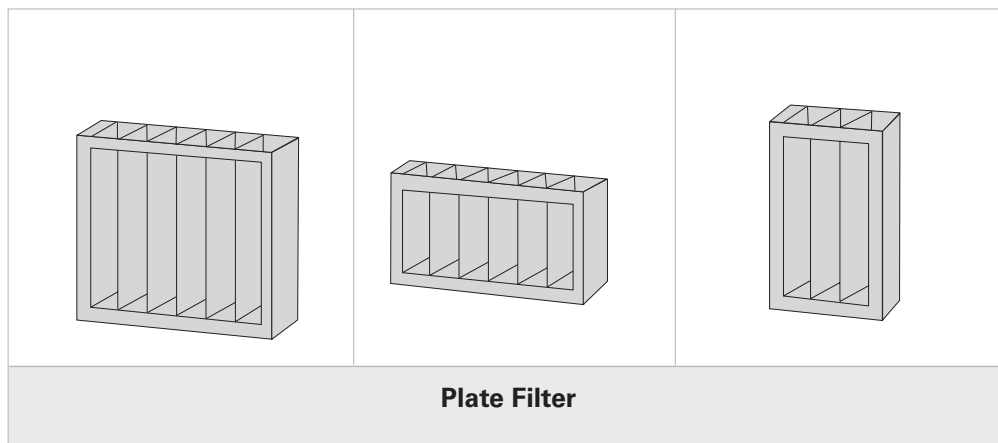
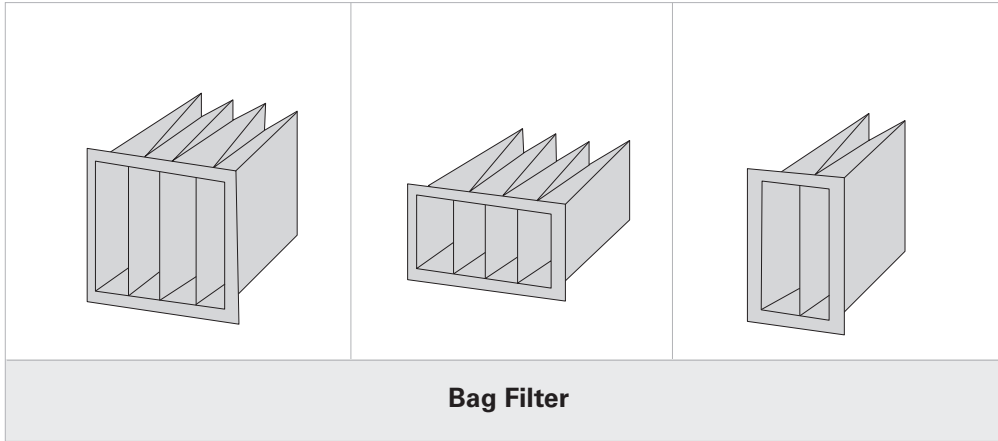
Model Size	Fan Section L1	Coil Section L2	Mixing and Filter Section L3				
			Compose A	Compose B	Compose C	Compose D	Compose E
LPCQ003	620	310	0	310	465	620	775
LPCQ004	620	310	0	310	465	620	775
LPCQ006	775	310	0	310	465	620	775
LPCQ008	775	310	0	310	465	620	775
LPCQ010	775	310	0	310	465	620	775
LPCQ012	775	310	0	310	465	620	775
LPCQ014	930	310	0	310	465	620	775
LPCQ016	930	310	0	310	465	620	775
LPCQ020	930	310	0	310	465	620	775
LPCQ025	1240	310	0	465	620	775	930
LPCQ030	1240	310	0	465	620	775	930
LPCQ035	1395	310	0	465	620	775	930
LPCQ040	1550	310	0	465	620	775	930

Filter Combination Mode							
Mixing Box	Pre-Filter	Medium Plate Filter	Cartridge Filter	Bag Filter	HES Filter	PCO	Combination Mode
	√						Compose A
	√	√					Compose A
√	√						Compose B
√	√	√					Compose C
√	√		√				Compose D
√	√			√			Compose E
√	√				√		Compose E
√	√					√	Compose E

Note: 1. For horizontal type, the unit length $L = L1+L2+L3+78/128$ (25mm/50mm)
 2. For vertical type, when $L2 + 310 \geq L1$, the unit length $L = L2+L3+388/438$ (25mm/50mm);
 When $L2 + 310 < L1$, the unit length $L = L1 + L3 + 78/128$ (25mm/50mm).

Filter Parameter

Filter type



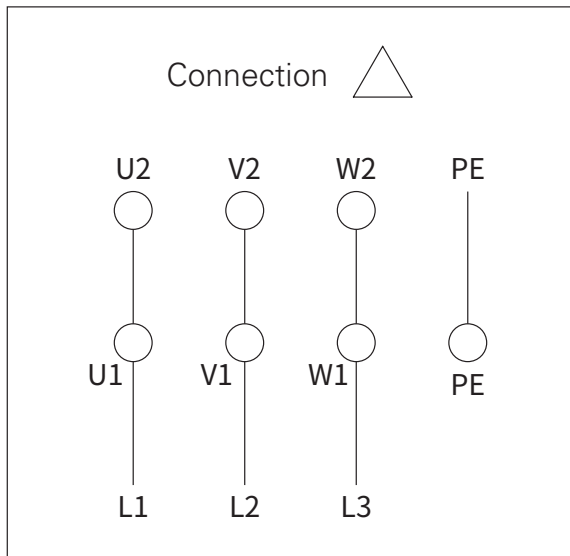
Filter size and assembly quantity

Size	20" x 24"	20" x 32"	20" x 41"	23" x 24"	23" x 32"	23" x 38"	24" x 20"	32" x 20"	38" x 23"
003							1		
004								1	
006									1
008		1			1				
010					2				
012		3							
014					3				
016						3			
020			4						
025				6					
030	4	4							
035				4	4				
040					8				

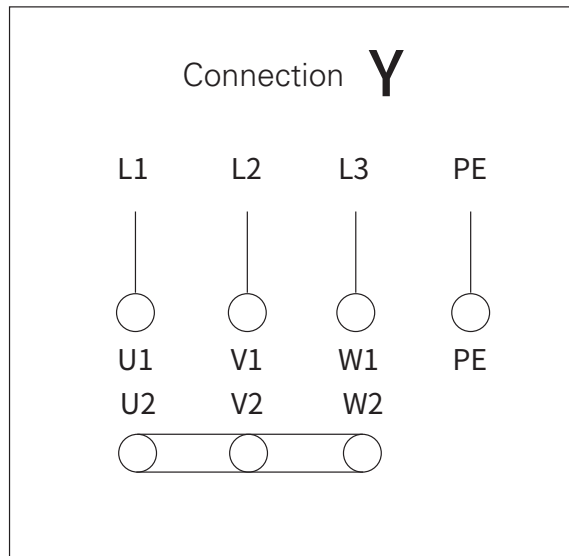
Wiring Diagram

IE2/IE3 Motor wiring diagram

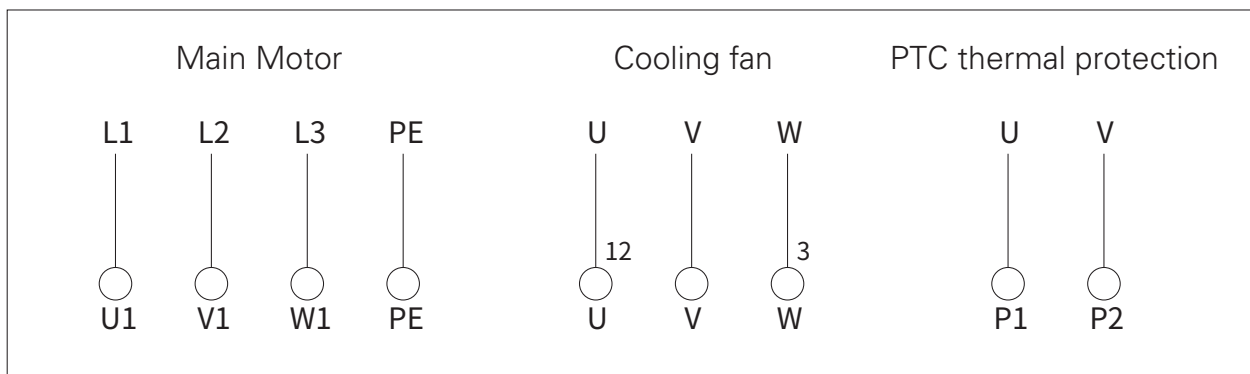
motor size 11kW and below



motor size more than 11kW



Inverten Motor wiring diagram



Trane - by Trane Technologies (NYSE:TT), a global climate innovator - creates comfortable, energy efficient indoor environments for commercial and residential applications. For more information, please visit trane.com or tranetechnologies.com.

Trane has a policy of continuous product and product data improvement and reserves the right to change design and specifications without notice. We are committed to using environmentally conscious print practices.