



INSTALLATION MANUAL

Ceiling Floor 2nd Sensor Module installation instruction

TSENSHIS01A

▲ SAFETY WARNING

Only qualified personnel should install and service the equipment. The installation, starting up, and servicing of heating, ventilating, and air-conditioning equipment can be hazardous and requires specific knowledge and training. Improperly installed, adjusted or altered equipment by an unqualified person could result in death or serious injury. When working on the equipment, observe all precautions in the literature and on the tags, stickers, and labels that are attached to the equipment.

August 2021

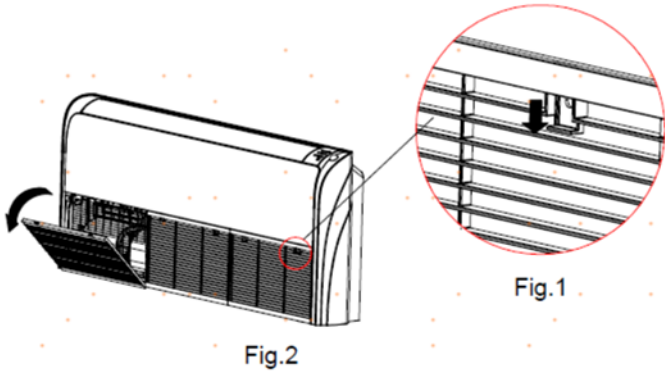
MS-SVN085A-EN

TRANE
TECHNOLOGIES

Ceiling Floor 2nd Sensor Module installation instruction

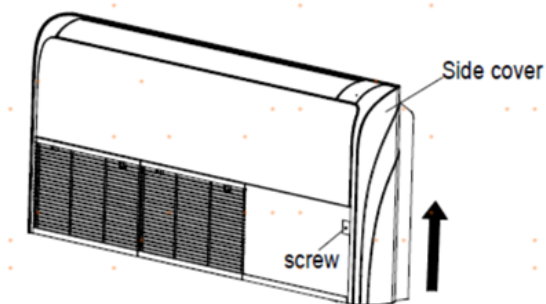
1. Open the intake grill

- (1) Push the embedding switch according to the direction of the arrowhead.(Refer to Fig.1)
- (2) Turn into the intake grill according to the direction of the arrowhead.(Refer to Fig.2)

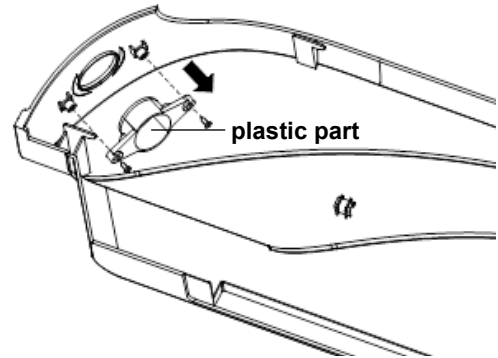


2. Remove the Side cover

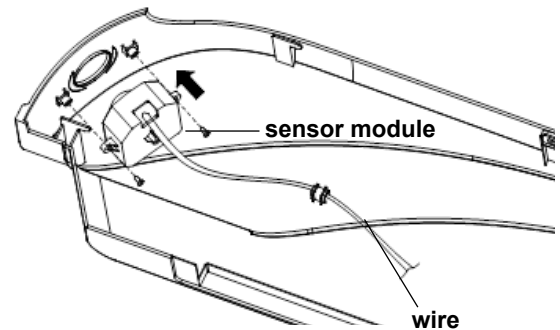
- (1) Remove the screw.
- (2) Push the Side cover according to the direction of the arrowhead.
- (3) Then remove the Side cover.



3. Remove the plastic part of the side cover



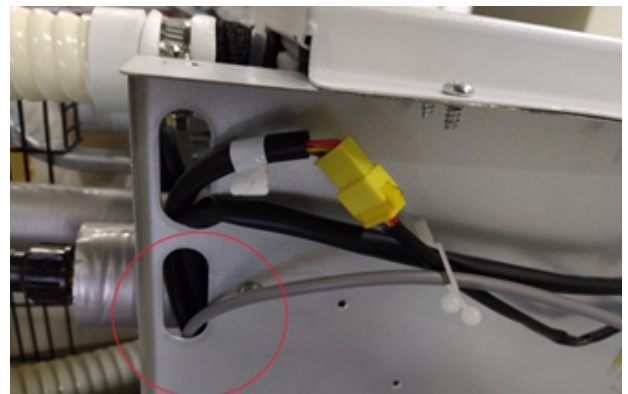
4. Install the sensor module on the right panel



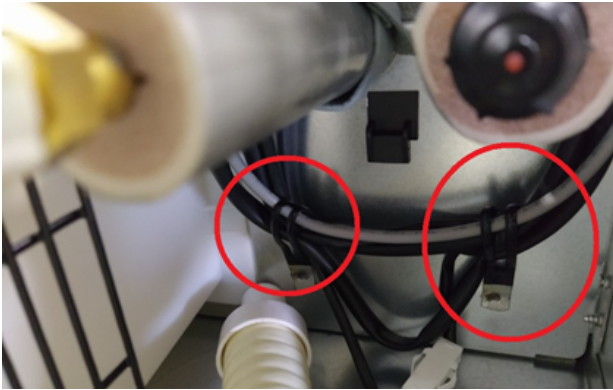
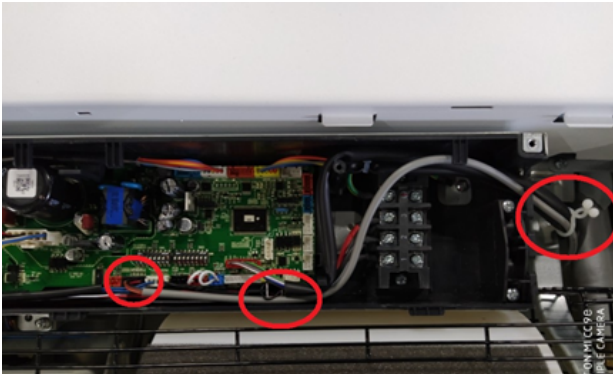
5. Connect the wire of sensor module

- (1) Insert the wire through the bottom hole of the right sheet metal.

Note: no need to distinguish the two terminals, it is same.



(2) Plug the terminal of sensor module on terminal block CN12.
Note: the wire should be connected in order.



6. Restore the right side cover, electric control box cover and air inlet grille.

Trane - by Trane Technologies (NYSE: TT), a global climate innovator - creates comfortable, energy efficient indoor environments for commercial and residential applications. For more information, please visit trane.com or tranetechnologies.com.

Trane has a policy of continuous product and product data improvement and reserves the right to change design and specifications without notice. We are committed to using environmentally conscious print practices.