



SUBMITTAL DATA

Outdoor Unit – 60.000Btu/h | Cooling Only

Model: 4TYK8560B1000AA



Job Name: _____

Date: _____

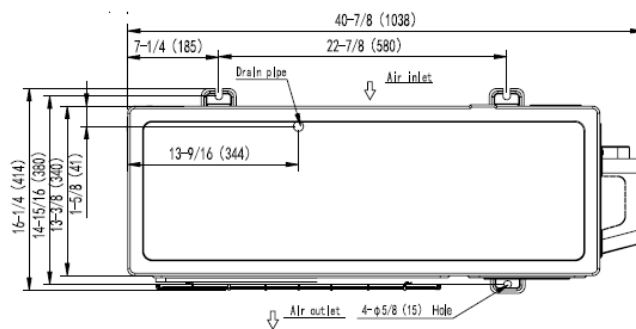
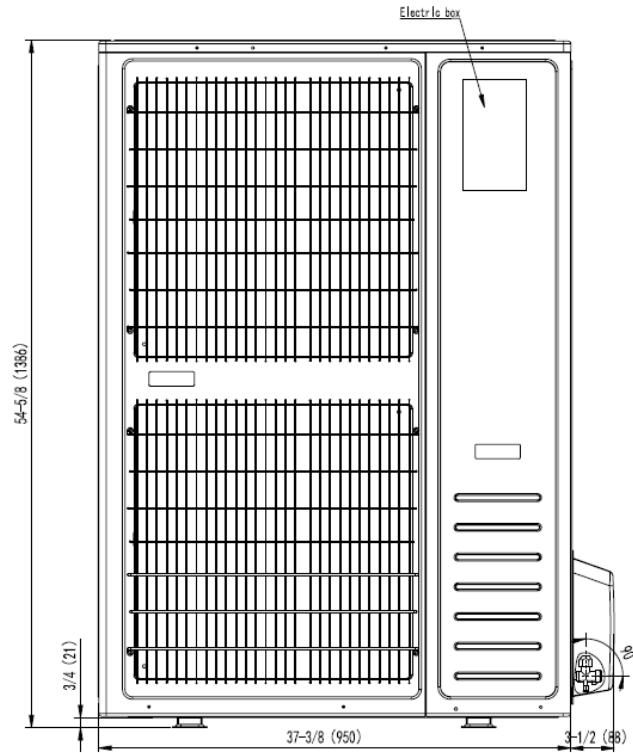
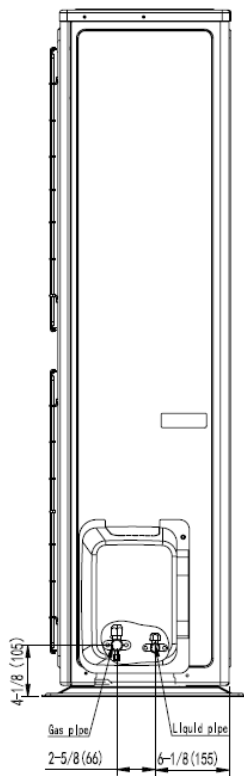
Reference: _____

Location: _____

Commercial Air Conditioner > Outdoor Unit

- Overall Dimensions

Unit: in.(mm)





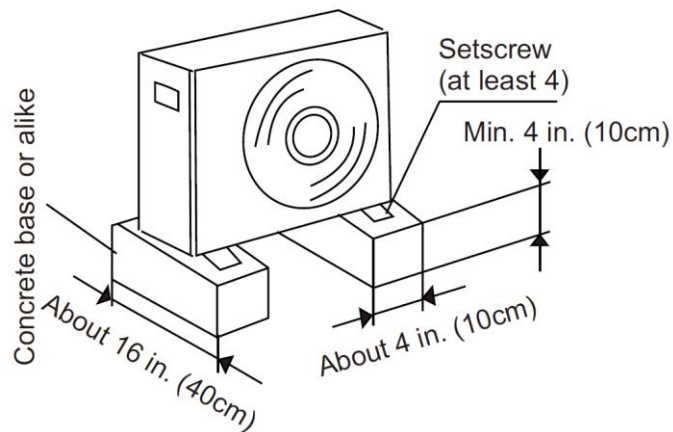
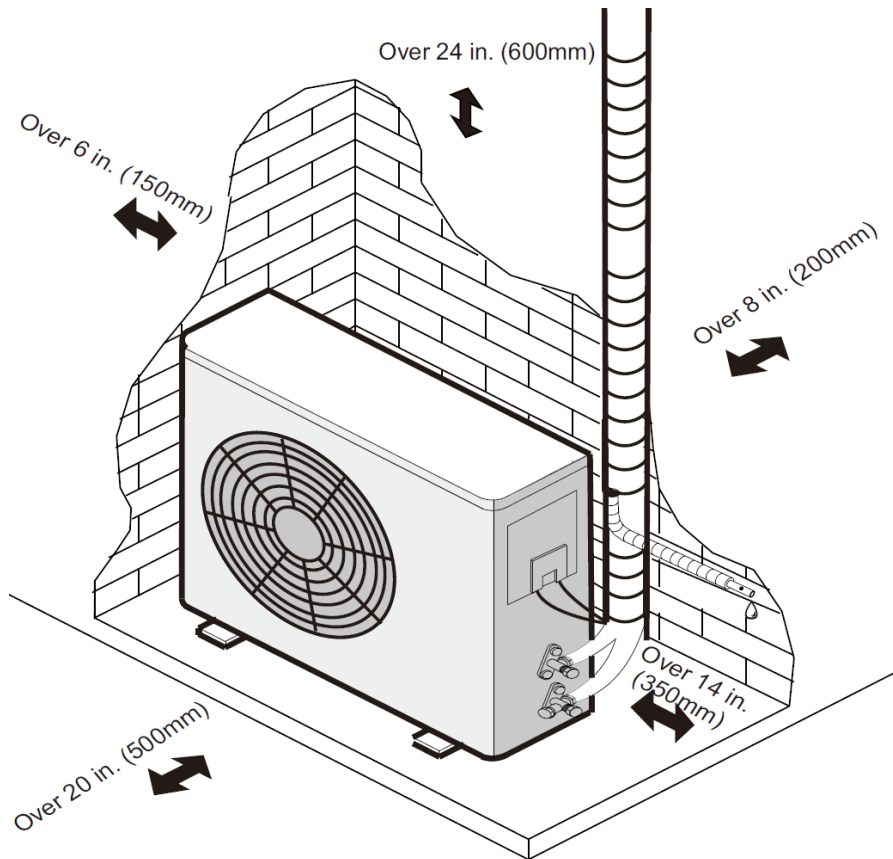
SUBMITTAL DATA

Outdoor Unit – 60.000Btu/h | Cooling Only

Model: 4TYK8560B1000AA



- Installation Space Requirements





SUBMITTAL DATA

Outdoor Unit – 60.000Btu/h | Cooling Only

Model: 4TYK8560B1000AA



- **Specification**

Model Name		4TYK8560B1000AA	
Cooling	Capacity	Btu/h	54000
	Capacity(min-max)	Btu/h	24500-57000
	Capacity(min-max)	W	7180-16705
	Input	W	5400
	Current	A	23.8
	SEER2	Btu/ (W.h)	18
	EER	Btu/ (W.h)	10,00
Electrical Characteristics	Power Supply	V/ph/Hz	208-230/1/60
	Minimum Circuit Amps	A	37
	Maximum Fuse Amps	A	50
	Power cable	No.x AWG	3x8
	Communication cable	No.x AWG	3x16
Outdoor fan motor	Type		DC
	Qty		2
	Output	W	121
	Speed (Hi)	r/min	850
Fan	Outdoor air flow	m ³ /h(CFM)	6000(3525)
	Outdoor noise level (sound pressure) Hi	dB(A)	60
Compressor	Type		Twin ROTARY
	Capacity	Btu/h	41916
	Input	W	3365
	Rated current	A	6,5
Refrigerant type/Quantity	Type		R-410A
	Refrigerant Charge	oz(kg)	152.7(4.33)
	Factory Charge	ft (m)	25 (7.6)
	Additional charge for each ft	oz/ft	0,38
Outdoor unit	Dimension(WxHxD)	mm	950x1386x340
		inch	37-3/8x54-5/8x13-3/8
	Packing(WxHxD)	mm	1110x1530x460
		inch	43-3/4x60-1/4x18-1/8
	Net weight	kg(lbs)	94(207)
Shipping Weight	kg(lbs)	106(233.5)	
Refrigerant piping	Liquid side/ Gas side	mm(inch)	Φ9.52/Φ22.22(3/8"/7/8")
	Max. pipe length	m(ft)	50(164)
	Max. difference in level	m(ft)	30(98)
Operating temperature range	Cooling	°F(°C)	5-125(-15-52)

Notes:

1. Energy efficiency data at full loads under AHRI 210/240 test conditions.
2. Trane Technologies. reserves the right to change product design and specifications at any time without prior notice.
3. Sound pressure level is measured in a semi-anechoic chamber.



Trane optimizes the performance of homes and buildings around the world. The leader in creating and sustaining safe, comfortable and energy efficient environments. Broad portfolio of advanced controls and HVAC systems, comprehensive building services, and parts.

For more information, visit www.tranetechnologies.com.