



Product Catalog

# Hose Kit Accessories

Automatic and Manual Balancing





## Introduction

### Choosing the best flow control balancing device for water-source heat pump equipment just got easier.

Superior circuit balancing of the HVAC equipment is an important aspect to the overall layout and design of the HVAC system. Proper balance of the system can protect the HVAC equipment, while providing a longer equipment life. Superior circuit balancing can save energy by supplying the proper amount of fluid to make your system perform at its highest efficiency.

Trane®'s flow balancing choices have taken the guess work out of system balancing. From the most economical means of system balancing, to an automated flow system, Trane®'s flow kits support a variety of water-source heat pump applications.

The three hose kit choices used in HVAC systems today include:

- Ball valve hose kit with PT ported ball valves
- Manual hose kit with a manual balancing valve
- Automatic, self-balancing flow hose kit

With flow velocities ranging from 0.5 to 60.0 gpm, our automatic balancing device supports a variety of water-source heat pump applications and equipment sizes. It is typically the ideal choice in system balancing, but up-front expense associated to auto flow balancing often deters owners into a manual balancing system.

With automatic flow balancing, the actual money spent on the automatic flow kits, can be quickly made up when the tedious work of balancing, and re-balancing the system is recouped by the installing contractor. And in the event that a new piece of equipment is added to the system, or equipment servicing is required, re-balancing of the entire system is necessary.

Overall accuracy in the balancing of water flow to the equipment may also be in question when using the manual balancing method. Especially in applications where varying cooling requirements may offer a substantial energy savings to the owner. In this application, manual balancing to support varying pump speeds is not practical.

Automatic flow kits are an excellent choice in providing protection through a constant, accurate flow to the equipment.

Regardless of your balancing choice and need, Trane® suggests several alternatives. All hose kits are model number configured to better support a range of decisions made in any given application.

Quality components are an important aspect to installing a fail-proof system. Our hose kits are fully assembled and tested at the manufacturing site to help ensure leaks are non-existent. All flow kits are outfitted with a braided, stainless steel hose on both the supply and the return side of the system. The available hose length options are 18-, 24-, and 36-inches.

Optional components, such as a Y-ball strainer, sustain systems using brackish or hard water. A 2- position isolation valve may be specified in the hose kit design for systems supplying variable water volume control.

For questions in entire system balancing for overall life cycle savings, Trane® has the answer.

## Copyright

This document and the information in it are the property of Trane, and may not be used or reproduced in whole or in part without written permission. Trane reserves the right to revise this publication at any time, and to make changes to its content without obligation to notify any person of such revision or change.

## Trademarks

All trademarks referenced in this document are the trademarks of their respective owners.

## **Revision History**

Updated Automatic Balancing Control section in the Features and Benefits chapter.



# Table of Contents

Model Number Description .....	5
Features and Benefits.....	7
Ball Valve Flow Control.....	7
Manual Balancing Flow Control .....	8
Automatic Balancing Valve .....	9
Self-Balancing Hose Kits.....	13



# Model Number Description

## Digit 1 — Hose Kit Type

- 4 = Automatic inline hose kit
- 6 = Automatic Y-body hose kit
- 3 = Automatic inline hose kit with zone valve
- 5 = Automatic Y-body hose kit with zone valve
- 7 = Ball valve or manual hose kit with zone valve
- 8 = Ball valve or manual hose kit

## Digit 2 — Hose Kit Diameter

- 0 = 1/2" Diameter hose
- 1 = 3/4" Diameter hose
- 2 = 1" Diameter hose
- 3 = 1 1/4" Diameter hose
- 4 = 1 1/2" Diameter hose
- 5 = 2" Diameter hose

## Digit 3 — Hose Length

- 1 = 18" Stainless steel hose
- 2 = 24" Stainless steel hose
- 3 = 36" Stainless steel hose

## Digit 4 — Strainer Option

- 0 = No strainer
- 3 = Strainer with blow-down valve and hose connector

## Digit 5 — Supply Ball Valve

- 4 = Supply ball valve with pressure temperature port

## Digit 6 — Return Ball Valve

- 1 = Return ball valve (no options)
- 4 = Return ball valve with pressure temperature port

## Digit 7–10 — Flow Control

**Note:** If 0.00 Manual Controls is selected for digits 7-10, the Cv ratings will need to be selected for digits 14-15. If Automatic Balancing is required, the flow rate (gpm) must be selected for digits 7-10, and 00 must be selected for digits 14-15.

- A.AA = Ball valve hose Kit
- 0.00 = Manual balancing valve flow control
- 0.50 = 0.5 gpm
- 0.63 = 0.63 gpm
- 0.75 = 0.75 gpm
- 1.00 = 1.00 gpm
- 1.13 = 1.13 gpm
- 1.25 = 1.25 gpm
- 1.50 = 1.50 gpm
- 1.63 = 1.63 gpm
- 1.75 = 1.75 gpm
- 2.00 = 2.00 gpm

## Digit 7–10 — Flow Control (continued)

- 2.25 = 2.25 gpm
- 2.50 = 2.50 gpm
- 3.00 = 3.00 gpm
- 3.25 = 3.25 gpm
- 3.50 = 3.50 gpm
- 4.00 = 4.00 gpm
- 4.50 = 4.50 gpm
- 5.00 = 5.00 gpm
- 5.50 = 5.50 gpm
- 6.00 = 6.50 gpm
- 7.00 = 7.00 gpm
- 7.50 = 7.50 gpm
- 8.00 = 8.00 gpm
- 9.00 = 9.00 gpm
- 10.0 = 10.0 gpm
- 11.0 = 11.0 gpm
- 12.0 = 12.0 gpm
- 13.0 = 13.0 gpm
- 14.0 = 14.0 gpm
- 15.0 = 15.0 gpm
- 16.0 = 16.0 gpm
- 18.0 = 18.0 gpm
- 20.0 = 20.0 gpm
- 22.0 = 22.0 gpm
- 25.0 = 25.0 gpm
- 26.0 = 26.0 gpm
- 27.0 = 27.0 gpm
- 28.0 = 28.0 gpm
- 29.0 = 29.0 gpm
- 31.0 = 31.0 gpm
- 32.0 = 32.0 gpm
- 33.0 = 33.0 gpm
- 34.0 = 34.0 gpm
- 35.0 = 35.0 gpm
- 36.0 = 36.0 gpm
- 37.0 = 37.0 gpm
- 38.0 = 38.0 gpm
- 39.0 = 39.0 gpm
- 40.0 = 40.0 gpm
- 41.0 = 41.0 gpm
- 42.0 = 42.0 gpm
- 43.0 = 43.0 gpm
- 44.0 = 44.0 gpm
- 45.0 = 45.0 gpm
- 46.0 = 46.0 GPM
- 47.0 = 47.0 gpm
- 48.0 = 48.0 gpm
- 49.0 = 49.0 gpm
- 50.0 = 50.0 gpm
- 51.0 = 51.0 gpm
- 52.0 = 52.0 gpm
- 53.0 = 53.0 gpm
- 54.0 = 54.0 gpm
- 55.0 = 55.0 gpm
- 56.0 = 56.0 gpm
- 57.0 = 57.0 gpm
- 58.0 = 58.0 gpm
- 59.0 = 59.0 gpm
- 60.0 = 60.0 gpm

## Digit 11 — Memory Stop Option

- 0 = No memory stop
- 7 = Memory stop (for ball valve hose kit)
- 8 = Memory stop (for manual balancing valve)

## Digit 12 — Reducer Option

- 0 = No reducer
- R = Reducer to decrease one size

## Digit 13 — Isolation Valve

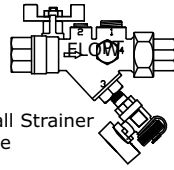
- 0 = No zone valve
- R = Zone valve

## Digit 14-15 — Manual Flow Control

- 00 = \*\*\*
- AA = 0.23 Cv (1/2" hose)
- BA = 0.46 Cv (1/2" hose)
- CA = 0.55 Cv (1/2" hose)
- DA = 0.87 Cv (1/2" hose)
- EA = 1.1 Cv (3/4" hose)
- FA = 1.8 Cv (1/2" hose)
- GA = 2.2 Cv (3/4" hose)
- HA = 2.3 Cv (1" hose)
- JA = 3.3 Cv (1/2" hose)
- KA = 4.0 Cv (3/4" hose)
- LA = 5.4 Cv (1/2" hose)
- MA = 5.4 Cv (1" hose)
- NA = 5.5 Cv (1 1/4" hose)
- PA = 6.7 Cv (3/4" hose)
- RA = 9.2 Cv (1" hose)
- SA = 9.8 Cv (1 1/4" hose)
- TA = 13 Cv (2" hose)
- UA = 14 Cv (1 1/2" hose)
- VA = 19 Cv (1 1/2" hose)
- WA = 20 Cv (1" hose)
- XA = 20 Cv (1 1/4" hose)
- YA = 24 Cv (1 1/4" hose)
- ZA = 34 Cv (2" hose)
- ZD = 44 Cv (1 1/2" hose)
- ZP = 56 Cv (2" hose)

## Model Number Description

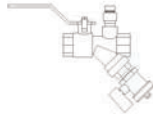
---



1-1/2" to 2" Dia. YBall Strainer  
with Blow Down Valve  
and Hose Connector



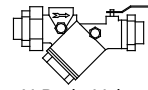
Stainless Steel Supply/Return Hoses



1/2" to 1-1/4" Dia.  
YBall Strainer  
with Blow Down Valve  
and Hose Connector



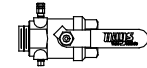
Mesurflo In-line Automatic  
Balancing Valve  
1/2" to 1 1/4" Dia.



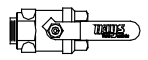
Y-Body Valve  
1/2" to 1 1/4" Dia.



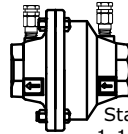
1/2" to 1"  
Zone Valve



Ball Valve  
with P/T Port

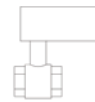


Return Ball Valve  
No P/T Port



Standard Valve  
1-1/2" to 2" Dia.

Mesurflo In-line Automatic Balancing Valve



1-1/4" to 2-1/2"  
Zone Valve



Step-Down Reducer

# Features and Benefits

## Ball Valve Flow Control

Traditionally, the first choice in a balancing device on a water-source heat pump application is the lowest first cost option. In water-source heat pump fluid flow balancing, this typically employs a manual balancing (ball valve) device with hoses. This method utilizes pressure/temperature (P/T) measurement ports on the ball valves at the entering and leaving side of the heat pump so that pressures and temperatures can be measured within the water piping. A ball valve is then manually throttled to change the amount of flow to the unit to reach the desired temperature or pressure differential.

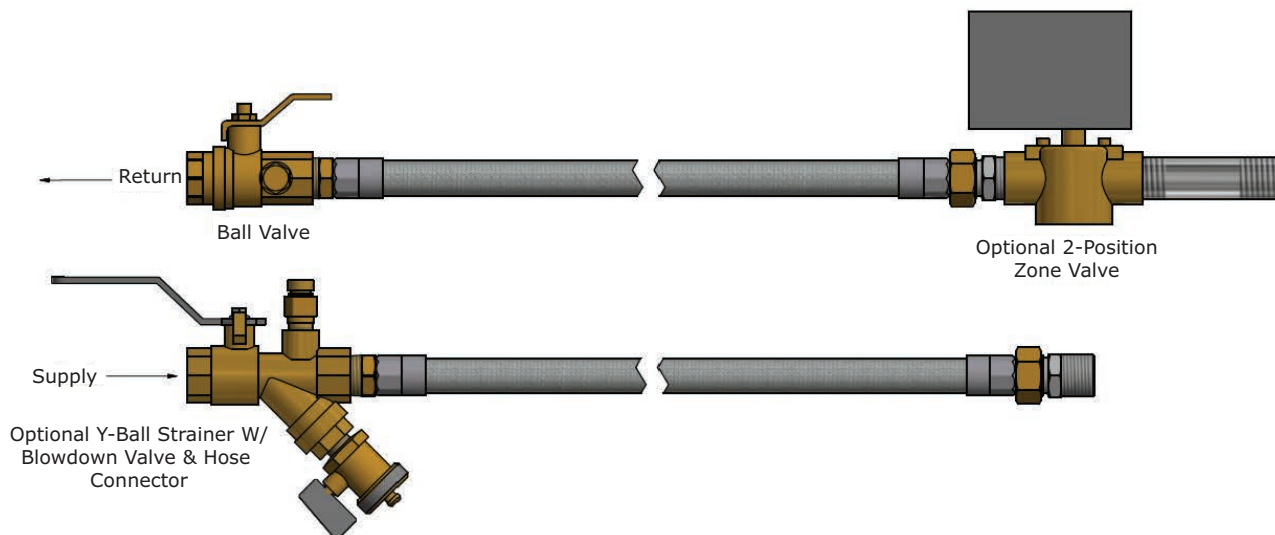
### Advantages

- Low first cost
- Direct access to the water-loop through P/T port for future trouble shooting
- Temperature and pressure measurements can cross check balancing
- Better water temperature measurement than external sensors

### Disadvantages

- Flow accuracy of  $\pm 25\%$
- Each unit must be balanced multiple times because of changing system conditions in balancing other units
- Integral differential temperature balancing is less accurate than differential pressure balancing
- Pressure drop of hose and fittings must be accounted for in differential pressure measurements

Figure 1. Ball valve hose kit



### Ball valve flow control hose kit is equipped with:

- (2) Stainless steel braided hoses with brass end fittings containing fiber washers.
- (2) Brass ball valves with brass ball with optional P/T port on return side.
- (1) Optional electronic zone valve for variable water volume control.



## Features and Benefits

(1) Optional Y-ball strainer with brass cap and stainless steel mesh screen (includes blow down valve and hose connector).

**Table 1. Ball valve Cv factors**

	1/2"	3/4"	1"	1-1/4"
90-Degree (open)	32	50	80	90

**Table 2. Strainer Cv factors**

Strainer Size	Cv
1/2"	5.1
3/4"	15
1"	27
1-1/4"	50

**Note:** Pressure drop information can be derived from the formula below:

$$DP = \frac{Q^2 Sp}{Cv^2}$$

Q = flow in gpm  
 Sp = specific gravity  
 DP = pressure drop in psi  
 Cv = flow coefficient

## Manual Balancing Flow Control

Another choice in manual fluid flow balancing of a water-source heat pump includes a Hays™ manual balancing valve circuit setter flow control option. This manual balancing method uses an in-line flow measurement device and an adjustment feature to measure and set flow rates at each heat pump.

### Advantages

- In-line flow measurement device
- Easier to use than traditional or differential pressure/differential temperature methods

### Disadvantages

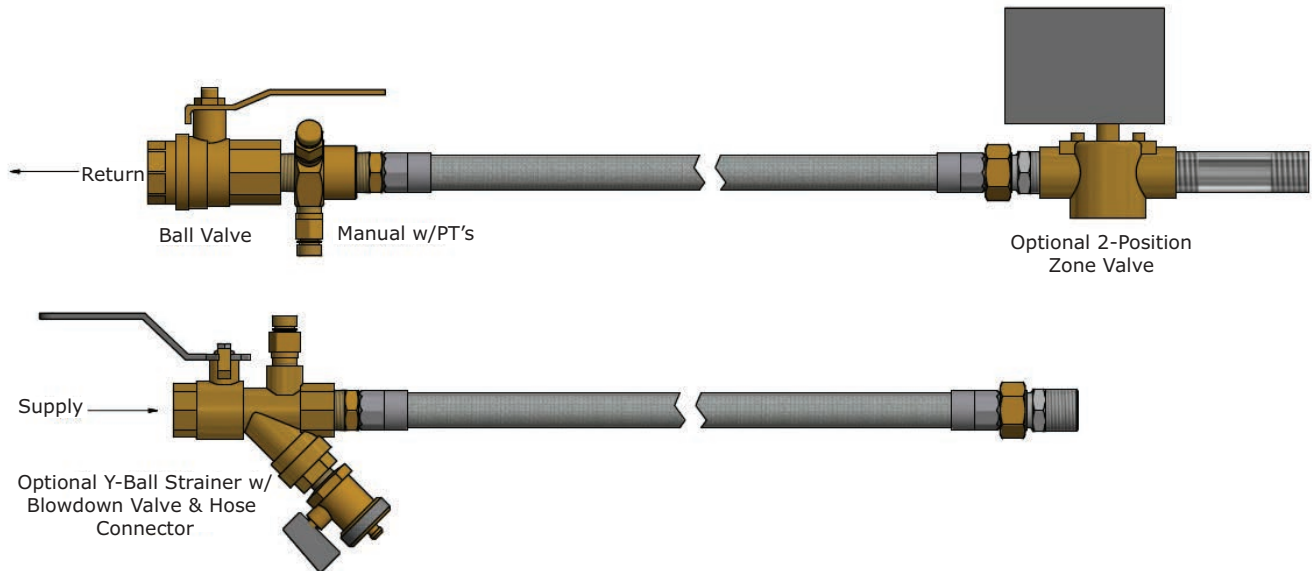
- Flow accuracy of ±20%
- Higher pressure drop of circuit setters result in additional pumping energy costs (a 3/4" circuit setter with 8-gpm flowing has 15-feet of pressure drop)
- Direct readout of flow rate is not possible with a manual balancing valve
- Each unit must be balanced multiple times because of changing system conditions in balancing other equipment

### Manual flow control hose kit is equipped with:

- (2) Stainless steel braided hoses with brass end fittings containing fiber washers.
- (1) Brass ball valve (supply) with optional P/T port.
- (1) Brass manual valve (return) includes memory stop positive shut-off and dual P/T ports.
- (1) Optional electronic zone valve for variable water volume control.
- (1) Optional Y-ball strainer with brass cap and stainless steel mesh screen (includes blow down valve and hose connector).



Figure 2. Manual balancing valve hose kit



Size	Cv Value	Min-Max gpm
1/2"	0.23	0.2-0.5
	0.46	0.3-1.0
	0.87	0.6-1.9
	1.8	1.3-4.0
	3.3	2.3-7.4
	5.4	3.8-12.1

Size	Cv Value	Min-Max gpm
3/4"	0.55	0.4-1.2
	1.1	0.8-2.5
	2.2	1.6-4.9
	4.0	2.8-8.9
	6.7	4.7-15

Size	Cv Value	Min-Max gpm
1"	2.3	1.6-5.1
	5.4	3.8-12.1
	9.2	6.5-20.6
	20	14.1-44.7

Size	Cv Value	Min-Max gpm
1-1/4"	5.5	3.9-12.3
	9.8	6.9-21.9
	20	14.1-44.7
	24	17.0-53.7

Size	Cv Value	Min-Max gpm
1-1/2"	14	9.9-31.3
	19	13.4-42.5
	44	31.1-98.4

Size	Cv Value	Min-Max gpm
2"	13	9.2-29.1
	34	24.0-76.0
	56	39.6-125.2

## Automatic Balancing Valve

For the latest Hays™ Fluid Controls specification, please reference the following site: <http://flowcontrolvalves.haysfluidcontrols.com/category/automatic-balancing-valves>

For automatic balancing of a water-source heat pump, the Hays Fluid Controls automatic hose kit provides a constant flow rate over the pressure differential range of differential operating pressure: 2-80 psid 0.50-5.00 gpm, 3-80 psid 5.50-9.00 gpm

At low differential pressure, the flow area required to achieve higher flow can exceed the flow area available for the respective series. Therefore, the minimum pressure differential requirement is increased for the higher flow ranges of each series Mesurflo® valve.

As system pressures change (through further addition of heat pumps, for example) each individual flow control valve will automatically adjust to the new system conditions.

## Features and Benefits

In variable water volume applications, there can be large variations in the system water pressure. These pressure changes can adversely affect the system balance and heat pump operation. A self balancing hose kit can provide continuous balancing in this application because of its ability to automatically adjust to the varying system conditions.

### Advantages

- Flow accuracy of  $\pm 10\%$
- Broader application in variable water volume pumping systems
- Greater flow accuracy results in operation closest to design, with least tenant complaints
- Only one pressure differential range of 2 to 80 psid<sup>1</sup>
- Labor savings during balancing can offset increased material cost
- Same or less cost as manual balancing hose kits on smaller diameter hose kits

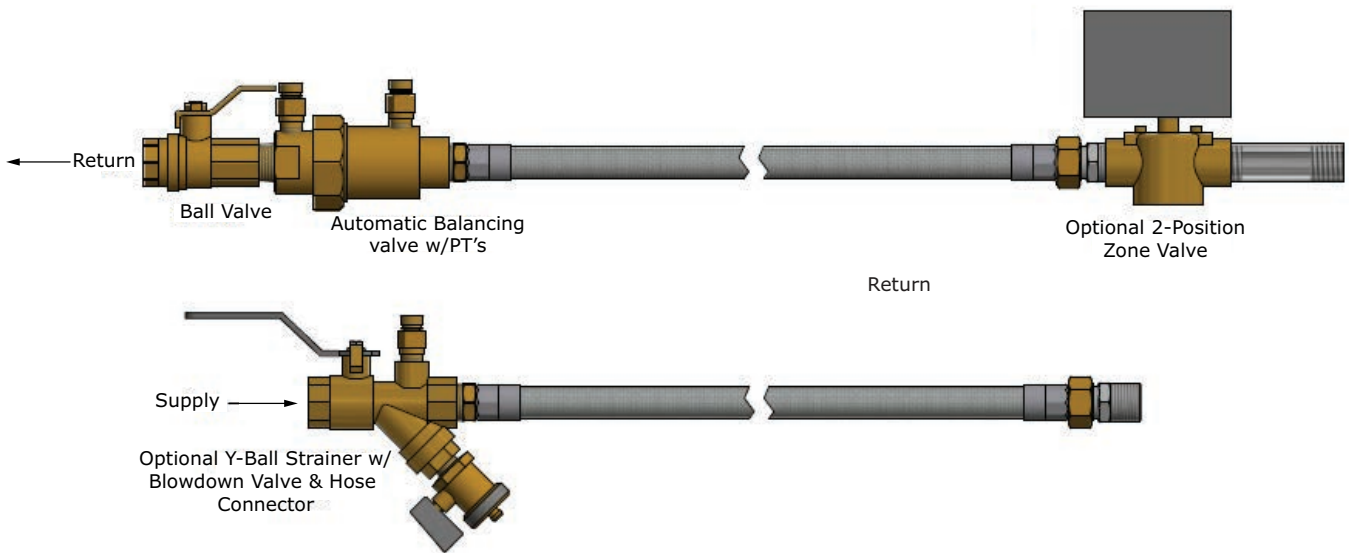
### Disadvantages

- Greater first cost over other manual balancing methods

### Automatic balancing valve hose kit is equipped with:

- Stainless steel braided hoses with brass end fittings containing fiber washers
- Brass manual shut-off valves with P/T port on supply side
- Brass self-balancing valve
- Optional electronic zone valve for variable water volume control
- Optional brass Y-ball strainer with brass cap and stainless steel mesh screen (includes a blow down valve and hose connector).

**Figure 3. Automatic balancing valve hose kit**



**Table 3. Hose kit selection vs. heat pump tonnage**

Tonnage (Tons)	Closed Loop Applications		Closed Loop Applications (50-55°F)	
	Flow (gpm)	Pipe Size (in)	Flow (gpm)	Pipe Size (in)
3/4	2.25	1/2	1.0	1/2
1	3.0	1/2	1.5	1/2

<sup>1</sup>. At low differential pressure the flow area required to achieve higher flow can exceed the flow area available for the respective series. Therefore, the minimum pressure differential requirement is increased for the higher flow ranges of each series Mesureflo® valve.

**Table 3. Hose kit selection vs. heat pump tonnage (continued)**

Tonnage (Tons)	Closed Loop Applications		Closed Loop Applications (50-55°F)	
	Flow (gpm)	Pipe Size (in)	Flow (gpm)	Pipe Size (in)
1¼	3.5	1/2	2.0	1/2
1½	4.5	1/2	2.0	1/2
2	6.0	3/4	2.5	1/2
2½	7.0	3/4	3.5	1/2
3	8.0	3/4	4.0	1/2
3½	10	1	4.5	1/2
4	12	1	5.0	3/4
5	14	1¼	7.0	3/4
6	18	1¼	8.0	3/4
7	20	1¼	9.0	1
10	28	1½	14	1¼
15	42	2	29	1¼
20	56	2	30	1½

**Note:** Consult heat pump manufacturer for other temperature applications.

**Table 4. Kit w/ATC, 1 ball valve, Y-ball strainer & Mesurflo® automatic balancing valve, 24" hose**

Flow Rate	1/2 (in)	3/4 (in)	1 (in)	1¼ (in)	1½ (in)
	3.5 Cv	4.7 Cv	6.5 Cv	41.1 Cv	41.3 Cv
0.5	2.08	2.02			
1	2.34	2.09	2.04		
1.5	2.76	2.2	2.10	2.01	2.01
2	3.34	2.35	2.18	2.01	2.01
2.5	4.01	2.54	2.28	2.02	2.01
3	5.02	2.78	2.4	2.03	2.02
3.5	6.12	3.06	2.55	2.04	2.03
4	7.37	3.39	2.72	2.05	2.04
4.5	8.8	3.76	2.91	2.07	2.05
5	10.4	4.17	3.12	2.08	2.06
6	15.09	6.12	4.62	3.12	3.08
7	21.46	9.25	7.2	3.16	3.11
8	26.5	10.55	7.88	3.21	3.15
9		12.03	8.64	3.27	3.19
10		11.68	7.49	3.33	3.23
12		15.49	9.47	3.48	3.33
14		20.01	11.81	3.65	3.45
16		25.21	14.51	3.86	3.59
18		31.11	17.56	4.08	3.74
20		37.71	20.97	4.34	3.92



## Features and Benefits

**Table 4. Kit w/ATC, 1 ball valve, Y-ball strainer & Mesurflo® automatic balancing valve, 24" hose (continued)**

Flow Rate	1/2 (in)	3/4 (in)	1 (in)	1¼ (in)	1½ (in)
	3.5 Cv	4.7 Cv	6.5 Cv	41.1 Cv	41.3 Cv
25		57.23	31.08	5.09	4.43
30			44.44	7.01	6.06
35			59.04	8.09	6.81
40			75.89	9.34	7.67
45			94.99	10.76	8.64
50			116.33	12.35	9.73
55				14.1	10.93
60				16.02	12.25

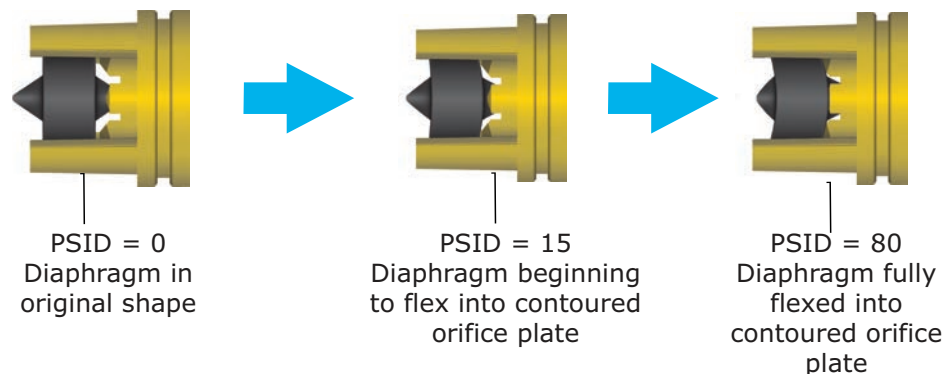
**Table 5. Kit, 1 ball valve, Y-ball strainer & Mesurflo® automatic balancing valve, 24" hose**

Flow Rate	1/2 (in)	3/4 (in)	1 (in)	1¼ (in)	1½ (in)
0.5	2.06	2.01			
1	2.25	2.04	2.02		
1.5	2.57	2.09	2.05	2.01	
2	3.02	2.17	2.09	2.01	2.01
2.5	3.59	2.26	2.13	2.02	2.01
3	4.29	2.37	2.19	2.02	2.02
3.5	5.12	2.51	2.26	2.03	2.02
4	6.07	2.66	2.34	2.04	2.03
4.5	7.15	2.84	2.43	2.06	2.03
5	8.36	3.04	2.53	2.07	2.04
6	12.15	4.49	3.77	3.1	3.06
7	17.46	7.03	6.04	3.13	3.11
8	21.27	7.66	6.36	3.18	3.11
9		8.36	6.72	3.22	3.14
10		7.15	11.9	3.27	3.17
12		8.98	6.06	3.4	3.25
14		11.13	7.17	3.54	3.33
16		13.62	8.44	3.7	3.44
18		16.45	9.89	3.89	3.55
20		19.6	11.5	4.1	3.68
25			16.29	4.72	4.07
30			23.14	6.47	5.54
35			30.05	7.37	6.09
40			38.02	8.4	6.73
45			47.06	9.56	7.45
50			50.0	10.87	8.26
55				12.31	9.16
60				13.89	10.14

## Self-Balancing Hose Kits

The Mesurflo® automatic balancing valve contains a rubber diaphragm that is designed to flex into a contoured orifice plate. This allows the valve to decrease the water flow path as pressure increases. The pressure differential ranges of a Mesurflo® automatic balancing valve covers 2 to 80 psid<sup>2</sup>. The flexing of the rubber diaphragm against the fixed orifice plate makes the Mesurflo® valve difficult to clog and resistant to cavitation damage. Outside of the pressure differential window, the controller continues to perform as high as 150 psid, but does not become a fixed orifice.

**Note:** *The automatic balancing valve is a constant flow rate device that contains a variable orifice to govern water flow. Since it is a variable orifice, it can not be described with a Cv or a pressure drop at a given flow for piping system design purposes. Conversely, the designer may assume a constant flow rate over the pressure differential range of 2–5 to 80 psid as one uses constant pressure in system design.*



There are three features that every self-balancing valve should possess to accomplish the job of automatically balancing an HVAC system in the industry. The valve should be:

- Non Clogging
- Quiet
- Accurate

### Non Clogging

The live flexing action of the elastomeric diaphragm against the orifice seat permits passage of reasonably sized particles of sludge, rust balls, thread chips, and other debris. Because the working parts are of a two piece design, they are resistant to fouling. Back pressure forces the diaphragm away from the orifice seat allowing any debris to be back-flushed away. Mesurflo® is the only balancing valve that provides unrestricted flow during back flush.

### Quiet

By design, the Mesurflo® automatic balancing valve is inherently quiet. The only moving part is an elastomeric polymer diaphragm in an orifice seat that is made from polyphenylsulfone. Together, these materials have a natural sound deadening ability. The Mesurflo® valve neither clicks nor is noisy, and has only one control range.

### Accurate

What does accurate mean? Is it the stable, predictable delivery of thermal energy in a hydronic system? The Mesurflo® valve is accurate  $\pm 10\%$ , that equates to 99.8% heat transfer. Because the polymer diaphragm compensates for changes in fluid temperature the valve provides stable thermal system performance. The addition of antifreeze to the fluid further increases the need for the offsetting characteristics of the Mesurflo® automatic valve.

<sup>2</sup> At low differential pressure the flow area required to achieve higher flow can exceed the flow area available for the respective series. Therefore, the minimum pressure differential requirement is increased for the higher flow ranges of each series Mesurflo® valve.



### Hose Kit Specifications

#### Ball Valve Flow Control

Each kit contains two ball valves, two flexible hoses, and may include a high flow Y-ball strainer and various other accessories.

#### Manual Balancing

Each kit contains two manual ball valves, one Hays™ Mesurmeter (with Venturi Cv insert), two flexible hoses, and may include a high flow Y-strainer and various other accessories.

The manual balancing valve body and ball valve are constructed from brass. It contains a maximum working pressure of 400 psi with a maximum flow temperature of 32–225°F (operating temperature range) and a minimum flow temperature of 15°F (-10°C).

#### Automatic Balancing Control

Each kit contains a Hays Fluid Controls automatic balancing valve, two ball valves, two flexible hoses, a high flow Y-ball strainer, and includes a blow-down and various other accessories.

The automatic balancing valve is factory set to a rated flow, and shall automatically control the flow to within 10% of the rated value over a 40 to 1 differential pressure, operating range (2-80 psid 0.50-5.00 gpm, 3-80 psid 5.50-9.00 gpm<sup>3</sup>). Operational temperature is rated 32–225°F. The valve body is constructed from hot forged brass UNS C37700 per ASTM B-283 latest revision.

The ball valve is constructed from forged brass with either a chromed brass ball or 316 stainless steel ball valve construction. It is rated from fluid 32–225°F. Valve bodies are suitable for 400 psig, with a working pressure rating per ASTM A53B threaded joint type. A pressure/temperature test port is provided for verifying the pressure differential and system temperature.

All supply and return hoses are equipped with swivel end connections. All end connections are permanently crimped to meet state pressure ratings.

½" to 1¼" hose material is EPDM rubber.

Hose material is stainless steel braid over an EPDM liner, and bonded to the braid. Hoses are rated for 32-225°F.

½" to 1¼" hose connectors are permanently crimped. Swivels shall be BP with a male NPT. Adapters are fixed male NPT. All connections are brass and have reusable thread sealant pre-applied to the tapered pipe threads.

1½" and larger hose materials are a single stainless steel braid over a corrugated type 321 stainless steel tube, butt welded to carbon steel end fittings with either individual or integrated brass unions. Operational temperature are rated from 25°F-225°F.

Hoses are rated for a maximum working pressure of 400 psi. Minimum burst pressure is four times the working pressure.

The Y-ball strainer body is constructed of brass with a brass cap. The cap is sealed with a non asbestos gasket. The strainer body is suitable for 400 psig, with a maximum pressure rating of 400. The strainer screen is 304 stainless steel with 20-mesh. The strainer is ported with female pipe thread per ASME/ANSI b1.20.1, and B31.9.

The 2 position (on/off), 24V, normally closed, spring return motorized zone valve is installed on the return side of the system. The valve will open when the unit compressor begins running to allow water flow through the unit. As the compressor shuts down, the valve will slowly close off water through the unit to reduce water consumption.

The hoses supplied comply to NFPA 101 Class A, Flame Spread Index and Smoke Developed Index requirements (fire tested in accordance to ASTM E84-19b).

<sup>3</sup>. At low differential pressure the flow area required to achieve higher flow can exceed the flow area available for the respective series. Therefore, the minimum pressure differential requirement is increased for the higher flow ranges of each series Mesurflo® valve.





Trane - by Trane Technologies (NYSE: TT), a global innovator - creates comfortable, energy efficient indoor environments for commercial and residential applications. For more information, please visit [trane.com](http://trane.com) or [tranetechnologies.com](http://tranetechnologies.com).

Trane has a policy of continuous product and product data improvements and reserves the right to change design and specifications without notice. We are committed to using environmentally conscious print practices.

WSHP-PRC025H-EN 02 Dec 2020  
Supersedes WSHP-PRC025G-EN (April 2020)

©2020 Trane