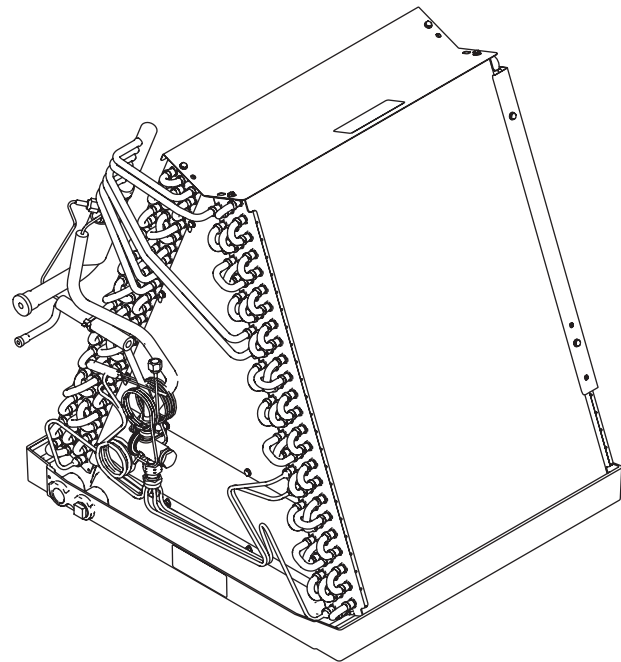




Uncased Vertical Aluminum Upflow Cooling/HP Coils 2 – 5 Ton

4PXA

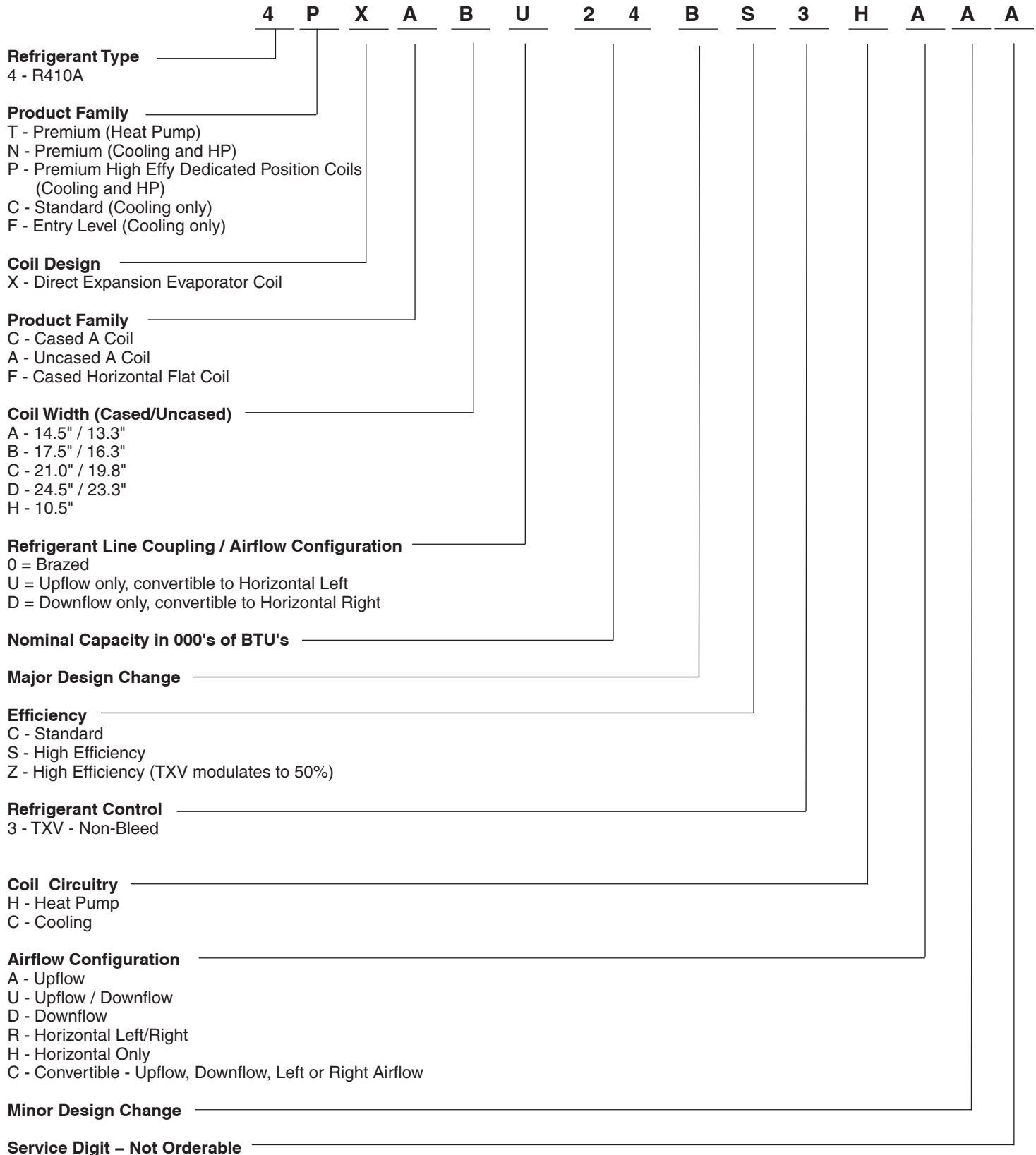
Heat Pump / Cooling Coils for R-410A



22-1903-2A-EN



Aluminum Heat Pump Coil Nomenclature





General Data

PRODUCT SPECIFICATIONS^[1] -- 4PXA – SPLIT SYSTEM HEAT PUMP / COOLING UNCASED UPFLOW COMFORT™ COILS

	4PXA AU24BS3HAA	4PXABU24BS3HAA	4PXABU30BS3HAA	4PXACU30BS3HAA
INDOOR COIL -- Type	PLATE FIN	PLATE FIN	PLATE FIN	PLATE FIN
Rows / F.P.I.	2 / 20	2 / 20	3 / 14	3 / 14
Face Area (sq.ft.)	3.0	3.0	3.5	3.5
Tube Size	3/8	3/8	3/8	3/8
Refrigerant Control (Internal check valve)	Non-Bleed TXV	Non-Bleed TXV	Non-Bleed TXV	Non-Bleed TXV
Drain Conn. Size (in.)	3/4 NPT	3/4 NPT	3/4 NPT	3/4 NPT
Duct Connections	See outline drawing	See outline drawing	See outline drawing	See outline drawing
REFRIGERANT CONNECTIONS	R-410A BRAZED	R-410A BRAZED	R-410A BRAZED	R-410A BRAZED
Line Size -- Gas (in.)	3/4	3/4	3/4	3/4
Line Size -- Liquid (in.)	3/8	3/8	3/8	3/8
DIMENSIONS (in.)	H X W X D	H X W X D	H X W X D	H X W X D
Crated (H x W x D)	21.35 x 17.5 x 26.5	21.35 x 20.5 x 26.5	21.35 x 20.5 x 26.5	21.35 x 24 x 26.5
Uncrated	14.7 x 13.3 x 21.1	14.5 x 16.3 x 21.1	15.8 x 16.3 x 21.1	15.8 x 19.8 x 21.1
WEIGHT (lbs)				
Shipping -- Net	28 / 20	30 / 22	34 / 26	36 / 28
	4PXABU36BS3HAA	4PXACU36BS3HAA	4PXABU42BS3HAA	4PXACU42BS3HAA
INDOOR COIL -- Type	PLATE FIN	PLATE FIN	PLATE FIN	PLATE FIN
Rows / F.P.I.	3 / 12	3 / 12	3 / 14	3 / 14
Face Area (sq.ft.)	5.0	5.0	5.5	5.5
Tube Size	3/8	3/8	3/8	3/8
Refrigerant Control (Internal check valve)	Non-Bleed TXV	Non-Bleed TXV	Non-Bleed TXV	Non-Bleed TXV
Drain Conn. Size (in.)	3/4 NPT	3/4 NPT	3/4 NPT	3/4 NPT
Duct Connections	See outline drawing	See outline drawing	See outline drawing	See outline drawing
REFRIGERANT CONNECTIONS	R-410A BRAZED	R-410A BRAZED	R-410A BRAZED	R-410A BRAZED
Line Size -- Gas (in.)	7/8	7/8	7/8	7/8
Line Size -- Liquid (in.)	3/8	3/8	3/8	3/8
DIMENSIONS (in.)	H X W X D	H X W X D	H X W X D	H X W X D
Crated (H x W x D)	26.35 x 20.5 x 26.5	26.35 x 24 x 26.5	30.65 x 20.5 x 26.5	30.65 x 24 x 26.5
Uncrated	21.2 x 16.3 x 21.1	20.8 x 19.8 x 21.1	23.8 x 16.3 x 21.1	23.7 x 19.8 x 21.1
WEIGHT (lbs)				
Shipping -- Net	39 / 31	40 / 32	42 / 34	44 / 36

[1] These indoor coils are A.H.R.I. certified with various split system air conditioners and heat pumps (A.H.R.I. Standard 210/240). Refer to the Split System Outdoor product information site or www.ahrinet.org



General Data

PRODUCT SPECIFICATIONS^[1] -- 4PXA – SPLIT SYSTEM HEAT PUMP / COOLING UNCASED UPFLOW COMFORT™ COILS

	4PXABU48BS3HAA	4PXACU48BS3HAA	4PXADU48BS3HAA
INDOOR COIL -- Type	PLATE FIN	PLATE FIN	PLATE FIN
Rows / F.P.I.	3 / 14	3 / 14	3 / 14
Face Area (sq.ft.)	6.0	6.0	6.0
Tube Size	3/8	3/8	3/8
Refrigerant Control (Internal check valve)	Non-Bleed TXV	Non-Bleed TXV	Non-Bleed TXV
Drain Conn. Size (in.)	3/4 NPT	3/4 NPT	3/4 NPT
Duct Connections	See outline drawing	See outline drawing	See outline drawing
REFRIGERANT CONNECTIONS	R-410A BRAZED	R-410A BRAZED	R-410A BRAZED
Line Size -- Gas (in.)	7/8	7/8	7/8
Line Size -- Liquid (in.)	3/8	3/8	3/8
DIMENSIONS (in.)	H X W X D	H X W X D	H X W X D
Crated (H x W x D)	30.65 x 20.5 x 26.5	30.65 x 24 x 26.5	30.65 x 27.5 x 26.5
Uncrated	25.3 x 16.3 x 21.1	24.9 x 19.8 x 21.1	24.5 x 23.3 x 21.1
WEIGHT (lbs)			
Shipping -- Net	44 / 36	46 / 38	47 / 39
	4PXACU60BS3HAA	4PXADU60BS3HAA	
INDOOR COIL -- Type	PLATE FIN	PLATE FIN	
Rows / F.P.I.	3 / 16	3 / 16	
Face Area (sq.ft.)	7.0	7.0	
Tube Size	3/8	3/8	
Refrigerant Control (Internal check valve)	Non-Bleed TXV	Non-Bleed TXV	
Drain Conn. Size (in.)	3/4 NPT	3/4 NPT	
Duct Connections	See outline drawing	See outline drawing	
REFRIGERANT CONNECTIONS	R-410A BRAZED	R-410A BRAZED	
Line Size -- Gas (in.)	7/8	7/8	
Line Size -- Liquid (in.)	3/8	3/8	
DIMENSIONS (in.)	H X W X D	H X W X D	
Crated (H x W x D)	34.45 x 24 x 26.5	34.45 x 27.5 x 26.5	
Uncrated	29.2 x 19.8 x 21.1	28.5 x 23.3 x 21.1	
WEIGHT (lbs)			
Shipping -- Net	52 / 44	53 / 45	

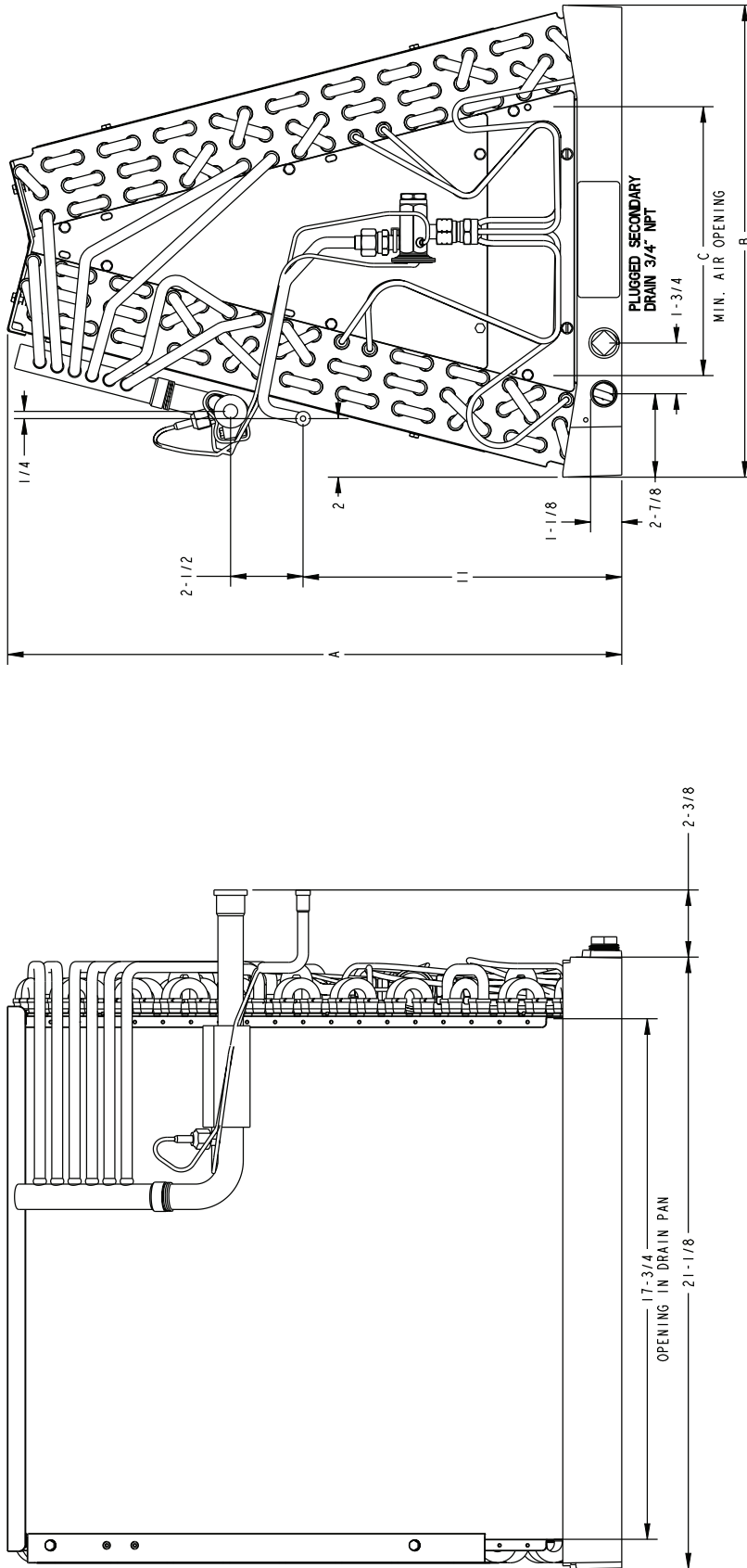
[1] These indoor coils are A.H.R.I. certified with various split system air conditioners and heat pumps (A.H.R.I. Standard 210/240). Refer to the Split System Outdoor product information site or www.ahrinet.org



Performance Data

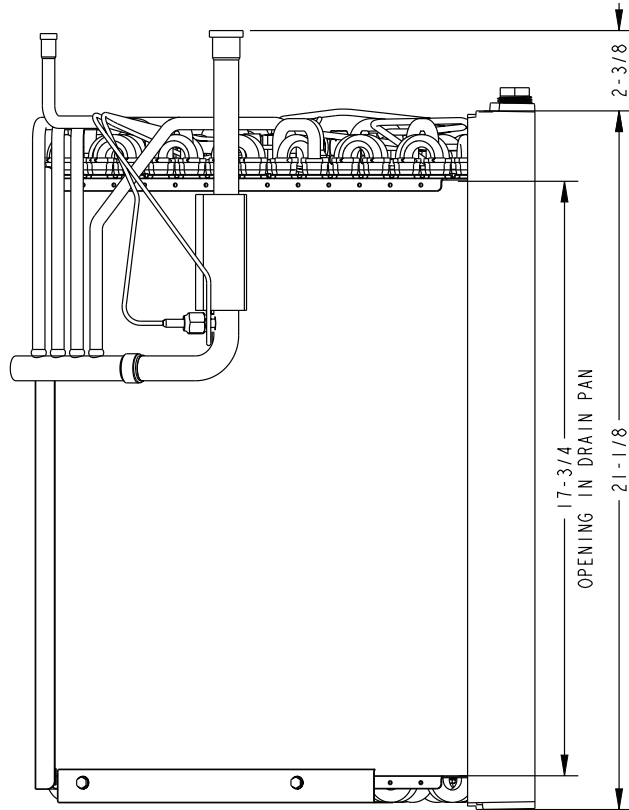
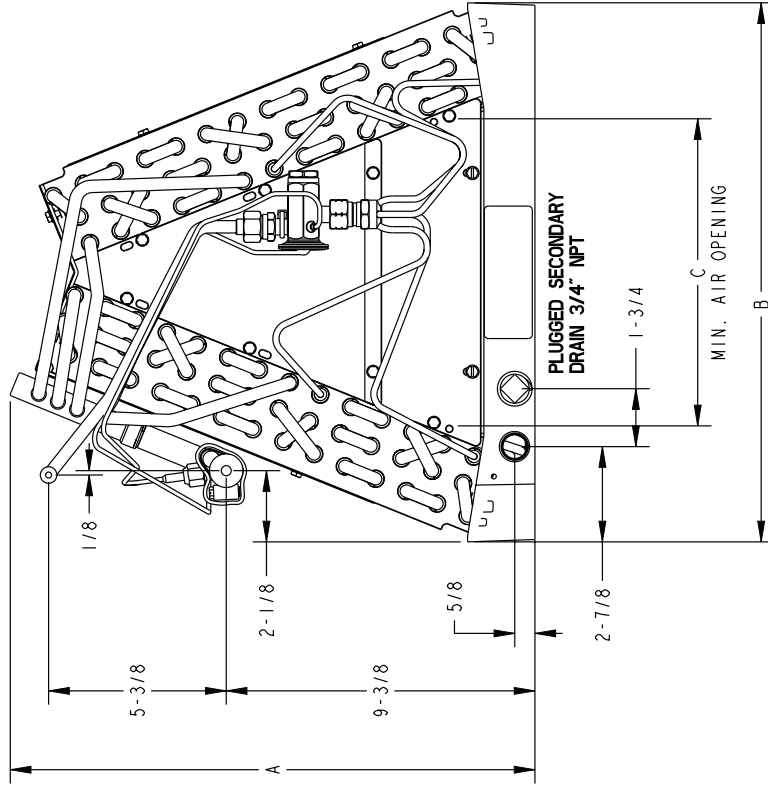
PRESSURE DROP CHARACTERISTICS FOR COOLING AND HEAT PUMP COILS AIRFLOW (SCFM) VS. PRESSURE DROP ACROSS WET COIL							
PRESSURE DROP (INCHES OF WATER COLUMN)							
MODEL	0.1	0.15	0.2	0.25	0.3	0.35	0.4
4PXAAU24BS3HAA	340	430	510	585	650	715	775
4PXABU24BS3HAA	435	555	660	755	840	920	995
4PXABU30BS3HAA	525	665	790	900	1000	1095	1180
4PXABU36BS3HAA	655	825	970	1100	1220	1330	1435
4PXABU42BS3HAA	625	790	935	1065	1185	1295	1400
4PXABU48BS3HAA	640	815	965	1095	1220	1335	1445
4PXACU30BS3HAA	540	680	805	920	1020	1120	1210
4PXACU36BS3HAA	770	970	1145	1300	1440	1570	1696
4PXACU42BS3HAA	735	930	1105	1255	1400	1530	1655
4PXACU48BS3HAA	760	965	1140	1300	1445	1580	1710
4PXACU60BS3HAA	740	940	1120	1280	1425	1565	1695
4PXADU48BS3HAA	870	1100	1300	1485	1650	1805	1950
4PXADU60BS3HAA	835	1065	1265	1445	1615	1770	1915

Outline Drawing for 4PXAAU18BS3HAA, 4PXABU18BS3HAA, 4PXAAU24BS3HAA, 4PXABU24BS3HAA, 4PXABU36BS3HAA, 4PXABU36BS3HAA, 4PXABU42BS3HAA, 4PXACU42BS3HAA, 4PXABU48BS3HAA, 4PXACU48BS3HAA, 4PXADU48BS3HAA, 4PXACU60BS3HAA, and 4PXADU60BS3HAA. (All dimensions are in inches)



MODEL	4PXAAU24BS3	4PXABU24BS3	4PXABU36BS3	4PXABU42BS3	4PXABU48BS3	4PXACU42BS3	4PXABU48BS3	4PXACU48BS3	4PXADU48BS3	4PXACU60BS3	4PXADU60BS3
SHIPPING WEIGHT (LBS.)	28	30	39	42	44	44	44	46	47	52	53
REFRIGERANT CONTROL	TXV (NON-BLEED)										
HEIGHT "A" (IN)	14-5/8	14-1/2	21-1/4	23-7/8	23-7/8	23-5/8	25-1/4	24-7/8	24-1/2	29-1/8	28-1/2
OVERALL WIDTH "B" (IN)	13-1/4	16-1/4	16-1/4	16-1/4	16-1/4	19-3/4	16-1/4	19-3/4	23-1/4	19-3/4	23-1/4
OPENING WIDTH "C" (IN)	7-3/4	9	9	9	9	12-1/2	9	12-1/2	16	12-1/2	16
GAS CONNECTION	3/4										
LIQUID CONNECTION	3/8										
DRAIN PAN	PLASTIC										

Outline Drawing for 4PXABU30BS3HAA and 4PXACU30BS3HAA. (All dimensions are in inches)



MODEL	4PXABU30BS3	4PXACU30BS3
WEIGHT (LBS.)	34	36
REFRIGERANT CONTROL	TXV (NON-BLEED)	
HEIGHT "A" (IN)	15-7/8	15-7/8
OVERALL WIDTH "B" (IN)	16-1/4	19-3/4
OPENING WIDTH "C" (IN)	9	12-1/2
GAS CONNECTION		3/4
LIQUID CONNECTION		3/8
DRAIN PAN		PLASTIC



Trane - by Trane Technologies (NYSE: TT), a global climate innovator - creates comfortable, energy efficient indoor environments for commercial and residential applications. For more information, please visit trane.com or tranetechnologies.com.



Intertek

Trane has a policy of continuous data improvement and it reserves the right to change design and specifications without notice. We are committed to using environmentally conscious print practices.