

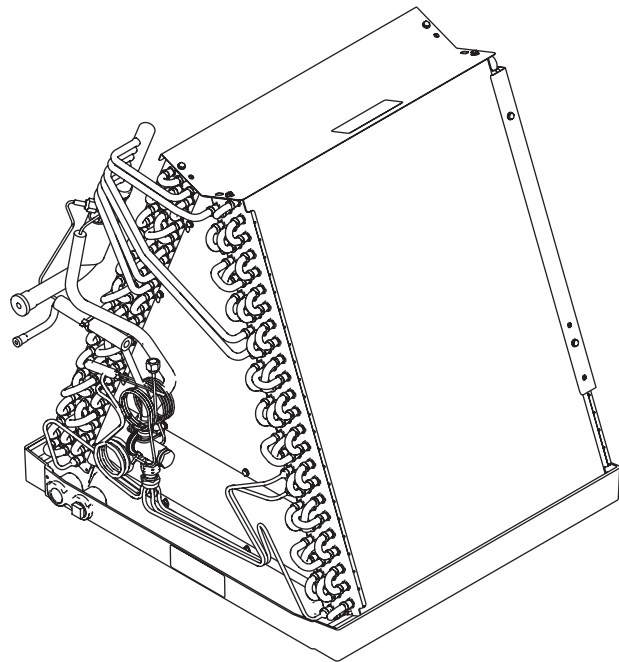


# Uncased Vertical Aluminum Upflow Cooling/HP Coils 2 - 5 Ton

---

## 4PXA

Heat Pump / Cooling Coils for R-410A

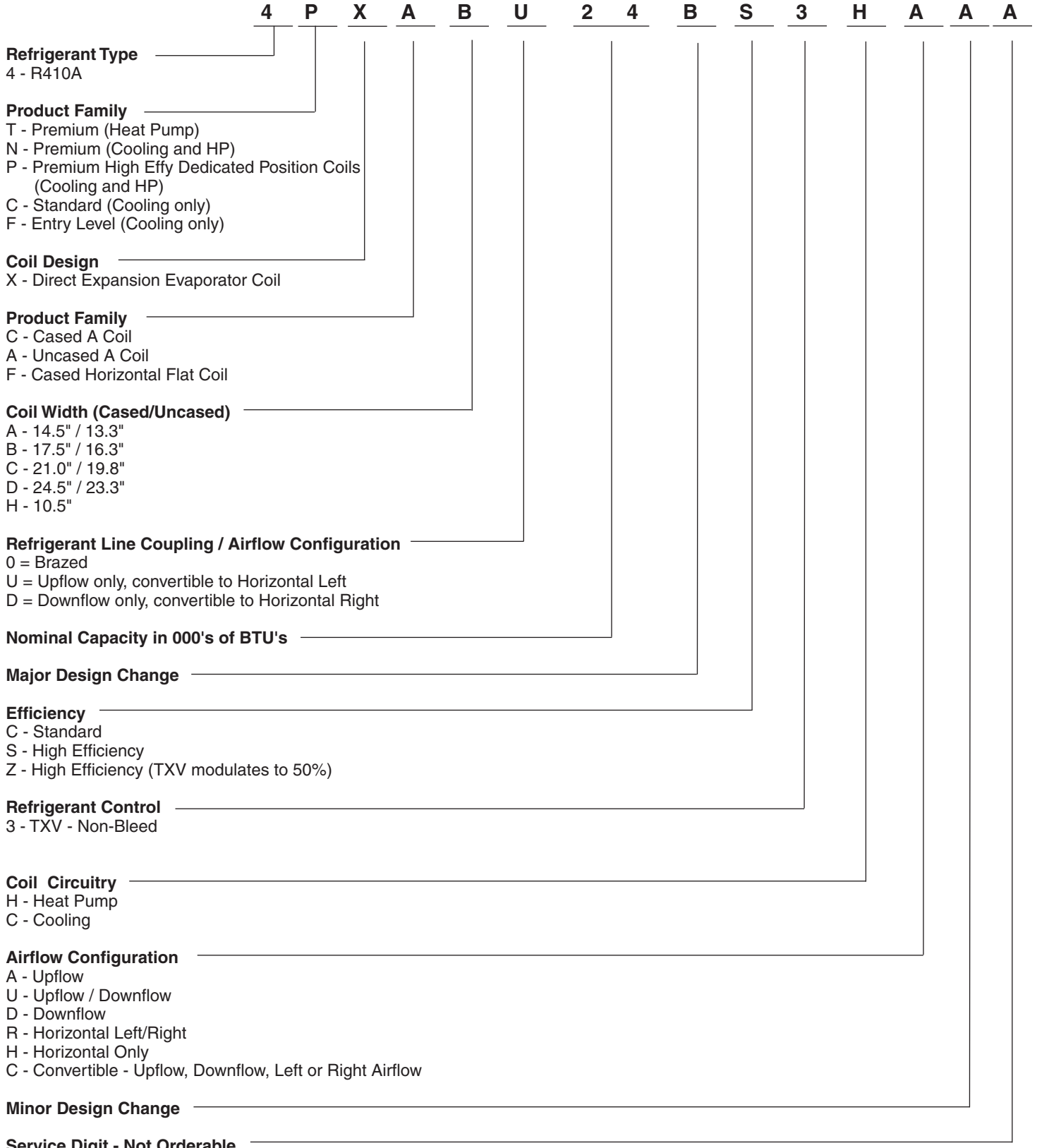


---

PUB. NO. 22-1903-2



# Aluminum Heat Pump Coil Nomenclature





# General Data

## PRODUCT SPECIFICATIONS<sup>[1]</sup> -- 4PXA - SPLIT SYSTEM HEAT PUMP / COOLING UNCASED UPFLOW COMFORT™ COILS

	4PXA AU24BS3HAA	4PXABU24BS3HAA	4PXABU30BS3HAA	4PXACU30BS3HAA
<b>INDOOR COIL -- Type</b>	PLATE FIN	PLATE FIN	PLATE FIN	PLATE FIN
Rows / F.P.I.	2 / 20	2 / 20	3 / 14	3 / 14
Face Area (sq.ft.)	3.0	3.0	3.5	3.5
Tube Size	3/8	3/8	3/8	3/8
Refrigerant Control (Internal check valve)	Non-Bleed TXV	Non-Bleed TXV	Non-Bleed TXV	Non-Bleed TXV
Drain Conn. Size (in.)	3/4 NPT	3/4 NPT	3/4 NPT	3/4 NPT
Duct Connections	See outline drawing	See outline drawing	See outline drawing	See outline drawing
<b>REFRIGERANT CONNECTIONS</b>	R-410A BRAZED	R-410A BRAZED	R-410A BRAZED	R-410A BRAZED
Line Size -- Gas (in.)	3/4	3/4	3/4	3/4
Line Size -- Liquid (in.)	3/8	3/8	3/8	3/8
<b>DIMENSIONS (in.)</b>	<b>H X W X D</b>	<b>H X W X D</b>	<b>H X W X D</b>	<b>H X W X D</b>
Crated (H x W x D)	21.35 x 17.5 x 26.5	21.35 x 20.5 x 26.5	21.35 x 20.5 x 26.5	21.35 x 24 x 26.5
Uncrated	14.7 x 13.3 x 21.1	14.5 x 16.3 x 21.1	15.8 x 16.3 x 21.1	15.8 x 19.8 x 21.1
<b>WEIGHT (lbs)</b>				
Shipping -- Net	28 / 20	30 / 22	34 / 26	36 / 28
	4PXABU36BS3HAA	4PXACU36BS3HAA	4PXABU42BS3HAA	4PXACU42BS3HAA
<b>INDOOR COIL -- Type</b>	PLATE FIN	PLATE FIN	PLATE FIN	PLATE FIN
Rows / F.P.I.	3 / 12	3 / 12	3 / 14	3 / 14
Face Area (sq.ft.)	5.0	5.0	5.5	5.5
Tube Size	3/8	3/8	3/8	3/8
Refrigerant Control (Internal check valve)	Non-Bleed TXV	Non-Bleed TXV	Non-Bleed TXV	Non-Bleed TXV
Drain Conn. Size (in.)	3/4 NPT	3/4 NPT	3/4 NPT	3/4 NPT
Duct Connections	See outline drawing	See outline drawing	See outline drawing	See outline drawing
<b>REFRIGERANT CONNECTIONS</b>	R-410A BRAZED	R-410A BRAZED	R-410A BRAZED	R-410A BRAZED
Line Size -- Gas (in.)	7/8	7/8	7/8	7/8
Line Size -- Liquid (in.)	3/8	3/8	3/8	3/8
<b>DIMENSIONS (in.)</b>	<b>H X W X D</b>	<b>H X W X D</b>	<b>H X W X D</b>	<b>H X W X D</b>
Crated (H x W x D)	26.35 x 20.5 x 26.5	26.35 x 24 x 26.5	30.65 x 20.5 x 26.5	30.65 x 24 x 26.5
Uncrated	21.2 x 16.3 x 21.1	20.8 x 19.8 x 21.1	23.8 x 16.3 x 21.1	23.7 x 19.8 x 21.1
<b>WEIGHT (lbs)</b>				
Shipping -- Net	39 / 31	40 / 32	42 / 34	44 / 36

[1] These indoor coils are A.H.R.I. certified with various split system air conditioners and heat pumps (A.H.R.I. Standard 210/240). Refer to the Split System Outdoor product information site or [www.ahrinet.org](http://www.ahrinet.org)



# General Data

## PRODUCT SPECIFICATIONS<sup>[1]</sup> -- 4PXA - SPLIT SYSTEM HEAT PUMP / COOLING UNCASED UPFLOW COMFORT™ COILS

	4PXABU48BS3HAA	4PXACU48BS3HAA	4PXADU48BS3HAA
<b>INDOOR COIL -- Type</b>	PLATE FIN	PLATE FIN	PLATE FIN
Rows / F.P.I.	3 / 14	3 / 14	3 / 14
Face Area (sq.ft.)	6.0	6.0	6.0
Tube Size	3/8	3/8	3/8
Refrigerant Control (Internal check valve)	Non-Bleed TXV	Non-Bleed TXV	Non-Bleed TXV
Drain Conn. Size (in.)	3/4 NPT	3/4 NPT	3/4 NPT
Duct Connections	See outline drawing	See outline drawing	See outline drawing
<b>REFRIGERANT CONNECTIONS</b>	R-410A BRAZED	R-410A BRAZED	R-410A BRAZED
Line Size -- Gas (in.)	7/8	7/8	7/8
Line Size -- Liquid (in.)	3/8	3/8	3/8
<b>DIMENSIONS (in.)</b>	<b>H X W X D</b>	<b>H X W X D</b>	<b>H X W X D</b>
Crated (H x W x D)	30.65 x 20.5 x 26.5	30.65 x 24 x 26.5	30.65 x 27.5 x 26.5
Uncrated	25.3 x 16.3 x 21.1	24.9 x 19.8 x 21.1	24.5 x 23.3 x 21.1
<b>WEIGHT (lbs)</b>			
Shipping -- Net	44 / 36	46 / 38	47 / 39
	<b>4PXACU60BS3HAA</b>	<b>4PXADU60BS3HAA</b>	
<b>INDOOR COIL -- Type</b>	PLATE FIN	PLATE FIN	
Rows / F.P.I.	3 / 16	3 / 16	
Face Area (sq.ft.)	7.0	7.0	
Tube Size	3/8	3/8	
Refrigerant Control (Internal check valve)	Non-Bleed TXV	Non-Bleed TXV	
Drain Conn. Size (in.)	3/4 NPT	3/4 NPT	
Duct Connections	See outline drawing	See outline drawing	
<b>REFRIGERANT CONNECTIONS</b>	R-410A BRAZED	R-410A BRAZED	
Line Size -- Gas (in.)	7/8	7/8	
Line Size -- Liquid (in.)	3/8	3/8	
<b>DIMENSIONS (in.)</b>	<b>H X W X D</b>	<b>H X W X D</b>	
Crated (H x W x D)	34.45 x 24 x 26.5	34.45 x 27.5 x 26.5	
Uncrated	29.2 x 19.8 x 21.1	28.5 x 23.3 x 21.1	
<b>WEIGHT (lbs)</b>			
Shipping -- Net	52 / 44	53 / 45	

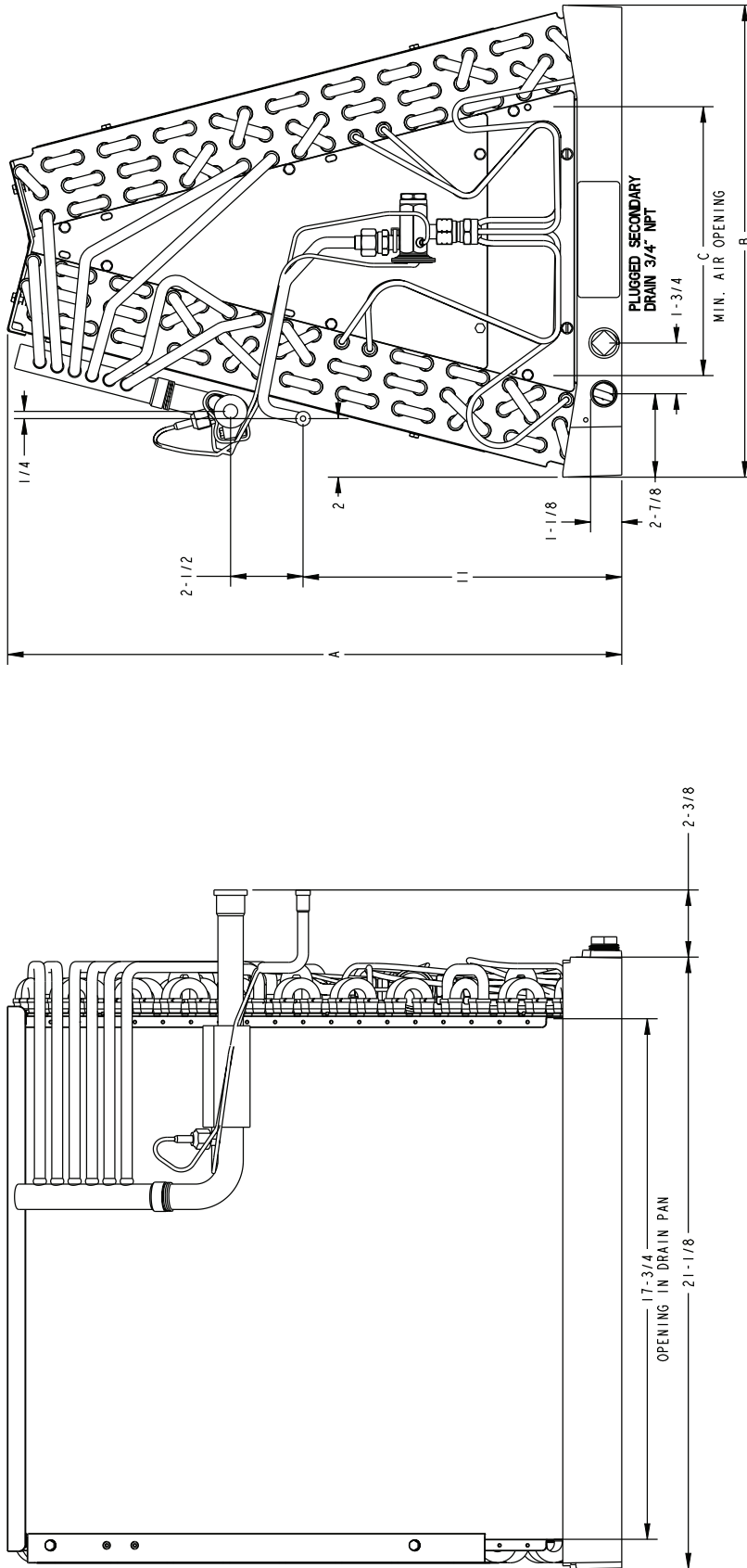
[1] These indoor coils are A.H.R.I. certified with various split system air conditioners and heat pumps (A.H.R.I. Standard 210/240). Refer to the Split System Outdoor product information site or [www.ahrinet.org](http://www.ahrinet.org)



# Performance Data

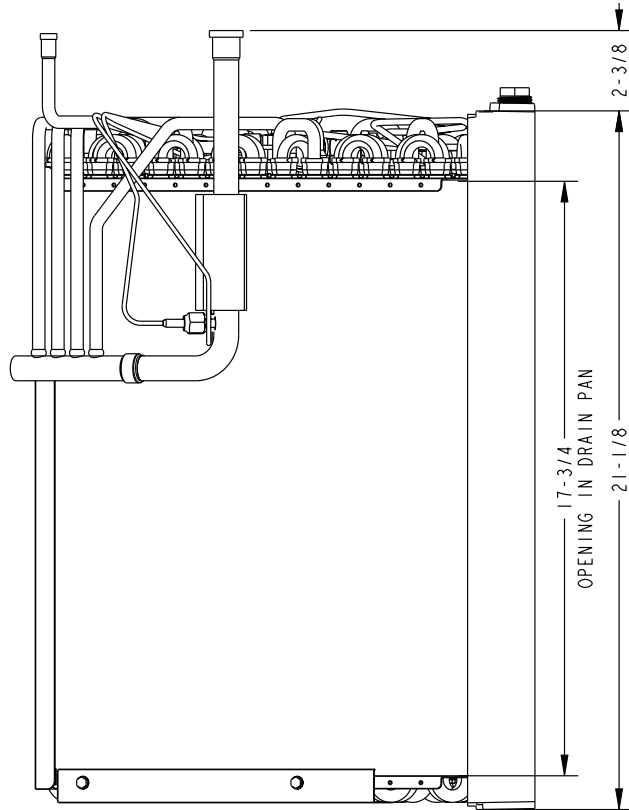
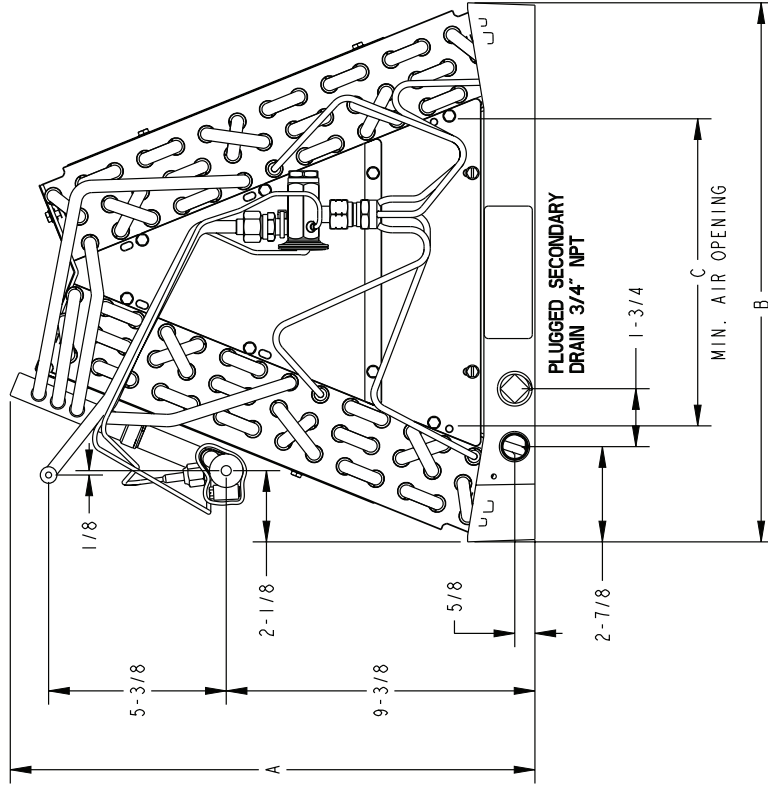
<b>PRESSURE DROP CHARACTERISTICS FOR COOLING AND HEAT PUMP COILS</b> AIRFLOW (SCFM) VS. PRESSURE DROP ACROSS WET COIL							
<b>PRESSURE DROP (INCHES OF WATER COLUMN)</b>							
<b>MODEL</b>	<b>0.1</b>	<b>0.15</b>	<b>0.2</b>	<b>0.25</b>	<b>0.3</b>	<b>0.35</b>	<b>0.4</b>
<b>4PXAAU24BS3HAA</b>	340	430	510	585	650	715	775
<b>4PXABU24BS3HAA</b>	435	555	660	755	840	920	995
<b>4PXABU30BS3HAA</b>	525	665	790	900	1000	1095	1180
<b>4PXABU36BS3HAA</b>	655	825	970	1100	1220	1330	1435
<b>4PXABU42BS3HAA</b>	625	790	935	1065	1185	1295	1400
<b>4PXABU48BS3HAA</b>	640	815	965	1095	1220	1335	1445
<b>4PXACU30BS3HAA</b>	540	680	805	920	1020	1120	1210
<b>4PXACU36BS3HAA</b>	770	970	1145	1300	1440	1570	1696
<b>4PXACU42BS3HAA</b>	735	930	1105	1255	1400	1530	1655
<b>4PXACU48BS3HAA</b>	760	965	1140	1300	1445	1580	1710
<b>4PXACU60BS3HAA</b>	740	940	1120	1280	1425	1565	1695
<b>4PXADU48BS3HAA</b>	870	1100	1300	1485	1650	1805	1950
<b>4PXADU60BS3HAA</b>	835	1065	1265	1445	1615	1770	1915

Outline Drawing for 4PXAAU18BS3HAA, 4PXABU18BS3HAA, 4PXAAU24BS3HAA, 4PXABU24BS3HAA, 4PXABU36BS3HAA, 4PXABU36BS3HAA, 4PXABU42BS3HAA, 4PXACU42BS3HAA, 4PXABU48BS3HAA, 4PXACU48BS3HAA, 4PXADU48BS3HAA, 4PXACU60BS3HAA, and 4PXADU60BS3HAA. (All dimensions are in inches)



MODEL	4PXAAU24BS3	4PXABU24BS3	4PXABU36BS3	4PXABU42BS3	4PXABU48BS3	4PXACU42BS3	4PXABU48BS3	4PXACU48BS3	4PXADU48BS3	4PXACU60BS3	4PXADU60BS3
SHIPPING WEIGHT (LBS.)	28	30	39	40	42	44	44	46	47	52	53
REFRIGERANT CONTROL	TXV (NON-BLEED)										
HEIGHT "A" (IN)	14-5/8	14-1/2	21-1/4	20-3/4	23-7/8	23-5/8	25-1/4	24-7/8	24-1/2	29-1/8	28-1/2
OVERALL WIDTH "B" (IN)	13-1/4	16-1/4	16-1/4	19-3/4	16-1/4	19-3/4	16-1/4	19-3/4	23-1/4	19-3/4	23-1/4
OPENING WIDTH "C" (IN)	7-3/4	9	9	12-1/2	9	12-1/2	9	12-1/2	16	12-1/2	16
GAS CONNECTION	3/8										
LIQUID CONNECTION	3/8										
DRAIN PAN	PLASTIC										

Outline Drawing for 4PXABU30BS3HAA and 4PXACU30BS3HAA. (All dimensions are in inches)



MODEL	4PXABU30BS3	4PXACU30BS3
WEIGHT (LBS.)	34	36
REFRIGERANT CONTROL	TXV (NON-BLEED)	
HEIGHT "A" (IN)	15-7/8	15-7/8
OVERALL WIDTH "B" (IN)	16-1/4	19-3/4
OPENING WIDTH "C" (IN)	9	12-1/2
GAS CONNECTION		3/4
LIQUID CONNECTION		3/8
DRAIN PAN		PLASTIC



**TRANE**<sup>®</sup>

Trane  
6200 Troup Highway  
Tyler, TX 75707  
[www.trane.com](http://www.trane.com)

For more information contact  
your local dealer (distributor)



---

Literature Order Number	22-1903-2
File Number	22-1903-2
Supersedes	22-1903-1
Date	03/16

---

Since **Trane** has a policy of continuous product improvement, **it** reserves the right to change design and specifications without notice.