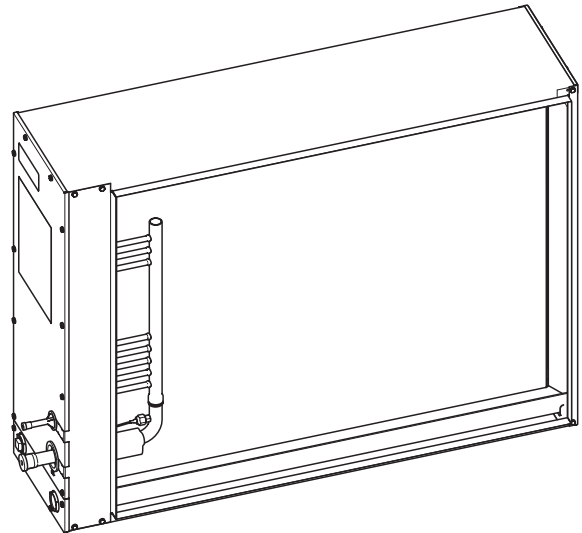
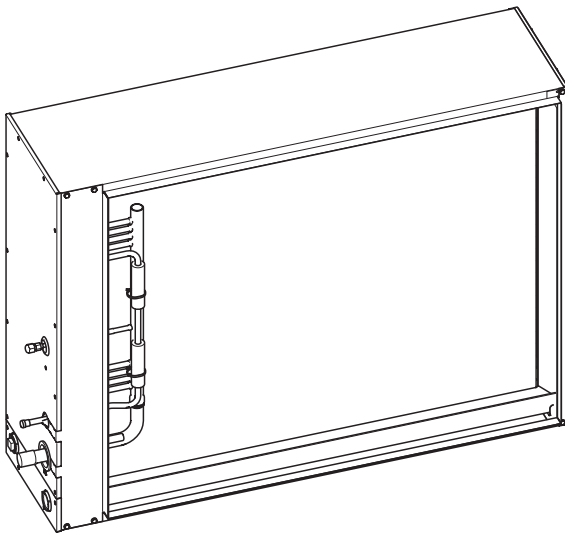




Aluminum Cased Horizontal Flat, Heat Pump / Cooling Coils 2 - 5 Ton

4TXFH-CC/CZ/AZ 13 SEER Heat Pump /Cooling Coils for R-410A Refrigerant





Heat Pump/ Cooling Coil Nomenclature

	4	T	X	F	H	0	3	3	C	C	3	H	H	A	A
Refrigerant Type	4 - R410A														
Product Family	T-Premium(Heat Pump or Convertible Coil)														
Coil Design	X - Direct Expansion Evaporator Coil														
Product Family	C - Cased A Coil A - Uncased A Coil F - Cased Horizontal Flat Coil														
Coil Width (Cased/Uncased)	A - 14.5" / 13.3" B - 17.5" / 16.3" C - 21.0" / 19.8" D - 24.5" / 23.3" H - 10.5"														
Refrigerant Line Coupling	0 - Brazed														
Nominal Capacity in 000's of BTU's	3														
Major Design Change	C														
Efficiency	C - Standard S - High Efficiency (Derived from 10 SEER products) Z - High Efficiency (TXV modulates to 50%)														
Refrigerant Control	3 - TXV - Non-Bleed														
Coil Circuitry	H - Heat Pump														
Airflow Configuration	A - Upflow Only U - Upflow / Downflow H - Horizontal Only C - Convertible - Upflow, Downflow, Left or right Airflow														
Minor Design Change	A														
Unit Parts Identifier	A														



General Data

PRODUCT SPECIFICATIONS - 4 TXFH -- SPLIT SYSTEM HEAT PUMP / COOLING COMFORT™ COILS CASED HORIZONTAL

	4TXFH024CZ3HHA	4TXFH033CC3HHA	4TXFH036CZ3HHA	4TXFH041CC3HHA
INDOOR COIL -- Type	PLATE FIN	PLATE FIN	PLATE FIN	PLATE FIN
Rows / F.P.I.	3 / 14	3 / 14	4 / 14	3 / 14
Face Area (sq.ft.)	3.33	3.33	3.33	4.61
Tube Size	3/8	3/8	3/8	3/8
Refrigerant Control (No internal check valve)	Non-Bleed TXV	Non-Bleed TXV	Non-Bleed TXV	Non-Bleed TXV
Drain Conn. Size (in.)	3/4 NPT	3/4 NPT	3/4 NPT	3/4 NPT
Duct Connections			-See Outline Drawings-	
REFRIGERANT CONNECTIONS	R-410A BRAZED	R-410A BRAZED	R-410A BRAZED	R-410A BRAZED
Line Size -- Gas (in.)	5/8	3/4	3/4	3/4
Line Size -- Liquid (in.)	3/8	5/16	3/8	3/8
DIMENSIONS (in.)	H X W X D	H X W X D	H X W X D	H X W X D
Crated (H x W x D)	23 x13-1/2 x32-1/2	23 x13-1/2 x41-1/2	23 x13-1/2 x41-1/2	23 x13-1/2 x41-1/2
Uncrated	See Outline Drawings	See Outline Drawings	See Outline Drawings	See Outline Drawings
WEIGHT (lbs)				
Shipping -- Net	48 / 41	49 / 44	53 / 46	57 / 50

	4TXFH054CC3HHA	4TXFH063CZ3HHA	4TXFH064AZ3HHA
INDOOR COIL -- Type	PLATE FIN	PLATE FIN	PLATE FIN
Rows / F.P.I.	4 / 14	4 / 16	4 / 18
Face Area (sq.ft.)	4.61	5.99	5.99
Tube Size	3/8	3/8	3/8
Refrigerant Control (No internal check valve)	Non-Bleed TXV	Non-Bleed TXV	Non-Bleed TXV
Drain Conn. Size (in.)	3/4 NPT	3/4 NPT	3/4 NPT
Duct Connections			
REFRIGERANT CONNECTIONS	R-410A BRAZED	R-410A BRAZED	R-410A BRAZED
Line Size -- Gas (in.)	7/8	7/8	7/8
Line Size -- Liquid (in.)	3/8	3/8	3/8
DIMENSIONS (in.)	H X W X D	H X W X D	H X W X D
Crated (H x W x D)	29 x13-1/2 x41-1/2	29 x13-1/2 x41-1/2	29 x13-1/2 x41-1/2
Uncrated	See Outline Drawings	See Outline Drawings	See Outline Drawings
WEIGHT (lbs)			
Shipping -- Net	55 / 48	63 / 54	66 / 57

[1] These indoor coils are A.H.R.I. certified with various split system air conditioners and heat pumps (A.H.R.I. Standard 210/240). Refer to the Split System Outdoor product information site or www.ahrinet.org

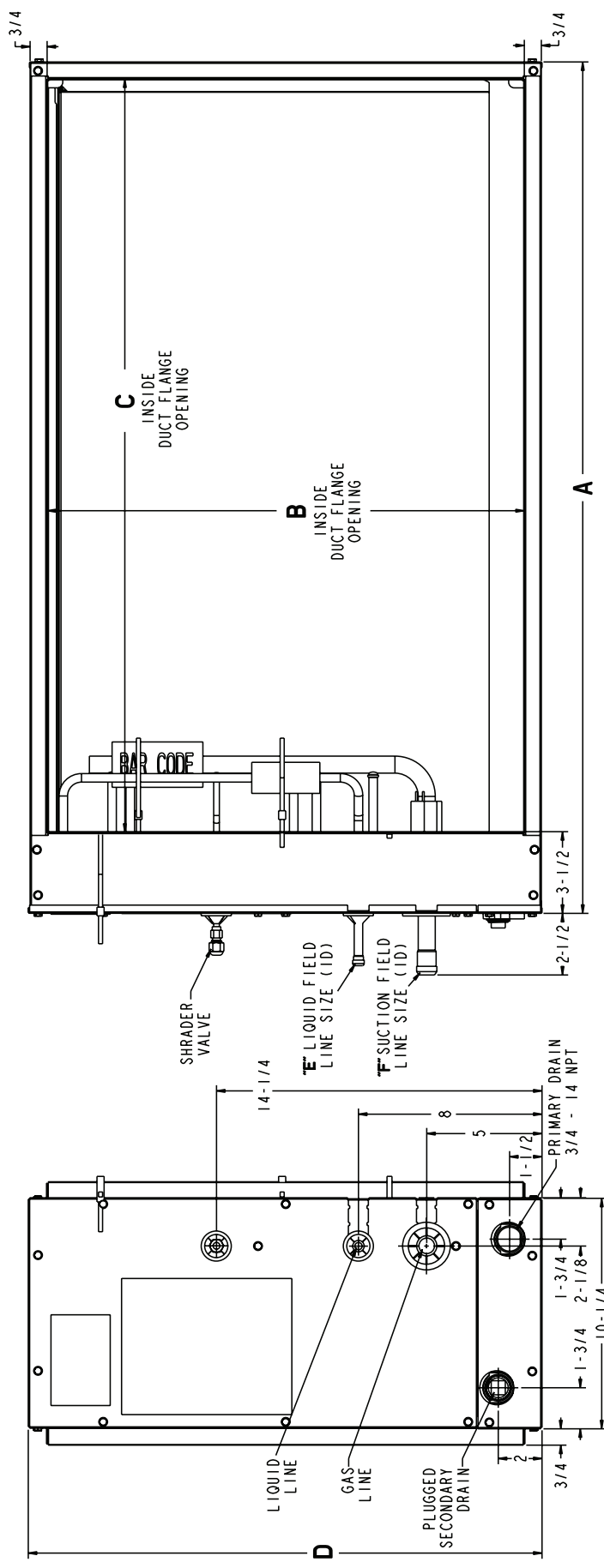


Performance Data

PRESSURE DROP CHARACTERISTICS FOR COOLING AND HEAT PUMP COILS								
AIRFLOW (CFM) VS. PRESSURE DROP ACROSS WET COIL								
PRESSURE DROP (INCHES OF WATER COLUMN)								
MODEL	.05	0.1	0.15	0.2	0.25	0.3	0.35	0.4
4TXFH024CZ3HHA	800	1075	1325	1575	1900	-	-	-
4TXFH033CC3HHA	525	750	1000	1150	1325	1500	-	-
4TXFH036CZ3HHA	600	825	1050	1300	1500	1700	1852	2075
4TXFH041CC3HHA	800	1075	1325	1575	1900	-	-	-
4TXFH054CC3HHA	600	825	1050	1300	1500	1700	1852	2075
4TXFH063CZ3HHA	800	1150	1450	1750	2000	2225	-	-
4TXFH064AZ3HHA	550	850	1125	1350	1575	1775	1975	2150

OUTLINE DRAWING FOR 4TXFH COILS

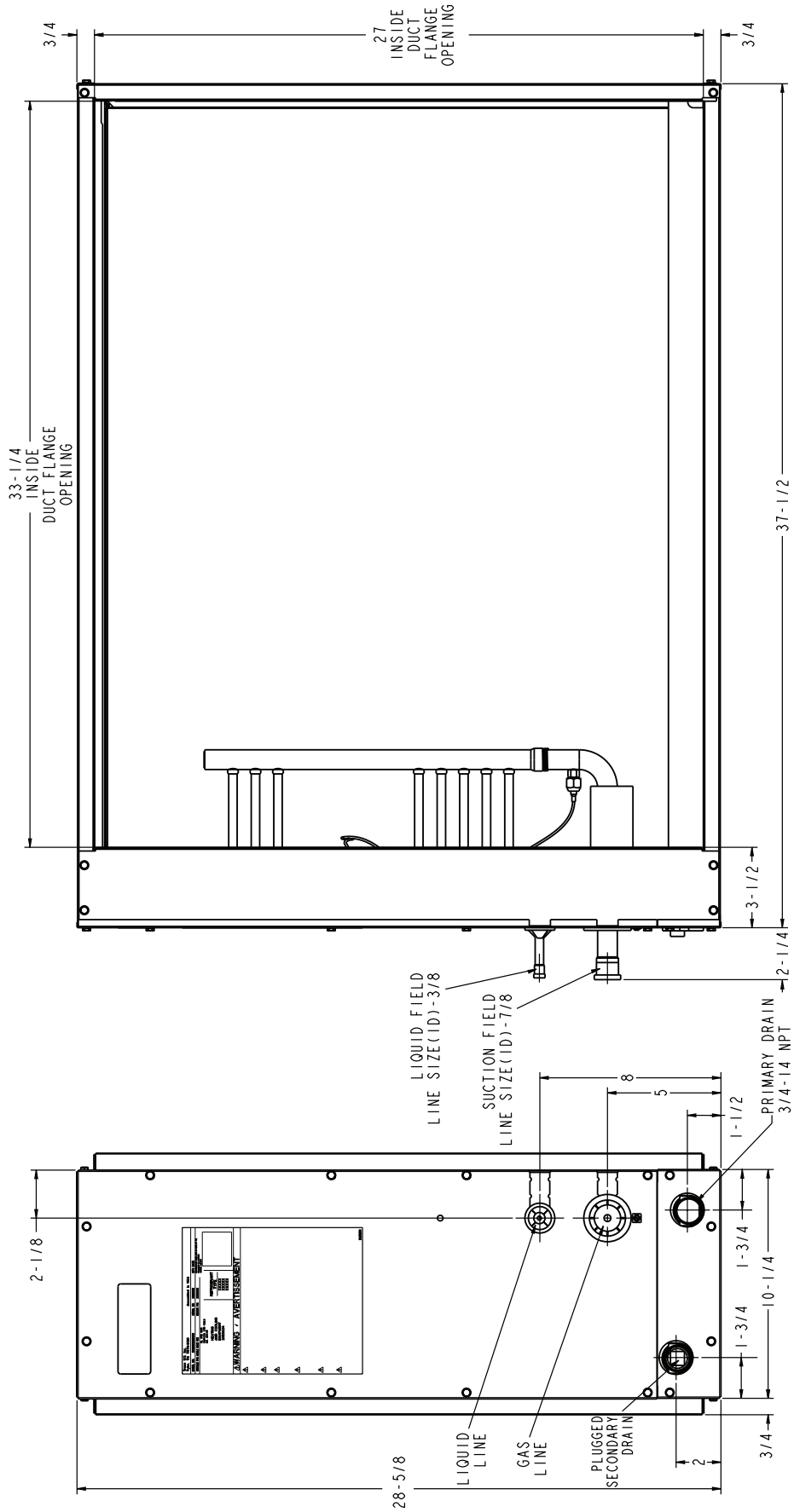
Outline Drawing for 4TXFH024CZ3HHA, 4TXFH033CC3HHA, 4TXFH036CZ3HHA, 4TXFH041CC3HHA, 4TXFH054CC3HHA, 4TXFH063CZ3HHA (All dimensions are in inches)



MODEL	"A"	"B"	"C"	"D"	"E"	"F"
4TXFH024CZ3HHA	37 - 1/2	21	33 - 1/4	22 - 3/4	3/8	5/8
4TXFH033CC3HHA	28 - 1/4	21	24	22 - 3/4	5/16	3/4
4TXFH036CZ3HHA	37 - 1/2	21	33 - 1/4	22 - 3/4	3/8	3/4
4TXFH041CC3HHA	37 - 1/2	21	33 - 1/4	22 - 3/4	3/8	3/4
4TXFH054CC3HHA	37 - 1/2	21	33 - 1/4	22 - 3/4	3/8	7/8
4TXFH063CZ3HHA	37 - 1/2	27	33 - 1/4	28 - 3/4	3/8	7/8

OUTLINE DRAWING FOR 4TXFH COILS

Outline Drawing - 4TXFH064AZ3HHA (All dimensions are in inches)







Trane
6200 Troup Highway
Tyler, TX 75707
www.trane.com

*For more information contact
your local dealer (distributor)*

Since Trane has a policy of continuous product improvement, it reserves the right to change design and specifications without notice.