



Product Data

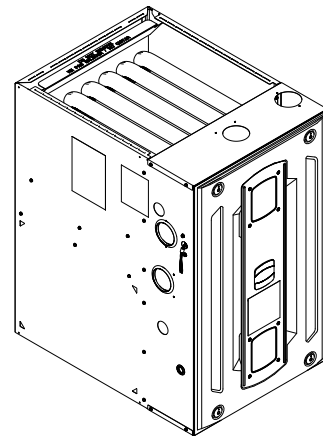
Upflow/ Horizontal Left/Right, Downflow Two Stage Condensing Gas Fired Furnace

Upflow, Convertible to Horizontal Right or Horizontal Left

S9V2B040U3PSBB
S9V2B060U3PSBB
S9V2B060U4PSBB
S9V2B080U4PSBB
S9V2C080U5PSBB
S9V2C100U4PSBB
S9V2C100U5PSBB
S9V2D120U5PSBB

Downflow Only

S9V2B040D3PSBB
S9V2B060D3PSBB
S9V2B080D4PSBB
S9V2C100D4PSBB
S9V2C100D5PSBB
S9V2D120D5PSBB



Note: Graphics in this document are for representation only. Actual model may differ in appearance.

⚠ CAUTION

COIL REQUIREMENT!

Failure to follow this Caution could result in property damage or personal injury. 4GXC* and 4MXC* coils installed on upflow furnaces in vertical, horizontal left, or horizontal right orientations without a factory installed metal drain pan shield must use a MAY*FERCOLKITAA kit. Coils installed on upflow furnaces must have drain pans that are suitable for 400° F (205°C) or have a metal drain pan shield. Downflow furnaces do not require a metal drain pan shield or the use of the MAY*FERCOLKITAA kit. See Installer's Guide for more information.



General Features

NATURAL GAS MODELS

Central Heating furnace designs are certified by the American Gas Association for both natural and L.P. gas. Limit setting and rating data were established and approved under standard rating conditions using American National Standards Institute standards.

SAFE OPERATION

The Integrated System Control is a solid state device which continuously monitors for presence of flame when the system is in the heating mode of operation. Dual solenoid combination gas valve and regulator provide additional safety.

QUICK HEATING

Durable, cycle tested, heavy gauge **tubular stainless steel primary heat exchanger** quickly transfers heat to provide warm conditioned air to the structure. **Low energy power vent blower**, to increase efficiency and provide a positive discharge of gas fumes to the outside.

BURNERS

Multiport Inshot burners will give years of quiet and efficient service. All models can be converted to **L.P. gas** with LP conversion kit.

INTEGRATED SYSTEM CONTROL

Exclusively designed operational program provides total control of furnace limit sensors, blowers, gas valve, flame control and includes self diagnostics for ease of service. Also contains dry contacts for EAC and HUM.

ENERGY EFFICIENT OPERATION

Furnace is certified by the manufacturer to leak 1% or less of nominal air conditioning CFM delivered when pressurized to .5" water column with all inlets, outlets, and drains sealed.

AIR DELIVERY

The variable speed blower motor has sufficient airflow for most heating and cooling requirements and will switch from heating to cooling speeds on demand from room thermostat.

SECONDARY HEAT EXCHANGER

The S-Series furnace has a special type 29- 4C™ stainless steel secondary heat exchanger to reclaim heat from flue gases which would normally be lost.

STYLING

Heavy gauge steel and "wrap-around" cabinet construction is used in the cabinet with baked-on enamel finish for strength and beauty. Every orientation has at least two venting options. There are no knockouts on cabinet.

FEATURES AND GENERAL OPERATION

The S-Series furnace utilizes a Silicon Nitride Hot Surface Ignition system, which eliminates the waste of a constant burning pilot. The integrated system control lights the main burners upon a demand for heat from the room thermostat. Complete front service access.

- a. Low energy power venter
- b. Vent proving pressure switches.



Features and Benefits

96.0% AFUE ACROSS ALL MODELS

Meets utility rebates

Lowers utility bills

ELECTRICALLY EFFICIENT

Efficient airflow design reduces electrical energy use

34 INCH TALL

Lighter, easier to move and fit into tight spaces like short basements or tight closets

Works great with larger, high-efficiency coils

No knockouts

3-WAY MULTI-POISE / DEDICATED DOWNFLOW

8 SKU's — Upflow / Horizontal Left / Horizontal Right

6 SKU's — Downflow

Added application flexibility and reduction in specification errors

AIRFLOW

At least 400 CFM/ton at 0.5 in. H₂O external static pressure; setup airflow options down to 290 CFM/ton

REGULATORY

All models are air tight; 1% or less air leakage as per ASHRAE 193

Open vestibule design provides a full 34" high open vestibule

DIMENSIONS

Widths are industry standard: 17.5", 21", and 24.5"

Depth remains approximately 28"

Cabinet will be compatible with industry standard coils, as well as, other accessories

INTEGRATED FURNACE CONTROL

Setup / Status / Diagnostics / Digital Display

No dip switches

Last six errors stored

Dry contact EAC and HUM connections

All Molex connections; no spade terminals

Low voltage labeled above and below

Rain shield over IFC keeps condensate off the control

TUBULAR STAINLESS STEEL PRIMARY HEAT EXCHANGER

29-4C STAINLESS STEEL SECONDARY HEAT EXCHANGER

Stainless steel is a more durable, corrosive-resistant material than aluminumized steel

Integrated rail system for easy access if required

Reduces or eliminates need for baffles

VORTICA II BLOWER, DESIGNED EXCLUSIVELY FOR THE S-SERIES FURNACE

Improved airflow efficiency

Durable, easy to clean, two piece housing

Single piece belly band/ motor arm assembly

Blower deck has full-length rails for easy removal and replacement, regardless of poise



Features and Benefits

THREE-WAY MULTI-POISE (UPFLOW, HORIZONTAL LEFT AND RIGHT) PLUS DEDICATED DOWNFLOW

Easier to specify

Shipped ready to install (no kits required)

Every model has at least two venting options

When in horizontal, trap extends only about 2"

Barbed fitting on trap at hose connection and on cabinet transition for hose has barbed fitting and clamps at both ends for leak resistance.

Vent table improvements including longer vent lengths; 2" pipe can be used up to 100K



Accessories

Table 1. Accessories

Model Number	Description	Use with
BAYHANG	Horizontal Hanging Kit	All Upflow Furnaces
BAYVENT200B	Sidewall Vent Termination Kit	All Furnaces
BAYVENTCN200B	Sidewall Vent Termination Kit (Canada – CPVC)	All Furnaces
BAYAIR30AVENTA	Concentric Vent Kit	All Furnaces
BAYAIR30CNVENT	Concentric Vent Kit (Canada – CPVC)	All Furnaces
BAYREDUCE	Reducing Coupling (CPVC)	All Furnaces
BAYLIFTB	Dual Return Kit (B size extension)	B Cabinet Upflow Furnaces
BAYLIFTC	Dual Return Kit (C size extension)	C Cabinet Upflow Furnaces
BAYLIFTD	Dual Return Kit (D size extension)	D Cabinet Upflow Furnaces
BAYBASE205	Downflow Subbase	All Downflow Furnaces
BAYFLTR206	Filter Access Door Kit (Downflow only)	All Downflow Furnaces
BAYSF1165AA ^(a)	1" SlimFit Box with MERV 4 Filter	All Upflow Furnaces
BAYFLTR203	Horizontal Filter Kit	B Cabinet Furnaces in Downflow/Horizontal
BAYFLTR204	Horizontal Filter Kit	C Cabinet Furnaces in Downflow/Horizontal
BAYFLTR205	Horizontal Filter Kit	D Cabinet Furnaces in Downflow/Horizontal
BAYLPSS400B	Propane Conversion Kit with Stainless Steel Burners	All Furnaces
BAYMFGH200B	Manufactured/Mobile Housing Kit	All Furnaces
BAYCNDTRAP2A	Inline Condensate Trap Kit used with Special Venting on 2" Vent Pipe	All Furnaces
BAYCNDTRAP3A	Inline Condensate Trap Kit used with Special Venting on 3" Vent Pipe	All Furnaces

^(a) Airflow greater than 1600 CFM requires dual returns



Product Specification

MODEL	S9V2B040U3PSBB (a)	S9V2B060U3PSBB (a)	S9V2B060U4PSBB (a)	S9V2B080U4PSBB (a)
TYPE	Upflow/Horizontal	Upflow/Horizontal	Upflow/Horizontal	Upflow/Horizontal
RATINGS (b)				
1st Stage Input BTUH (ICS)	26,000	39,000	39,000	52,000
1st Stage Capacity BTUH	25,220	37,830	37,830	50,440
2nd Stage Input BTUH	40,000	60,000	60,000	80,000
2nd Stage Capacity BTUH (ICS) (c) (d)	38,800	58,200	58,200	77,600
1st Stage Temp. Rise (Min.-Max.)	25 - 55	25 - 55	25 - 55	30 - 60
2nd Stage Temp. Rise (Min.-Max.)	30 - 60	35 - 65	35 - 65	35 - 65
AFUE (%) (d)	96.0	96.0	96.0	96.0
BLOWER DRIVE	DIRECT	DIRECT	DIRECT	DIRECT
Diameter — Width (In.)	11 X 8	11 X 8	11 X 8	11 X 8
No. Used	1	1	1	1
Speeds (No.)	Variable	Variable	Variable	Variable
CFM vs. in. w.g.	See Fan Performance Table	See Fan Performance Table	See Fan Performance Table	See Fan Performance Table
Motor HP	1/2	1/2	3/4	3/4
RPM	Variable	Variable	Variable	Variable
Volts/Ph/Hz	120 / 1 / 60	120 / 1 / 60	120 / 1 / 60	120 / 1 / 60
FLA	5.7	5.7	8.0	8.0
COMBUSTION FAN — Type	Centrifugal	Centrifugal	Centrifugal	Centrifugal
Drive — No. Speeds	Direct - 2	Direct - 2	Direct - 2	Direct - 2
Motor HP — RPM	3300/2600	3300/2600	3300/2600	3300/2600
Volts/Ph/Hz	120 / 1 / 60	120 / 1 / 60	120 / 1 / 60	120 / 1 / 60
FLA	0.66	0.66	0.66	0.66
FILTER — Furnished?	No	No	No	No
Type recommended	High Velocity	High Velocity	High Velocity	High Velocity
Hi Vel. (No.-Size-Thk.)	1 — 16x25 — 1 in.	1 — 16x25 — 1 in.	1 — 16x25 — 1 in.	1 — 16x25 — 1 in.
VENT PIPE DIAMETER — Min (in.) (e) (f)	2 Round	2 Round	2 Round	2 Round
HEAT EXCHANGER				
Type — Fired	409 Stainless Steel	409 Stainless Steel	409 Stainless Steel	409 Stainless Steel
— Unfired	29-4C Stainless Steel	29-4C Stainless Steel	29-4C Stainless Steel	29-4C Stainless Steel
Gauge (Fired)	20	20	20	20
ORIFICES — Main				
Nat. Gas Qty. — Drill Size	2- 45	3 - 45	3 - 45	4 - 45
LP Gas Qty. — Drill Size	2- 56	3 - 56	3 - 56	4- 56
GAS VALVE	Redundant - Two Stage	Redundant - Two Stage	Redundant - Two Stage	Redundant - Two Stage
PILOT SAFETY DEVICE				
Type	120 V SiNi Igniter	120 V SiNi Igniter	120 V SiNi Igniter	120 V SiNi Igniter
BURNERS — Type	Multiport Inshot	Multiport Inshot	Multiport Inshot	Multiport Inshot
Number	2	3	3	4
POWER CONN. — V/Ph/Hz (g)	120 / 1 / 60	120 / 1 / 60	120 / 1 / 60	120 / 1 / 60
Ampacity (In Amps)	7.9	7.9	10.8	10.8

MODEL	S9V2B040U3PSBB (a)	S9V2B060U3PSBB (a)	S9V2B060U4PSBB (a)	S9V2B080U4PSBB (a)
Max. Overcurrent Protection (Amps)	15	15	15	15
PIPE CONN. SIZE (in.)	1/2	1/2	1/2	1/2
DIMENSIONS	H x W x D	H x W x D	H x W x D	H x W x D
Uncrated (In.)	34 x 17-1/2 x 28-3/4	34 x 17-1/2 x 28-3/4	34 x 17-1/2 x 28-3/4	34 x 17-1/2 x 28-3/4
Crated (In.)	35-1/2 x 19-1/2 x 30-7/8	35-1/2 x 19-1/2 x 30-7/8	35-1/2 x 19-1/2 x 30-7/8	35-1/2 x 19-1/2 x 30-7/8
WEIGHT				
Shipping (Lbs.)/Net (Lbs.)	122/114	127/119	130/122	135/127

- (a) Meets Energy Star
 (b) For U.S. applications, above input ratings (BTUH) are up to 2,000 feet, derate 4% per 1,000 feet for elevations above 2,000 feet above sea level. For Canadian applications, above input ratings (BTUH) are up to 4,500 feet, derate 4% per 1,000 feet for elevations above 4,500 feet above sea level.
 (c) Central Furnace heating designs are certified to ANSI Z21.47 / CSA 2.3 — latest edition.
 (d) Based on U.S. government standard tests.
 (e) Refer to the Vent Length Table in the Installer's Guide.
 (f) All S9V2 furnace models have a vent outlet diameter that equals 2 in.
 (g) The above wiring specifications are in accordance with National Electrical Code; however, installations must comply with local codes.

MODEL	S9V2C080U5PSBB (a)	S9V2C100U4PSBB (a)	S9V2C100U5PSBB (a)	S9V2D120U5PSBB (a)
TYPE	Upflow/Horizontal	Upflow/Horizontal	Upflow / Horizontal	Upflow/Horizontal
RATINGS (b)				
1st Stage Input BTUH (ICS)	52,000	65,000	65,000	78,000
1st Stage Capacity BTUH	50,440	63,050	63,050	75,660
2nd Stage Input BTUH	80,000	100,000	100,000	120,000
2nd Stage Capacity BTUH (ICS) (c) (d)	77,600	97,000	97,000	116,400
1st Stage Temp. Rise (Min.-Max.)	30 - 60	25 - 55	25 - 55	35-65
2nd Stage Temp. Rise (Min.-Max.)	35 - 65	35 - 65	30 - 60	40-70
AFUE (%) (d)	96.0	96.0	96.0	96.0
BLOWER DRIVE	DIRECT	DIRECT	DIRECT	DIRECT
Diameter — Width (In.)	11 X 10	11 X 10	11 X 10	11 X 10
No. Used	1	1	1	1
Speeds (No.)	Variable	Variable	Variable	Variable
CFM vs. in. w.g.	See Fan Performance Table	See Fan Performance Table	See Fan Performance Table	See Fan Performance Table
Motor HP	1	3/4	1	1
RPM	Variable	Variable	Variable	Variable
Volts/Ph/Hz	120 / 1 / 60	120 / 1 / 60	120 / 1 / 60	120 / 1 / 60
FLA	10.5	8.0	10.5	10.5
COMBUSTION FAN — Type	Centrifugal	Centrifugal	Centrifugal	Centrifugal
Drive — No. Speeds	Direct - 2	Direct - 2	Direct - 2	Direct - 2
Motor HP — RPM	3300/2600	3300/2600	3300/2600	3300/2600
Volts/Ph/Hz	120 / 1 / 60	120 / 1 / 60	120 / 1 / 60	120 / 1 / 60
FLA	0.66	0.66	0.66	0.66
FILTER — Furnished?	No	No	No	No
Type recommended	High Velocity	High Velocity	High Velocity	High Velocity
Hi Vel. (No.-Size-Thk.)	1 — 20x25 — 1 in.	1 — 20x25 — 1 in.	1 — 20x25 — 1 in.	1 — 24x25 — 1 in.
VENT PIPE DIAMETER — Min (in.) (e) (f)	2 Round	2 Round	2 Round	3 Round
HEAT EXCHANGER				
Type — Fired	409 Stainless Steel	409 Stainless Steel	409 Stainless Steel	409 Stainless Steel
— Unfired	29-4C Stainless Steel	29-4C Stainless Steel	29-4C Stainless Steel	29-4C Stainless Steel



Product Specification

MODEL	S9V2C080U5PSBB (a)	S9V2C100U4PSBB (a)	S9V2C100U5PSBB (a)	S9V2D120U5PSBB (a)
Gauge (Fired)	20	20	20	20
ORIFICES — Main				
Nat. Gas Qty. — Drill Size	4 - 45	5 - 45	5 - 45	6 - 45
LP Gas Qty. — Drill Size	4- 56	5- 56	5- 56	6- 56
GAS VALVE	Redundant - Two Stage	Redundant - Two Stage	Redundant - Two Stage	Redundant - Two Stage
PILOT SAFETY DEVICE				
Type	120 V SiNi Igniter	120 V SiNi Igniter	120 V SiNi Igniter	120 V SiNi Igniter
BURNERS — Type	Multiport Inshot	Multiport Inshot	Multiport Inshot	Multiport Inshot
Number	4	5	5	6
POWER CONN. — V/Ph/Hz (g)	120 / 1 / 60	120 / 1 / 60	120 / 1 / 60	120 / 1 / 60
Ampacity (In Amps)	13.9	10.8	13.9	13.9
Max. Overcurrent Protection (Amps)	15	15	15	15
PIPE CONN. SIZE (in.)	1/2	1/2	1/2	1/2
DIMENSIONS	H x W x D	H x W x D	H x W x D	H x W x D
Uncrated (In.)	34 x 21 x 28-3/4	34 x 21 x 28-3/4	34 x 21 x 28-3/4	34 x 24-1/2 x 28-3/4
Crated (In.)	35-1/2 x 23 x 30-7/8	35-1/2 x 23 x 30-7/8	35-1/2 x 23 x 30-7/8	35-1/2 x 26-1/2 x 30-7/8
WEIGHT				
Shipping (Lbs.)/Net (Lbs.)	149/139	154/144	155/145	167/156

(a) Meets Energy Star

(b) For U.S. applications, above input ratings (BTUH) are up to 2,000 feet, derate 4% per 1,000 feet for elevations above 2,000 feet above sea level. For Canadian applications, above input ratings (BTUH) are up to 4,500 feet, derate 4% per 1,000 feet for elevations above 4,500 feet above sea level.

(c) Central Furnace heating designs are certified to ANSI Z21.47 / CSA 2.3 — latest edition.

(d) Based on U.S. government standard tests.

(e) Refer to the Vent Length Table in the Installer's Guide.

(f) All S9V2 furnace models have a vent outlet diameter that equals 2 in.

(g) The above wiring specifications are in accordance with National Electrical Code; however, installations must comply with local codes.

MODEL	S9V2B040D3PSBB (a)	S9V2B060D3PSBB (a)	S9V2B080D4PSBB (a)
TYPE	Downflow	Downflow	Downflow
RATINGS (b)			
1st Stage Input BTUH (ICS)	26,000	39,000	52,000
1st Stage Capacity BTUH	25,220	37,830	50,440
2nd Stage Input BTUH	40,000	60,000	80,000
2nd Stage Capacity BTUH (ICS) (c) (d)	38,800	58,200	77,600
1st Stage Temp. Rise (Min.-Max.)	25 - 55	25 - 55	30 - 60
2nd Stage Temp. Rise (Min.-Max.)	30 - 60	35 - 65	35 - 65
AFUE (%) (d)	96.0	96.0	96.0
BLOWER DRIVE	DIRECT	DIRECT	DIRECT
Diameter — Width (In.)	11 X 8	11 X 8	11 X 8
No. Used	1	1	1
Speeds (No.)	Variable	Variable	Variable
CFM vs. in. w.g.	See Fan Performance Table	See Fan Performance Table	See Fan Performance Table
Motor HP	1/2	1/2	3/4
RPM	Variable	Variable	Variable
Volts/Ph/Hz	120 / 1 / 60	120 / 1 / 60	120 / 1 / 60
FLA	5.7	5.7	8.0
COMBUSTION FAN — Type	Centrifugal	Centrifugal	Centrifugal

MODEL	S9V2B040D3PSBB (a)	S9V2B060D3PSBB (a)	S9V2B080D4PSBB (a)
Drive — No. Speeds	Direct - 2	Direct - 2	Direct - 2
Motor HP — RPM	3300/2600	3300/2600	3300/2600
Volts/Ph/Hz	120 / 1 / 60	120 / 1 / 60	120 / 1 / 60
FLA	0.66	0.66	0.66
FILTER — Furnished?	No	No	No
Type recommended	High Velocity	High Velocity	High Velocity
Hi Vel. (No.-Size-Thk.)	2 — 14x20 — 1 in.	2 — 14x20 — 1 in.	2 — 14x20 — 1 in.
VENT PIPE DIAMETER — Min (in.) (e) (f)	2 Round	2 Round	2 Round
HEAT EXCHANGER			
Type — Fired	409 Stainless Steel	409 Stainless Steel	409 Stainless Steel
— Unfired	29-4C Stainless Steel	29-4C Stainless Steel	29-4C Stainless Steel
Gauge (Fired)	20	20	20
ORIFICES — Main			
Nat. Gas Qty. — Drill Size	2- 45	3 - 45	4 - 45
LP Gas Qty. — Drill Size	2- 56	3 - 56	4- 56
GAS VALVE	Redundant - Two Stage	Redundant - Two Stage	Redundant - Two Stage
PILOT SAFETY DEVICE			
Type	120 V SiNi Igniter	120 V SiNi Igniter	120 V SiNi Igniter
BURNERS — Type	Multiport Inshot	Multiport Inshot	Multiport Inshot
Number	2	3	4
POWER CONN. — V/Ph/Hz (g)	120 / 1 / 60	120 / 1 / 60	120 / 1 / 60
Ampacity (In Amps)	7.9	7.9	10.8
Max. Overcurrent Protection (Amps)	15	15	15
PIPE CONN. SIZE (in.)	1/2	1/2	1/2
DIMENSIONS	H x W x D	H x W x D	H x W x D
Uncrated (In.)	34 x 17-1/2 x 28-3/4	34 x 17-1/2 x 28-3/4	34 x 17-1/2 x 28-3/4
Crated (In.)	35-1/2 x 19-1/2 x 30-7/8	35-1/2 x 19-1/2 x 30-7/8	35-1/2 x 19-1/2 x 30-7/8
WEIGHT			
Shipping (Lbs.)/Net (Lbs.)	122/114	127/119	135/127

(a) Meets Energy Star

(b) For U.S. applications, above input ratings (BTUH) are up to 2,000 feet, derate 4% per 1,000 feet for elevations above 2,000 feet above sea level. For Canadian applications, above input ratings (BTUH) are up to 4,500 feet, derate 4% per 1,000 feet for elevations above 4,500 feet above sea level.

(c) Central Furnace heating designs are certified to ANSI Z21.47 / CSA 2.3.

(d) Based on U.S. government standard tests.

(e) Refer to the Vent Length Table in the Installer's Guide.

(f) All S9V2 furnace models have a vent outlet diameter that equals 2 in.

(g) The above wiring specifications are in accordance with National Electrical Code; however, installations must comply with local codes.



Product Specification

MODEL	S9V2C100D4PSBB (a)	S9V2C100D5PSBB (a)	S9V2D120D5PSBB (a)
TYPE	Downflow	Downflow	Downflow
RATINGS (b)			
1st Stage Input BTUH (ICS)	65,000	65,000	78,000
1st Stage Capacity BTUH	63,050	63,050	75,660
2nd Stage Input BTUH	100,000	100,000	120,000
2nd Stage Capacity BTUH (ICS) (c) (d)	97,000	97,000	116,400
1st Stage Temp. Rise (Min.-Max.)	25 - 55	25 - 55	35-65
2nd Stage Temp. Rise (Min.-Max.)	35 - 65	30 - 60	40-70
AFUE (%) (d)	96.0	96.0	96.0
BLOWER DRIVE	DIRECT	DIRECT	DIRECT
Diameter — Width (In.)	11 X 10	11 X 10	11 X 10
No. Used	1	1	1
Speeds (No.)	Variable	Variable	Variable
CFM vs. in. w.g.	See Fan Performance Table	See Fan Performance Table	See Fan Performance Table
Motor HP	3/4	1	1
RPM	Variable	Variable	Variable
Volts/Ph/Hz	120 / 1 / 60	120 / 1 / 60	120 / 1 / 60
FLA	8.0	10.5	10.5
COMBUSTION FAN — Type	Centrifugal	Centrifugal	Centrifugal
Drive — No. Speeds	Direct - 2	Direct - 2	Direct - 2
Motor HP — RPM	3300/2600	3300/2600	3300/2600
Volts/Ph/Hz	120 / 1 / 60	120 / 1 / 60	120 / 1 / 60
FLA	0.66	0.66	0.66
FILTER — Furnished?	No	No	No
Type recommended	High Velocity	High Velocity	High Velocity
Hi Vel. (No.-Size-Thk.)	2 — 16x20 — 1 in.	2 — 16x20 — 1 in.	2 — 16x20 — 1 in.
VENT PIPE DIAMETER — Min (in.) (e) (f)	2 Round	2 Round	3 Round
HEAT EXCHANGER			
Type — Fired	409 Stainless Steel	409 Stainless Steel	409 Stainless Steel
— Unfired	29-4C Stainless Steel	29-4C Stainless Steel	29-4C Stainless Steel
Gauge (Fired)	20	20	20
ORIFICES — Main			
Nat. Gas Qty. — Drill Size	5 - 45	5 - 45	6 - 45
LP Gas Qty. — Drill Size	5- 56	5- 56	6- 56
GAS VALVE	Redundant - Two Stage	Redundant - Two Stage	Redundant - Two Stage
PILOT SAFETY DEVICE			
Type	120 V SiNi Igniter	120 V SiNi Igniter	120 V SiNi Igniter
BURNERS — Type	Multiport Inshot	Multiport Inshot	Multiport Inshot
Number	5	5	6
POWER CONN. — V/Ph/Hz (g)	120 / 1 / 60	120 / 1 / 60	120 / 1 / 60
Ampacity (In Amps)	10.8	13.9	13.9
Max. Overcurrent Protection (Amps)	15	15	15
PIPE CONN. SIZE (in.)	1/2	1/2	1/2

MODEL	S9V2C100D4PSBB (a)	S9V2C100D5PSBB (a)	S9V2D120D5PSBB (a)
DIMENSIONS	H x W x D	H x W x D	H x W x D
Uncrated (In.)	34 x 21 x 28-3/4	34 x 21 x 28-3/4	34 x 24-1/2 x 28-3/4
Crated (In.)	35-1/2 x 23 x 30-7/8	35-1/2 x 23 x 30-7/8	35-1/2 x 26-1/2 x 30-7/8
WEIGHT			
Shipping (Lbs.)/Net (Lbs.)	154/144	155/145	167/156

- (a) Meets Energy Star
- (b) For U.S. applications, above input ratings (BTUH) are up to 2,000 feet, derate 4% per 1,000 feet for elevations above 2,000 feet above sea level. For Canadian applications, above input ratings (BTUH) are up to 4,500 feet, derate 4% per 1,000 feet for elevations above 4,500 feet above sea level.
- (c) Central Furnace heating designs are certified to ANSI Z21.47 / CSA 2.3.
- (d) Based on U.S. government standard tests.
- (e) Refer to the Vent Length Table in the Installer's Guide.
- (f) All S9V2 furnace models have a vent outlet diameter that equals 2 in.
- (g) The above wiring specifications are in accordance with National Electrical Code; however, installations must comply with local codes.



Heating and Cooling Airflow Tables

Table 2. S9V2B040U3PSBB Heating Airflow

S9V2B040U3PSBB Furnace Heating Airflow (CFM) and Power (Watts) vs. External Static Pressure with Filter								
				1st Stage Capacity = 25,220 2nd Stage Capacity = 38,800				
Heating	Airflow Setting	Target Airflow		External Static Pressure				
				0.1	0.3	0.5	0.7	0.9
Heating 1st Stage	Low	468	CFM	468	452	437	421	406
			Temp. Rise	49	51	54	56	58
			Watts	27	58	90	121	152
	Medium Low	598	CFM	552	600	647	694	741
			Temp. Rise	43	39	36	32	28
			Watts	41	76	112	147	183
	Medium (a)	634	CFM	583	635	687	739	791
			Temp. Rise	39	36	33	30	27
			Watts	48	83	118	153	189
	High	1008	CFM	930	905	879	853	828
			Temp. Rise	25	25	26	27	27
			Watts	125	178	232	285	339
Heating 2nd Stage	Low	650	CFM	633	636	639	643	646
			Temp. Rise	57	57	57	56	56
			Watts	48	92	135	179	223
	Medium Low	830	CFM	760	786	813	840	866
			Temp. Rise	48	46	45	43	41
			Watts	82	132	182	232	282
	Medium (a)	880	CFM	792	817	842	867	892
			Temp. Rise	44	44	43	43	42
			Watts	94	142	189	237	284
	High	1400	CFM	1337	1269	1200	1132	1063
			Temp. Rise	27	29	31	32	34
			Watts	335	376	417	458	499

(a) Factory Setting.

Table 3. S9V2B040D3PSBB Heating Airflow

S9V2B040D3PSBB Furnace Heating Airflow (CFM) and Power (Watts) vs. External Static Pressure with Filter								
				1st Stage Capacity = 25,220 2nd Stage Capacity = 38,800				
Heating	Airflow Setting	Target Airflow		External Static Pressure				
				0.1	0.3	0.5	0.7	0.9
Heating 1st Stage	Low	468	CFM	464	453	442	431	420
			Temp. Rise	51	52	53	54	55
			Watts	26	55	84	113	142
	Medium Low (a)	634	CFM	616	607	599	591	583
			Temp. Rise	38	38	39	40	40
			Watts	40	78	115	152	190
	Medium	684	CFM	635	643	650	658	666
			Temp. Rise	37	37	36	36	35
			Watts	47	106	165	224	283
	High	900	CFM	824	843	861	880	898
			Temp. Rise	28	28	27	26	26
			Watts	82	130	178	226	274
Heating 2nd Stage	Low	650	CFM	662	655	649	642	635
			Temp. Rise	54	55	55	56	56
			Watts	37	79	120	162	203
	Medium Low (a)	880	CFM	811	818	826	834	841
			Temp. Rise	45	44	44	43	42
			Watts	67	121	176	230	284
	Medium	950	CFM	859	865	871	877	884
			Temp. Rise	42	41	41	41	41
			Watts	88	144	200	256	312
	High	1250	CFM	1082	1092	1102	1111	1121
			Temp. Rise	33	33	33	33	33
			Watts	192	253	314	375	436

(a) Factory Setting.

Table 4. S9V2B040U3PSBB / S9V2B040D3PSBB Cooling Airflow

S9V2B040U3PSBB / S9V2B040D3PSBB Furnace Cooling Airflow (CFM) and Power (Watts) vs. External Static Pressure with Filter								
Cooling	Unit Outdoor	Airflow Setting (CFM/ton)		External Static Pressure				
				0.1	0.3	0.5	0.7	0.9
Cooling	1.5 Ton	Cooling 450	CFM	675	675	675	675	675
		CFM/Ton	Watts	47	81	121	166	215
		Cooling 420	CFM	630	630	630	630	630
		CFM/Ton	Watts	40	72	111	154	202
		Cooling 400	CFM	600	600	600	600	600
		CFM/Ton	Watts	36	67	105	147	193
		Cooling 370	CFM	555	555	555	555	555
		CFM/Ton	Watts	30	60	96	136	181
		Cooling 350	CFM	525	525	525	525	525
		CFM/Ton	Watts	27	56	90	130	174
		Cooling 330	CFM	495	495	495	495	495
		CFM/Ton	Watts	24	51	85	124	167
Cooling 310	CFM	465	465	465	465	465		
CFM/Ton	Watts	21	48	80	118	161		
Cooling 290	CFM	435	435	435	435	435		
CFM/Ton	Watts	19	44	76	113	155		
Cooling	2.0 Ton	Cooling 450	CFM	900	900	900	900	900
		CFM/Ton	Watts	94	137	186	240	298
		Cooling 420	CFM	840	840	840	840	840
		CFM/Ton	Watts	79	120	166	218	273
		Cooling 400	CFM	800	800	800	800	800
		CFM/Ton	Watts	70	109	154	204	258
		Cooling 370	CFM	740	740	740	740	740
		CFM/Ton	Watts	58	95	138	185	236
		Cooling 350	CFM	700	700	700	700	700
		CFM/Ton	Watts	51	86	127	173	223
		Cooling 330	CFM	660	660	660	660	660
		CFM/Ton	Watts	44	78	118	162	211
Cooling 310	CFM	620	620	620	620	620		
CFM/Ton	Watts	38	71	109	152	199		
Cooling 290	CFM	580	580	580	580	580		
CFM/Ton	Watts	33	64	101	142	188		
Cooling	2.5 Ton	Cooling 450	CFM	1125	1125	1125	1125	1125
		CFM/Ton	Watts	167	219	278	341	408
		Cooling 420	CFM	1050	1050	1050	1050	1050
		CFM/Ton	Watts	139	188	244	304	368
		Cooling 400	CFM	1000	1000	1000	1000	1000
		CFM/Ton	Watts	123	170	223	281	343
		Cooling 370	CFM	925	925	925	925	925
		CFM/Ton	Watts	100	145	195	250	308
		Cooling 350	CFM	875	875	875	875	875
		CFM/Ton	Watts	87	129	178	230	287
		Cooling 330	CFM	825	825	825	825	825
		CFM/Ton	Watts	121	160	205	254	308
Cooling 310	CFM	775	775	775	775	775		
CFM/Ton	Watts	101	139	182	229	281		
Cooling 290	CFM	725	725	725	725	725		
CFM/Ton	Watts	88	123	164	210	260		
Cooling	3.0 Ton ^(a)	Cooling 450	CFM	1350	1350	1350	1298	1198
		CFM/Ton	Watts	272	334	402	440	450
		Cooling 420	CFM	1260	1260	1260	1260	1198
		CFM/Ton	Watts	226	284	348	417	450
		Cooling 400	CFM	1200	1200	1200	1200	1198
		CFM/Ton	Watts	198	254	315	381	450
		Cooling 370	CFM	1110	1110	1110	1110	1110
		CFM/Ton	Watts	161	213	271	333	399
		Cooling 350	CFM	1050	1050	1050	1050	1050
		CFM/Ton ^(a)	Watts	139	188	244	304	368
		Cooling 330	CFM	990	990	990	990	990
		CFM/Ton	Watts	119	166	219	277	338
Cooling 310	CFM	930	930	930	930	930		
CFM/Ton	Watts	102	146	197	252	311		
Cooling 290	CFM	870	870	870	870	870		
CFM/Ton	Watts	86	128	176	229	285		

^(a) Factory Setting



Heating and Cooling Airflow Tables

Table 5. S9V2B060U3PSBB Heating Airflow

S9V2B060U3PSBB Furnace Heating Airflow (CFM) and Power (Watts) vs. External Static Pressure with Filter								
				1st Stage Capacity = 37,830				
				2nd Stage Capacity = 58,200				
Heating	Airflow Setting	Target Airflow		External Static Pressure				
				0.1	0.3	0.5	0.7	0.9
Heating 1st Stage	Low	632	CFM	660	658	656	654	652
			Temp. Rise	53	53	53	53	54
			Watts	48	85	121	157	193
	Medium Low ^(a)	814	CFM	860	856	852	848	844
			Temp. Rise	41	41	42	42	43
			Watts	91	128	164	200	236
	Medium	893	CFM	900	899	898	897	896
			Temp. Rise	39	39	39	39	39
			Watts	110	147	183	219	255
	High	1027	CFM	1068	1061	1054	1047	1041
			Temp. Rise	33	33	33	33	33
			Watts	165	202	239	276	313
Heating 2nd Stage	Low	800	CFM	838	838	837	837	837
			Temp. Rise	64	64	64	64	64
			Watts	81	127	172	218	264
	Medium Low ^(a)	1030	CFM	1097	1084	1071	1058	1045
			Temp. Rise	49	50	50	51	52
			Watts	157	209	262	314	366
	Medium	1130	CFM	1140	1135	1130	1124	1119
			Temp. Rise	47	47	48	48	48
			Watts	201	255	308	362	416
	High	1300	CFM	1289	1288	1288	1287	1287
			Temp. Rise	42	42	42	42	42
			Watts	319	365	410	456	502

^(a) Factory Setting.

Table 6. S9V2B060D3PSBB Heating Airflow

S9V2B060D3PSBB Furnace Heating Airflow (CFM) and Power (Watts) vs. External Static Pressure with Filter								
				1st Stage Capacity = 37,830				
				2nd Stage Capacity = 58,200				
Heating	Airflow Setting	Target Airflow		External Static Pressure				
				0.1	0.3	0.5	0.7	0.9
Heating 1st Stage	Low	632	CFM	634	636	638	640	641
			Temp. Rise	55	55	55	55	55
			Watts	52	93	133	174	215
	Medium Low	711	CFM	712	713	714	715	716
			Temp. Rise	49	49	49	49	49
			Watts	63	106	148	190	232
	Medium ^(a)	814	CFM	814	814	814	814	814
			Temp. Rise	43	43	43	43	43
			Watts	88	135	181	228	274
	High	893	CFM	892	892	891	890	889
			Temp. Rise	39	39	39	39	39
			Watts	104	145	186	227	268
Heating 2nd Stage	Low	800	CFM	800	800	801	801	801
			Temp. Rise	67	67	67	67	67
			Watts	82	134	186	238	290
	Medium Low	900	CFM	899	898	898	897	896
			Temp. Rise	60	60	60	60	60
			Watts	109	163	217	271	325
	Medium ^(a)	1030	CFM	1028	1026	1024	1022	1019
			Temp. Rise	52	53	53	53	53
			Watts	161	210	260	310	360
	High	1130	CFM	1127	1124	1121	1118	1114
			Temp. Rise	48	48	48	48	48
			Watts	189	247	305	363	421

^(a) Factory Setting.

Table 7. S9V2B060U3PSBB / S9V2B060D3PSBB Cooling Airflow

S9V2B060U3PSBB / S9V2B060D3PSBB Furnace Cooling Airflow (CFM) and Power (Watts) vs. External Static Pressure with Filter								
Cooling	Unit Outdoor	Airflow Setting (CFM/ton)		External Static Pressure				
				0.1	0.3	0.5	0.7	0.9
Cooling	1.5 Ton	Cooling 450	CFM	675	675	675	675	675
		CFM/Ton	Watts	46	81	121	165	212
		Cooling 420	CFM	630	630	630	630	630
		CFM/Ton	Watts	40	72	111	153	200
		Cooling 400	CFM	600	600	600	600	600
		CFM/Ton	Watts	36	67	105	146	192
		Cooling 370	CFM	555	555	555	555	555
		CFM/Ton	Watts	30	60	96	137	182
		Cooling 350	CFM	525	525	525	525	525
		CFM/Ton	Watts	27	56	91	131	175
		Cooling 330	CFM	495	495	495	495	495
		CFM/Ton	Watts	24	52	86	126	170
Cooling 310	CFM	465	465	465	465	465		
CFM/Ton	Watts	21	48	82	121	164		
Cooling 290	CFM	435	435	435	435	435		
CFM/Ton	Watts	19	45	78	116	160		
Cooling	2.0 Ton	Cooling 450	CFM	900	900	900	900	900
		CFM/Ton	Watts	92	135	184	236	291
		Cooling 420	CFM	840	840	840	840	840
		CFM/Ton	Watts	78	118	164	214	267
		Cooling 400	CFM	800	800	800	800	800
		CFM/Ton	Watts	69	108	153	201	253
		Cooling 370	CFM	740	740	740	740	740
		CFM/Ton	Watts	57	94	136	183	232
		Cooling 350	CFM	700	700	700	700	700
		CFM/Ton	Watts	50	86	126	171	220
		Cooling 330	CFM	660	660	660	660	660
		CFM/Ton	Watts	44	78	117	161	208
Cooling 310	CFM	620	620	620	620	620		
CFM/Ton	Watts	38	71	109	151	197		
Cooling 290	CFM	580	580	580	580	580		
CFM/Ton	Watts	33	64	101	142	187		
Cooling	2.5 Ton	Cooling 450	CFM	1125	1125	1125	1125	1125
		CFM/Ton	Watts	164	216	273	334	399
		Cooling 420	CFM	1050	1050	1050	1050	1050
		CFM/Ton	Watts	137	186	240	298	359
		Cooling 400	CFM	1000	1000	1000	1000	1000
		CFM/Ton	Watts	121	168	220	276	335
		Cooling 370	CFM	925	925	925	925	925
		CFM/Ton	Watts	99	143	192	245	302
		Cooling 350	CFM	875	875	875	875	875
		CFM/Ton	Watts	86	128	175	227	281
		Cooling 330	CFM	825	825	825	825	825
		CFM/Ton	Watts	74	115	160	209	262
Cooling 310	CFM	775	775	775	775	775		
CFM/Ton	Watts	64	102	146	193	244		
Cooling 290	CFM	725	725	725	725	725		
CFM/Ton	Watts	54	91	133	178	228		
Cooling	3.0 Ton ^(a)	Cooling 450	CFM	1350	1350	1350	1296	1218
		CFM/Ton	Watts	267	329	395	431	452
		Cooling 420	CFM	1260	1260	1260	1260	1218
		CFM/Ton	Watts	222	279	342	409	452
		Cooling 400	CFM	1200	1200	1200	1200	1200
		CFM/Ton	Watts	195	250	310	374	441
		Cooling 370	CFM	1110	1110	1110	1110	1110
		CFM/Ton	Watts	158	210	266	327	390
		Cooling 350	CFM	1050	1050	1050	1050	1050
		CFM/Ton ^(a)	Watts	137	186	240	298	359
		Cooling 330	CFM	990	990	990	990	990
		CFM/Ton	Watts	118	164	216	272	330
Cooling 310	CFM	930	930	930	930	930		
CFM/Ton	Watts	100	145	194	247	304		
Cooling 290	CFM	870	870	870	870	870		
CFM/Ton	Watts	85	127	174	225	279		

^(a) Factory Setting



Heating and Cooling Airflow Tables

Table 8. S9V2B060U4PSBB Heating Airflow

S9V2B060U4PSBB Furnace Heating Airflow (CFM) and Power (Watts) vs. External Static Pressure with Filter								
				1st Stage Capacity = 37,830				
				2nd Stage Capacity = 58,200				
Heating	Airflow Setting	Target Airflow		External Static Pressure				
				0.1	0.3	0.5	0.7	0.9
Heating 1st Stage	Low	782	CFM	776	769	762	756	749
			Temp. Rise	45	45	45	45	46
			Watts	70	109	149	188	227
	Medium Low	861	CFM	842	823	805	786	768
			Temp. Rise	42	43	43	44	44
			Watts	88	126	164	202	240
	Medium (a)	916	CFM	863	860	858	855	853
			Temp. Rise	41	41	41	41	41
			Watts	105	143	181	219	257
	High	1027	CFM	1105	1084	1063	1042	1021
			Temp. Rise	32	32	33	34	34
			Watts	135	173	210	248	285
Heating 2nd Stage	Low	990	CFM	1002	996	990	984	979
			Temp. Rise	55	55	55	55	55
			Watts	126	172	219	266	313
	Medium Low	1090	CFM	1130	1117	1105	1092	1079
			Temp. Rise	49	49	49	50	50
			Watts	160	206	253	300	347
	Medium (a)	1160	CFM	1139	1133	1128	1122	1116
			Temp. Rise	48	48	49	49	49
			Watts	181	231	281	331	381
	High	1300	CFM	1319	1307	1295	1283	1272
			Temp. Rise	41	42	42	42	43
			Watts	246	300	353	407	461

(a) Factory Setting.

Table 9. S9V2B060U4PSBB Cooling Airflow

S9V2B060U4PSBB Furnace Cooling Airflow (CFM) and Power (Watts) vs. External Static Pressure with Filter										
Cooling	Unit Outdoor	Airflow Setting (CFM/ton)	External Static Pressure							
				0.1	0.3	0.5	0.7	0.9		
Cooling	2.5 Ton	Cooling 450 CFM/Ton	CFM	1125	1125	1125	1125	1125		
			Watts	154	205	261	319	381		
		Cooling 420 CFM/Ton	CFM	1050	1050	1050	1050	1050		
			Watts	128	177	229	285	343		
		Cooling 400 CFM/Ton	CFM	1000	1000	1000	1000	1000		
			Watts	113	159	210	264	320		
		Cooling 370 CFM/Ton	CFM	925	925	925	925	925		
			Watts	93	136	184	234	288		
		Cooling 350 CFM/Ton	CFM	875	875	875	875	875		
			Watts	81	122	168	217	269		
		Cooling 330 CFM/Ton	CFM	825	825	825	825	825		
			Watts	70	109	153	200	251		
		Cooling 310 CFM/Ton	CFM	775	775	775	775	775		
			Watts	60	97	139	185	234		
		Cooling 290 CFM/Ton	CFM	725	725	725	725	725		
			Watts	51	87	127	171	219		
		Cooling	3.0 Ton	Cooling 450 CFM/Ton	CFM	1350	1350	1350	1350	1350
					Watts	250	312	377	445	515
Cooling 420 CFM/Ton	CFM			1260	1260	1260	1260	1260		
	Watts			208	265	326	390	457		
Cooling 400 CFM/Ton	CFM			1200	1200	1200	1200	1200		
	Watts			182	237	296	357	422		
Cooling 370 CFM/Ton	CFM			1110	1110	1110	1110	1110		
	Watts			148	199	254	312	373		
Cooling 350 CFM/Ton	CFM			1050	1050	1050	1050	1050		
	Watts			128	177	229	285	343		
Cooling 330 CFM/Ton	CFM			990	990	990	990	990		
	Watts			110	156	206	260	316		
Cooling 310 CFM/Ton	CFM			930	930	930	930	930		
	Watts			94	138	185	236	290		
Cooling 290 CFM/Ton	CFM			870	870	870	870	870		
	Watts			80	121	166	215	267		
Cooling	3.5 Ton			Cooling 450 CFM/Ton	CFM	1575	1575	1575	1575	1575
					Watts	382	453	528	606	686
		Cooling 420 CFM/Ton	CFM	1470	1470	1470	1470	1470		
			Watts	316	382	453	526	602		
		Cooling 400 CFM/Ton	CFM	1400	1400	1400	1400	1400		
			Watts	276	340	407	477	550		
		Cooling 370 CFM/Ton	CFM	1295	1295	1295	1295	1295		
			Watts	224	283	345	411	479		
		Cooling 350 CFM/Ton	CFM	1225	1225	1225	1225	1225		
			Watts	193	249	308	371	436		
		Cooling 330 CFM/Ton	CFM	1155	1155	1155	1155	1155		
			Watts	165	218	274	334	397		
		Cooling 310 CFM/Ton	CFM	1085	1085	1085	1085	1085		
			Watts	140	190	243	301	360		
		Cooling 290 CFM/Ton	CFM	1015	1015	1015	1015	1015		
			Watts	118	165	216	270	327		
		Cooling	4.0 Ton ^(a)	Cooling 450 CFM/Ton	CFM	1800	1800	1730	1670	1600
					Watts	554	636	656	686	708
Cooling 420 CFM/Ton	CFM			1680	1680	1680	1670	1600		
	Watts			457	533	613	686	708		
Cooling 400 CFM/Ton	CFM			1600	1600	1600	1600	1600		
	Watts			399	472	548	626	708		
Cooling 370 CFM/Ton	CFM			1480	1480	1480	1480	1480		
	Watts			322	389	459	533	609		
Cooling 350 CFM/Ton ^(a)	CFM			1400	1400	1400	1400	1400		
	Watts			276	340	407	477	550		
Cooling 330 CFM/Ton	CFM			1320	1320	1320	1320	1320		
	Watts			236	296	359	426	495		
Cooling 310 CFM/Ton	CFM			1240	1240	1240	1240	1240		
	Watts			199	256	316	379	445		
Cooling 290 CFM/Ton	CFM			1160	1160	1160	1160	1160		
	Watts			167	220	277	337	399		

^(a) Factory Setting



Heating and Cooling Airflow Tables

Table 10. S9V2B080U4PSBB Heating Airflow

S9V2B080U4PSBB Furnace Heating Airflow (CFM) and Power (Watts) vs. External Static Pressure with Filter				1st Stage Capacity = 50,440 2nd Stage Capacity = 77,600				
Heating	Airflow Setting	Target Airflow		External Static Pressure				
				0.1	0.3	0.5	0.7	0.9
Heating 1st Stage	Low	864	CFM	914	882	849	816	783
			Temp. Rise	51	53	55	57	59
			Watts	90	131	172	213	255
	Medium Low ^(a)	907	CFM	940	912	885	858	831
			Temp. Rise	50	51	53	54	56
			Watts	104	141	178	215	253
	Medium	958	CFM	983	932	881	830	779
			Temp. Rise	47	50	53	55	58
			Watts	118	151	184	218	251
	High	1051	CFM	1029	1068	1107	1146	1185
			Temp. Rise	45	44	42	40	39
			Watts	155	195	235	275	314
Heating 2nd Stage	Low	1200	CFM	1207	1206	1205	1204	1203
			Temp. Rise	60	60	60	60	60
			Watts	206	258	309	361	412
	Medium Low ^(a)	1260	CFM	1260	1261	1262	1263	1264
			Temp. Rise	57	57	57	57	57
			Watts	232	287	342	397	452
	Medium	1330	CFM	1360	1347	1333	1320	1306
			Temp. Rise	53	53	54	54	55
			Watts	263	322	380	439	497
	High	1460	CFM	1420	1439	1458	1477	1496
			Temp. Rise	51	50	49	49	48
			Watts	377	433	489	546	602

^(a) Factory Setting.

Table 11. S9V2B080D4PSBB Heating Airflow

S9V2B080D4PSBB Furnace Heating Airflow (CFM) and Power (Watts) vs. External Static Pressure with Filter				1st Stage Capacity = 50,440 2nd Stage Capacity = 77,600				
Heating	Airflow Setting	Target Airflow		External Static Pressure				
				0.1	0.3	0.5	0.7	0.9
Heating 1st Stage	Low	864	CFM	770	770	770	770	770
			Temp. Rise	61	61	61	61	61
			Watts	72	118	164	210	256
	Medium Low ^(a)	907	CFM	809	809	809	809	809
			Temp. Rise	58	58	58	58	58
			Watts	88	134	180	227	273
	Medium	958	CFM	854	854	854	854	854
			Temp. Rise	54	54	54	54	54
			Watts	101	150	198	247	296
	High	1051	CFM	993	993	993	993	993
			Temp. Rise	47	47	47	47	47
			Watts	133	186	239	292	346
Heating 2nd Stage	Low	1200	CFM	1082	1082	1082	1082	1082
			Temp. Rise	66	66	66	66	66
			Watts	181	239	298	357	416
	Medium Low ^(a)	1260	CFM	1190	1190	1190	1190	1190
			Temp. Rise	59	59	59	59	59
			Watts	206	268	329	390	451
	Medium	1330	CFM	1225	1225	1225	1225	1225
			Temp. Rise	58	58	58	58	58
			Watts	239	303	367	431	495
	High	1480	CFM	1227	1227	1227	1227	1227
			Temp. Rise	57	57	57	57	57
			Watts	320	390	460	530	600

^(a) Factory Setting.

Table 12. S9V2B080U4PSBB / S9V2B080D4PSBB Cooling Airflow

S9V2B080U4PSBB / S9V2B080D4PSBB Furnace Cooling Airflow (CFM) and Power (Watts) vs. External Static Pressure with Filter								
Cooling	Unit Outdoor	Airflow Setting (CFM/ton)		External Static Pressure				
				0.1	0.3	0.5	0.7	0.9
Cooling	2.5 Ton	Cooling 450	CFM	1125	1125	1125	1125	1125
			CFM/Ton	Watts	155	205	259	316
		Cooling 420	CFM	1050	1050	1050	1050	1050
			CFM/Ton	Watts	130	177	228	282
		Cooling 400	CFM	1000	1000	1000	1000	1000
			CFM/Ton	Watts	115	160	209	262
		Cooling 370	CFM	925	925	925	925	925
			CFM/Ton	Watts	94	136	183	233
		Cooling 350	CFM	875	875	875	875	875
			CFM/Ton	Watts	82	122	167	216
		Cooling 330	CFM	825	825	825	825	825
			CFM/Ton	Watts	71	110	153	199
		Cooling 310	CFM	775	775	775	775	775
			CFM/Ton	Watts	61	98	139	184
Cooling 290	CFM	725	725	725	725	725		
	CFM/Ton	Watts	52	87	127	171	218	
Cooling	3.0 Ton	Cooling 450	CFM	1350	1350	1350	1350	1350
			CFM/Ton	Watts	252	311	374	440
		Cooling 420	CFM	1260	1260	1260	1260	1260
			CFM/Ton	Watts	209	265	324	386
		Cooling 400	CFM	1200	1200	1200	1200	1200
			CFM/Ton	Watts	184	237	294	354
		Cooling 370	CFM	1110	1110	1110	1110	1110
			CFM/Ton	Watts	150	199	253	309
		Cooling 350	CFM	1050	1050	1050	1050	1050
			CFM/Ton	Watts	130	177	228	282
		Cooling 330	CFM	990	990	990	990	990
			CFM/Ton	Watts	112	156	205	258
		Cooling 310	CFM	930	930	930	930	930
			CFM/Ton	Watts	95	138	185	235
Cooling 290	CFM	870	870	870	870	870		
	CFM/Ton	Watts	81	121	166	214	265	
Cooling	3.5 Ton	Cooling 450	CFM	1575	1575	1575	1575	1575
			CFM/Ton	Watts	383	452	524	599
		Cooling 420	CFM	1470	1470	1470	1470	1470
			CFM/Ton	Watts	317	382	449	520
		Cooling 400	CFM	1400	1400	1400	1400	1400
			CFM/Ton	Watts	278	339	404	472
		Cooling 370	CFM	1295	1295	1295	1295	1295
			CFM/Ton	Watts	225	282	343	407
		Cooling 350	CFM	1225	1225	1225	1225	1225
			CFM/Ton	Watts	194	248	306	367
		Cooling 330	CFM	1155	1155	1155	1155	1155
			CFM/Ton	Watts	166	218	273	331
		Cooling 310	CFM	1085	1085	1085	1085	1085
			CFM/Ton	Watts	141	190	242	298
Cooling 290	CFM	1015	1015	1015	1015	1015		
	CFM/Ton	Watts	119	165	215	268	324	
Cooling	4.0 Ton ^(a)	Cooling 450	CFM	1800	1784	1746	1665	1581
			CFM/Ton	Watts	555	619	665	674
		Cooling 420	CFM	1680	1680	1680	1665	1581
			CFM/Ton	Watts	458	531	608	674
		Cooling 400	CFM	1600	1600	1600	1600	1600
			CFM/Ton	Watts	400	470	543	619
		Cooling 370	CFM	1480	1480	1480	1480	1480
			CFM/Ton	Watts	323	388	456	527
		Cooling 350	CFM	1400	1400	1400	1400	1400
			CFM/Ton ^(a)	Watts	278	339	404	472
		Cooling 330	CFM	1320	1320	1320	1320	1320
			CFM/Ton	Watts	237	295	357	421
		Cooling 310	CFM	1240	1240	1240	1240	1240
			CFM/Ton	Watts	201	255	314	375
Cooling 290	CFM	1160	1160	1160	1160	1160		
	CFM/Ton	Watts	168	220	275	334	395	

^(a) Factory Setting



Heating and Cooling Airflow Tables

Table 13. S9V2C080U5PSBB Heating Airflow

S9V2C080U5PSBB Furnace Heating Airflow (CFM) and Power (Watts) vs. External Static Pressure with Filter								
				1st Stage Capacity = 50,440				
				2nd Stage Capacity = 77,600				
Heating	Airflow Setting	Target Airflow		External Static Pressure				
				0.1	0.3	0.5	0.7	0.9
Heating 1st Stage	Low	857	CFM	837	870	902	934	967
			Temp. Rise	55	53	51	50	48
			Watts	65	112	160	208	256
	Medium Low ^(a)	1044	CFM	997	1015	1033	1050	1068
			Temp. Rise	46	45	45	44	43
			Watts	102	155	209	263	316
	Medium	1123	CFM	1067	1094	1121	1148	1175
			Temp. Rise	43	42	41	40	39
			Watts	123	180	236	293	350
	High	1498	CFM	1420	1416	1411	1407	1402
			Temp. Rise	32	33	33	33	34
			Watts	238	320	402	485	567
Heating 2nd Stage	Low	1190	CFM	1129	1148	1168	1188	1208
			Temp. Rise	63	62	61	60	59
			Watts	127	195	263	331	399
	Medium Low ^(a)	1450	CFM	1387	1395	1404	1412	1420
			Temp. Rise	52	51	51	51	51
			Watts	248	310	372	434	496
	Medium	1560	CFM	1484	1498	1512	1525	1539
			Temp. Rise	48	48	47	47	47
			Watts	281	358	435	512	589
	High	2080	CFM	1954	1956	1959	1961	1964
			Temp. Rise	37	37	37	37	37
			Watts	597	732	866	1001	1135

^(a) Factory Setting.