

Quick Reference Guide
Foundation™
 3 to 5 Tons Packaged
 Rooftop Units
 Cooling and Gas/Electric



Model Number: **Used With:**
 EBC Packaged Cooling, Electric Heat (Optional)
 GBC Packaged Cooling, Gas Heat

SAFETY WARNING

Only qualified personnel should install and service the equipment. The installation, starting up, and servicing of heating, ventilating, and air-conditioning equipment can be hazardous and requires specific knowledge and training. Improperly installed, adjusted or altered equipment by an unqualified person could result in death or serious injury. When working on the equipment, observe all precautions in the literature and on the tags, stickers, and labels that are attached to the equipment.

December 2022

RT-PRC083E-EN

©2022

1

List of Options

Note: Most Factory Installed Options are available for downflow air discharge units only. Verify with ordering system for availability.

Table 1. List of options

Factory Installed Options	Field Installed Options
Barometric Relief ^(a) (Downflow Low Leak Economizer Only)	Barometric Relief (Standard and Low Leak Economizer, Downflow and Horizontal Configuration)
Complete Coat™ Microchannel Condenser Coil	Crankcase Heater
Condensate Overflow Switch	Demand Control Ventilation with CO ₂ Sensor
Economizer (Downflow) ^(a)	Economizer (Horizontal)
Electric Heaters	Frostat™
Low Leak Economizer - Downflow	Low Ambient Kit
Manual Outside Air Dampers	Low Leak Economizer - Horizontal
Motorized Outside Air Dampers	LP Conversion Kit
Oversized Motor	Powered Exhaust
Reference or Comparative Enthalpy Economizer	Remote Potentiometer
Stainless Steel Heat Exchanger with 10 Year Warranty	Roof Curb
Through the Base Electrical Access	Thermostat
Through the Base Gas Piping	Tool-less Hail Guard
Unit Mounted Non-Fused Disconnect Switch ^(b)	

(a) Some field set up required.

(b) Must be ordered with Through-the-Base Electrical option.

2

Table 2. 3 to 5 tons packaged rooftop performance data (gas or electric heat)

Nominal Size (Ton)	3	4	5
Cooling Performance^(a)			
Gross Cooling Capacity	37,000	51,100	59,000
AHRI Net Cooling Capacity	36,000	49,500	57,500
Nominal Airflow CFM / AHRI Rated CFM	1200 / 1200	1600 / 1600	2000 / 1600
EER ^(b) / EER2 ^(c)	12 / 10.6	12 / 10.6	12 / 10.6
Seasonal Energy Efficiency Ratio (SEER) ^(d) / (SEER2) ^(c)	14 / 13.4	14 / 13.4	14 / 13.4
Gas Heating Performance			
Low Heat (Input/Output) - (Btu/h)	72,000 / 57,600	72,000 / 57,600	72,000 / 57,600
Medium Heat (Input/Output) - (Btu/h)	100,000 / 80,000	115,000 / 92,000	115,000 / 92,000
Other Information			
Net Weight (Lbs) - Gas Heat	524	566	586
Net Weight (Lbs) - Electric Heat	473	516	536
Filters - Type Furnished	Throwaway	Throwaway	Throwaway
Number and Size Recommended	(4) 16x16x2	(4) 16x16x2	(4) 16x16x2

(a) Cooling Performance is rated at 95°F ambient, 80°F entering dry bulb, 67°F entering wet bulb.

(b) EER is rated at AHRI conditions and in accordance with AHRI standard 210/240-2017.

(c) EER2 and SEER2 is rated at AHRI conditions and calculated in accordance with AHRI Standard 210/240-2023 at airflow and net cooling capacity not shown.

(d) Seasonal Energy Efficiency Ratio (SEER) is rated in accordance with AHRI standard 210/240 and DOE test procedures.

3

Table 3. Unit MCA and MOP electrical data (standard indoor fan motor - cooling or gas heat)

E/GBC	Volts	MCA ^(a)	MOP
036	208-230	19.5	25
	460	10.5	15
	575	6.8	15
	380 ^(b)	10.0	15
048	208-230	23.6	35
	460	11.0	15
	575	8.1	15
	380 ^(b)	13.0	20
060	208-230	26.4	40
	460	12.9	20
	575	9.2	15
	380 ^(b)	13.6	20

(a) Values do not include Power Exhaust accessory.

(b) Unit will operate reliably at 400 Vac.

Table 4. Unit indoor fan data

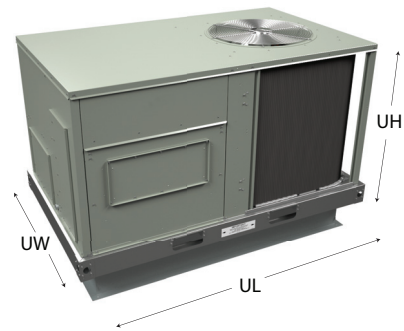
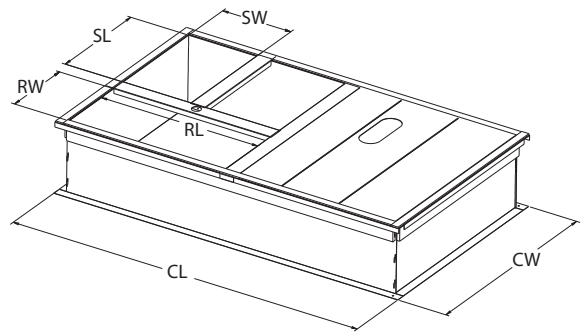
E/GBC	Volts	Standard (HP - RPM)	Oversized (HP - RPM)
036	208-230	1 - 1725	2 - 1725
	460		
	575		
	380 ^(a)		
048	208-230	1 - 1725	2 - 1725
	460		
	575		
	380 ^(a)		
060	208-230	1 - 1725	2 - 1725
	460		
	575		
	380 ^(a)		

(a) Unit will operate reliably at 400 Vac.

Table 5. Unit dimensional data

	3 to 5 Tons
Unit Length UL	76.814 in.
Unit Width UW	47.934 in.
Unit Height UH	42.004 in.
Curb Length CL	70.871 in.
Curb Width CW	41.983 in.
Supply Length SL ^(a)	21.060 in.
Supply Width SW ^(a)	14.000 in.
Return Length RL ^(a)	32.188 in.
Return Width RW ^(a)	14.430 in.

(a) Dimensions are for curb openings and not duct inserts.
Reference the product catalog for duct insert dimensions.



Trane and American Standard create comfortable, energy efficient indoor environments for commercial and residential applications. For more information, please visit trane.com or americanstandardair.com.

Trane and American Standard have a policy of continuous product and product data improvement and reserve the right to change design and specifications without notice. We are committed to using environmentally conscious print practices.