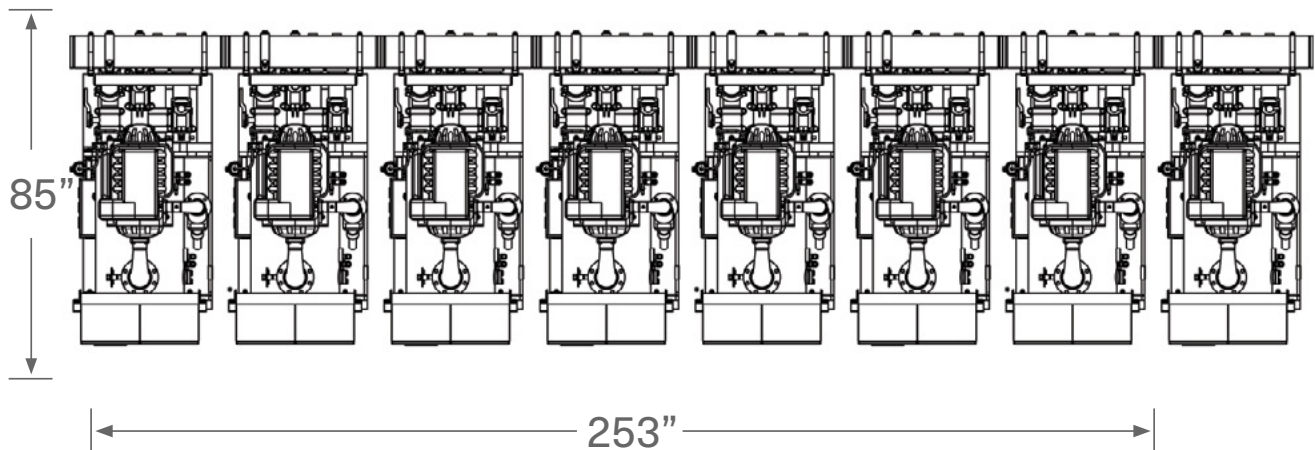


# MiniMod™ by Arctic



- Capacity range from 60 to 660 tons
- Driven by an ultra quiet oil free compressor
- Variable speed compressor for low noise, precise load matching and ultra low inrush current at start-up
- Available with R-134a refrigerant with options for low GWP R-513A, and HFO R-1234ze
- MiniMod™ available with knockdown construction
- State of the art control system compatible with all building automation systems with optional remote monitoring
- Available with factory header package for easy installation
- Highest modular efficiency with flooded evaporator
- Smallest modular footprint with cleanable shell and tube heat exchanger



Expandable up to 6 modules

## MiniMod™ Product Range

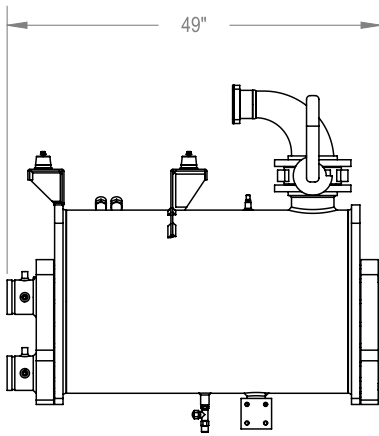
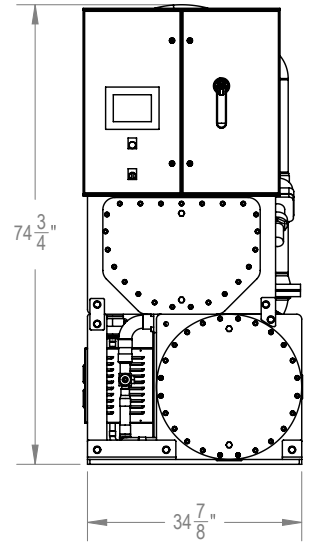
Model	Nom tons	Comp	Volt	# of Module	Header size	Weight lbs
ACW085AT3046	85	TT300	460-575	6	8	4800
ACW110AT3546	110	TT350	460	6	8	4820
ACW125AT4046	125	TT400	460-575	5	8	4835

Modules available with or without header system.

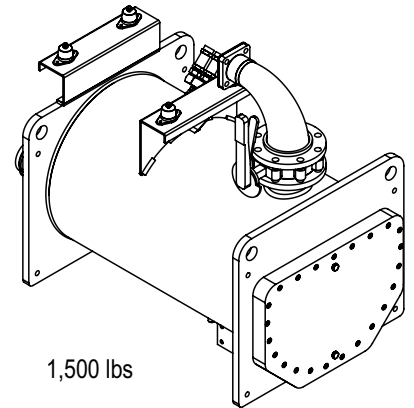
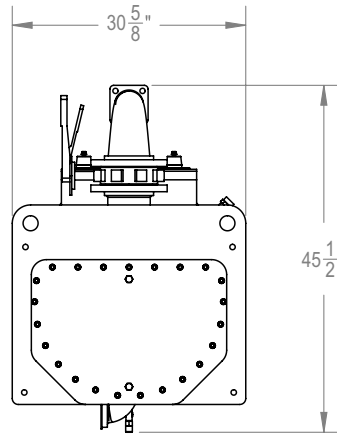
Motorized isolation valves for variable primary systems are optional.

Modules available with knockdown construction as shown below.

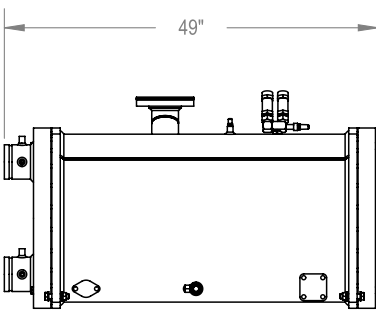
E&OE



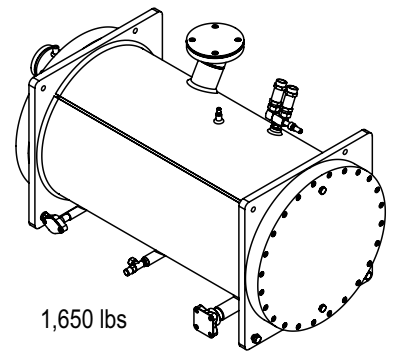
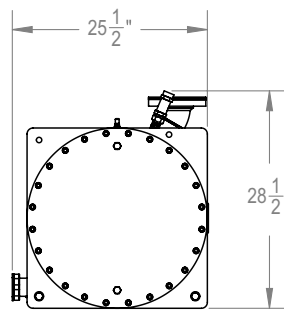
EVAPORATOR



1,500 lbs



CONDENSER



1,650 lbs

Learn more at [trane.com](https://trane.com)



Trane – by Trane Technologies (NYSE: TT), a global climate innovator – creates comfortable, energy efficient indoor environments through a broad portfolio of heating, ventilating and air conditioning systems and controls, services, parts and supply. For more information, please visit [trane.com](https://trane.com) or [tranetechnologies.com](https://tranetechnologies.com).

*All trademarks referenced in this document are the trademarks of their respective owners.*

© 2020 Trane. All Rights Reserved.

ARTC-SLB002-EN  
07/09/2020