

Digital Display Zone Sensor

Figure 1: Digital Display Zone Sensor



The digital display zone sensor has the functionality of the full-featured Trane DDC zone sensor with a liquid crystal display (LCD). The zone sensor is compatible with Trane VAV and VariTrac® controllers. The display can be toggled in the field from zone temperature to zone setpoint and can be viewed in either Fahrenheit or Celsius. A communications jack is provided for Trane portable edit terminal devices. Additionally, the On/Cancel buttons allow the system to run in the occupied mode during nighttime operation. The ability to override to maximum and minimum airflow or position for field balancing is included in the sensor. Please visit trane.com or contact a local Trane representative for more information.

Features

- LCD Readout of Zone Temperature or Setpoint
- Selectable °F or °C Display
- Communication Jack
- Occupied Mode Override
- Maximum and Minimum Override

Table 1: Sensor Specifications

Thermistor Resistance Rating	10k OHM at 77°F (25°C)
Accuracy at 77°F (25°C)	0.4°F (0.2°C)
Setpoint Resistance Rating	500 Ohms at 70°F (21.2°C)
Display Zone Temperature Range	40 to 99°F (10 to 35°C)
Display Setpoint Range	50 to 90°F (10 to 32°C)
Operating Temperature	0 to 120°F (-18 to 49°C)
Storage Temperature	-20 to 130°F (-29 to 54°C)
Humidity Range	5 to 95% non-condensing
Power Supply	24 VAC
Maximum VA load	4 VA
Housing Material	Rigid Vinyl
Dimensions	4.5" x 2.8" x 1.1" (114 mm x 71 mm x 28 mm)

Placement of the Sensor

Choose a mounting location on an interior wall near the return air grille, about five feet above the floor level, where air circulates freely and is of average temperature for the zone.

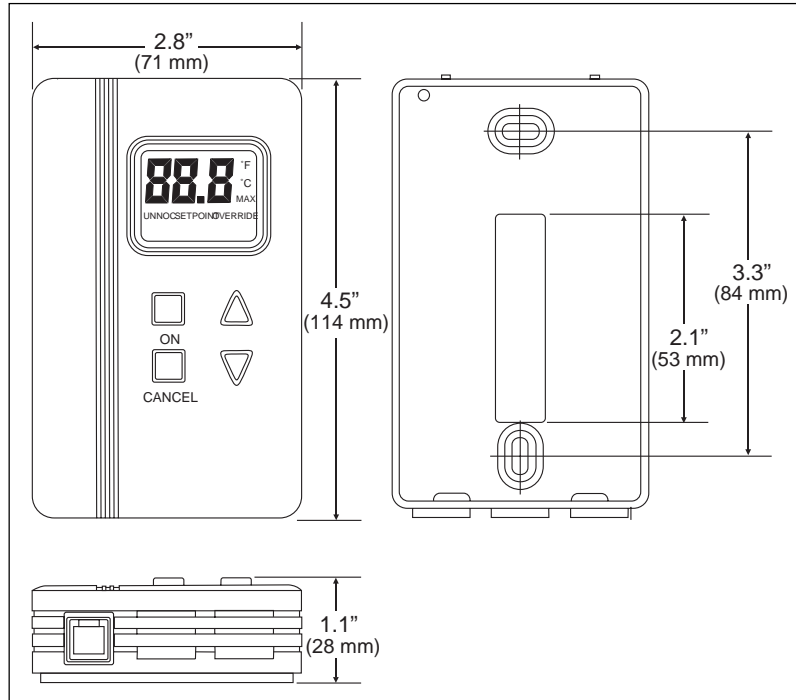
AVOID areas such as:

- Behind doors
- On outside walls or walls facing uncontrolled areas
- In direct sunlight, or sources of radiant heat that could effect temperature measurement
- In line with discharge air from unit being controlled

Table 2: Wiring Terminations at Sensor

TB1-1	24VAC Power Supply
TB1-2	24V Ground
TB2-1	Zone Temperature
TB2-2	Zone Sensor Ground
TB2-3	Zone Setpoint
TB3-1	Communication +
TB3-2	Communication -

Figure 2: Dimensional Data



Trane
An American Standard Company
www.trane.com

For more information contact
 your local district office or
 e-mail us at comfort@trane.com

Literature Order Number	VAV-SLB007-EN
File Number	SB-TD-VAV-000-SLB007-EN-0602
Supersedes	New
Stocking Location	La Crosse

Trane has a policy of continuous product and product data improvement and reserves the right to change design and specifications without notice.