



Tracer Controllers

Tracer MP503 Input/Output Module





Introduction

The Tracer MP503 input/output (I/O) module is a configurable, multi-purpose device used to provide data monitoring and binary control as part of a building automation system (BAS).

Communication between the module and a BAS occurs over a LonTalk communication link.

The Tracer MP503 I/O module is in a compact enclosure. It can monitor a wide variety of sensed conditions and provide equipment start/stop, or other switched states, based on communicated commands from a peer device or higher level BAS.

The Tracer MP503 I/O module includes four universal inputs and four binary outputs.

Universal inputs

Each of the four universal inputs can be configured for use with any of the following:

- Trane 10 k Ω thermistor temperature sensor
- 0–20 mA or 0–10 Vdc sensor
- Binary (dry-contact) device

Binary outputs

Each of the four binary outputs can be controlled independently, as commanded from a peer control device or higher level BAS.

TM [®] The following are trademarks or registered trademarks of their respective companies: LonTalk and LonMark from Echelon Corporation; Rover, Tracer, Tracer Summit, and Tracker from Trane.

Features

Application flexibility

Tracer MP503 I/O modules may be located anywhere in a building, wherever up to four monitoring and/or four binary control points are needed. By connecting the Tracer MP503 to a LonTalk network, input data can be sent from and commands can be sent to the Tracer MP503.

The Tracer MP503 I/O module can be used in a wide variety of monitoring and control applications. Typical applications include monitoring of the following:

- Room, duct, or water temperatures
- Relative humidity in rooms or duct-work
- Pressure sensing, including duct static pressure and hydronic differential pressures
- Status of fan or pump operation

The outputs can be used for on/off functions including:

- Fan control
- Pump control
- Lighting control
- Staging of heating or cooling equipment

Easy installation

The Tracer MP503 is suitable for indoor mounting in a variety of locations. Screw terminals that are clearly labeled ensure that wires are connected quickly and accurately. A compact enclosure design simplifies installation in small spaces.

Configurable inputs

Each of the four universal inputs can be easily configured using the Trane Tracker (BMTK) light-commercial system controller or the Rover service software tool. Each input is individually selectable for input signal type, and the value of the input signal is then transmitted to any other peer device on the LonTalk network or BAS.

Internal 24 Vdc sensor power supply

The Tracer MP503 has a built-in 80 mA, 24 Vdc power supply capable of powering 4–20 mA transmitting sensors. This capability eliminates the need for auxiliary power supplies. Any of the four inputs can be used with 4–20 mA sensors.

12-bit analog-to-digital (A/D) conversion

The four universal inputs of the Tracer MP503 provide very precise sensing of measured variables through the use of high-resolution analog-to-digital converters.

Output status LEDs

Light-emitting diodes (LEDs) located on the Tracer MP503 board indicate the status of each of the four binary outputs. An LED lights up whenever its respective binary output is energized. With a glance at these visual indicators, you can tell if the associated controlled device is on or off.

Output default options

Each of the four binary outputs has a default state provided to ensure fail-safe operation of controlled equipment in the event of a system-level communications loss. The output can be configured to default to off or on, or can maintain its current state.

Wide ambient operating temperature

The Tracer MP503 has an extended operating temperature range from –40°F to 158°F (from –40°C to 70°C). Because of this extended range, the module can be placed in locations not suitable for other building control modules. If the module is used outdoors, it should be placed in a suitable NEMA-4 enclosure (not included), for weather protection.

Interoperability

The Tracer MP503 I/O module communicates using the LonTalk FTT-10A communication protocol. The Trane implementation of this protocol is also referred to as Comm5. Comm5 allows the controllers to operate in peer-to-peer configuration and to communicate with other compatible building control systems. The module supports LonMark standard network variable types (SNVTs), allowing the module to be used with the Trane Tracer Summit and Tracker (BMTK) building control systems, as well as other building control systems that support the LonTalk protocol.

Dimensions

The Tracer MP503 dimensions for the plastic cover model are shown in Figure 1. Dimensions for the metal-cover model are shown in Figure 2.

Figure 1: racer MP503 plastic-cover model dimensions

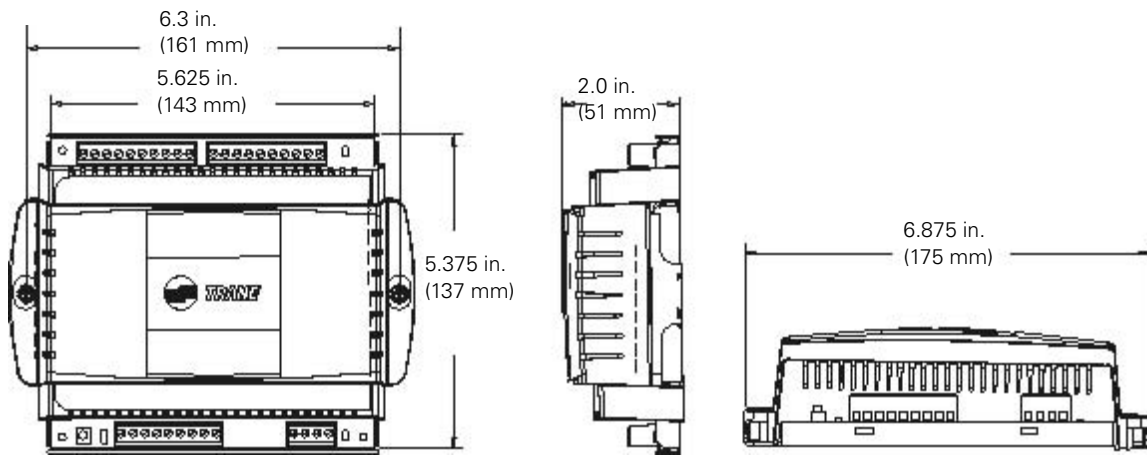
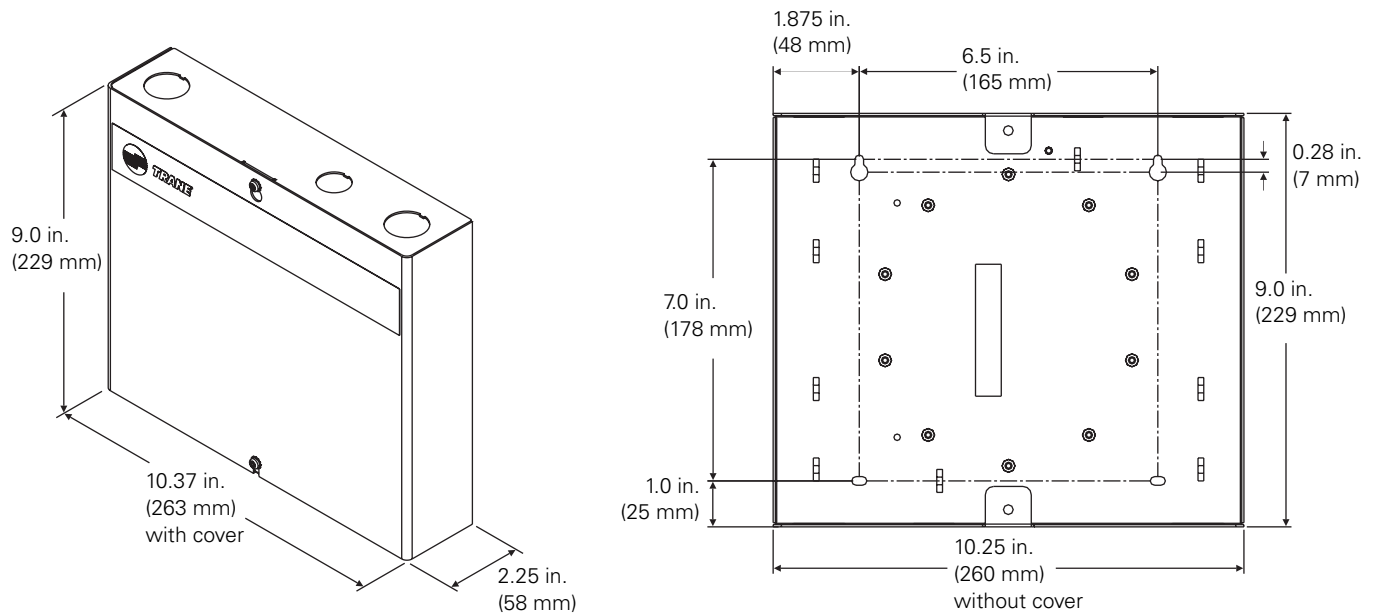


Figure 2: MP503 metal-cover model dimensions

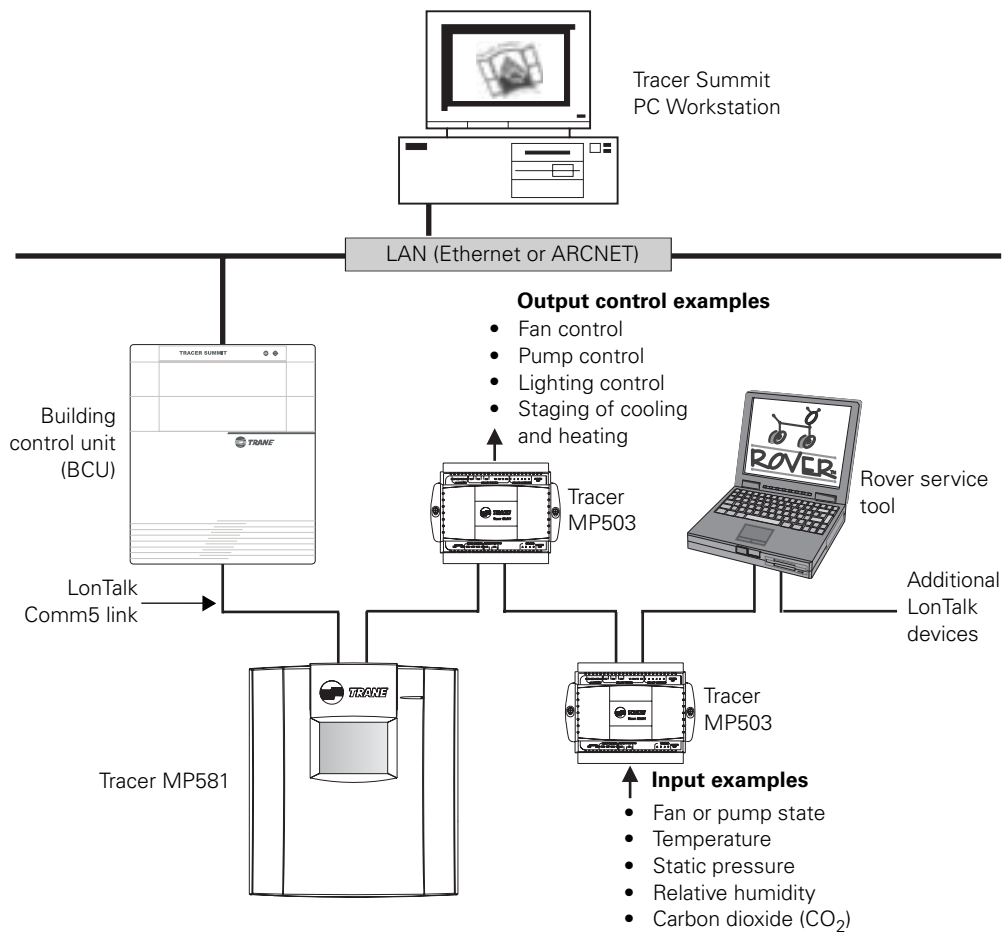


Network architecture

The Tracer MP503 can operate on a Tracer Summit building automation system (see Figure 3), a Tracker (BMTK) system, or as part of a peer-to-peer network.

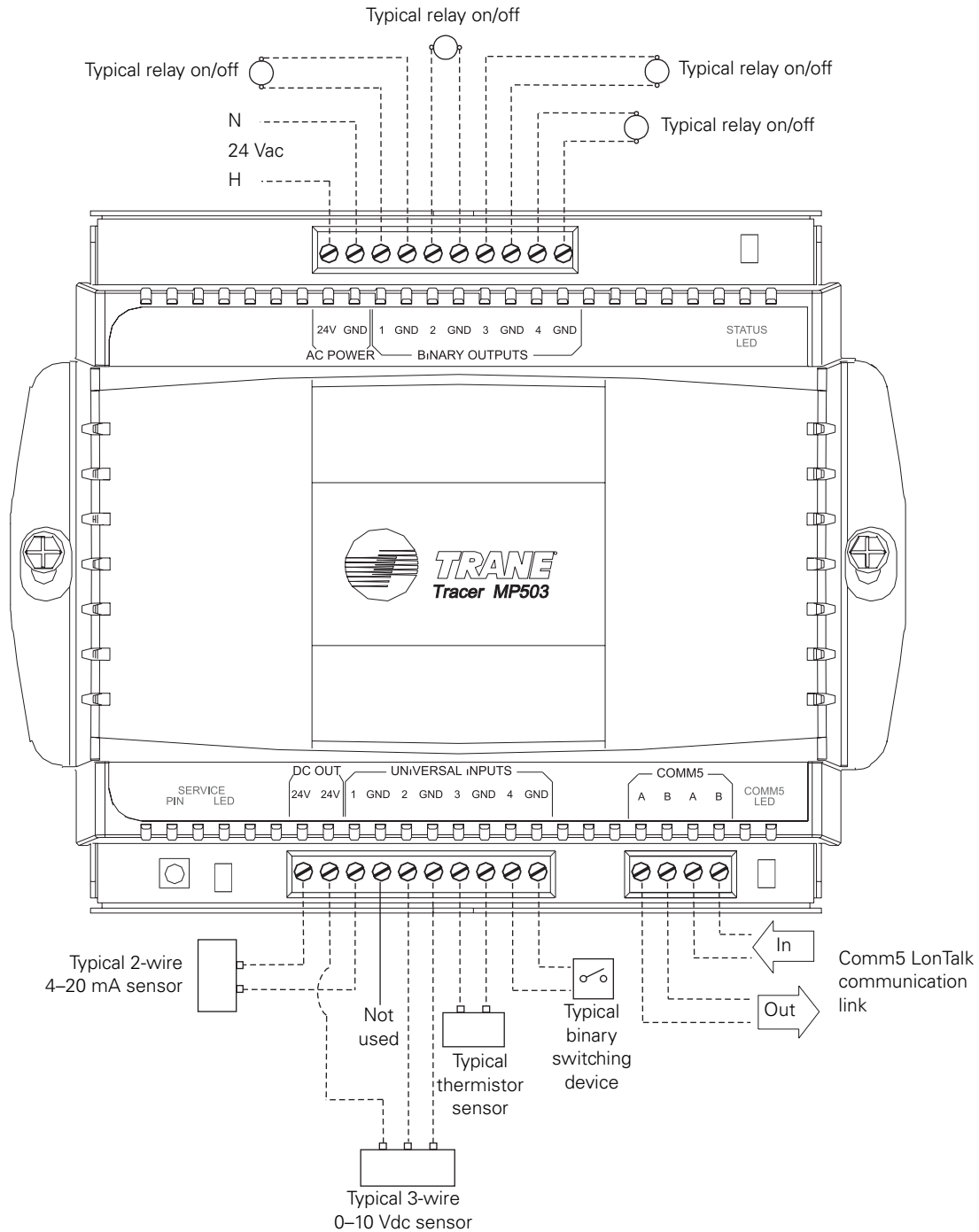
The Tracer MP503 can be configured using the Rover service tool for Tracer controllers or other PC-based service tools compliant with the EIA/CEA-860 standard. This tool can be connected at any accessible location on the LonTalk Comm5 communication link

Figure 3: Tracer MP503 I/O modules as part of a building automation system



Wiring diagram

Figure 4: Tracer MP503 I/O module general wiring diagram



Specifications

Power

Supply: 20–30 Vac (24 Vac nominal) at 50/60 Hz

Consumption: 10 VA plus 12 VA (maximum) per binary output

Dimensions

Plastic-cover model dimensions

(See Figure 1 on page 4)

Height: 5.375 in. (137 mm)

Width: 6.875 in. (175 mm)

Depth: 2.0 in. (51 mm)

Metal-cover model dimensions

(see Figure 2 on page 4)

Height: 9.0 in. (25 mm)

Width: 10.37 in. (263 mm)

Depth: 2.25 in. (58 mm)

Operating environment

Temperature: from –40°F to 158°F (from –40°C to 70°C)

Relative humidity: 5–95% non-condensing

Storage environment

Temperature: from –40°F to 185°F (from –40°C to 85°C)

Relative humidity: 5–95% non-condensing

Analog to digital conversion

12-bit resolution

Power supply for inputs

24 Vdc, 80 mA

Outputs

24 Vac powered relays (12 VA maximum)

Agency listings/compliance

CE—Immunity:

EMC Directive 89/336/EEC

EN 50090-2-2:1996

EN 50082-1:1997

EN 50082-2:1995

EN 61326-1:1997

CE—Emissions:

EN 50090-2-2:1996 (CISPR 22) Class B

EN 50081-1:1992 (CISPR 22) Class B

EN 55022:1998 (CISPR 22) Class B

EN 61326-1:1997 (CISPR 11) Class B

UL and C-UL listed:

Energy Management Equipment—
PAZX (UL 916)

UL 94-5V (UL flammability rating for plenum use)

FCC Part 15, Subpart B, Class B



TRANE®

The Trane Company
An American Standard Company
www.trane.com

For more information contact
your local district office or
e-mail us at comfort@trane.com



Literature Order Number	BAS-PRC009-EN
File Number	PLES-BAS-000-PRC009-0105
Supersedes	September 2001
Stocking Location	La Crosse

Since The Trane Company has a policy of continuous product and product data improvement, it reserves the right to change design and specifications without notice.