



Engineering Bulletin

Trane Rental Services

I-Line Panels



⚠ SAFETY WARNING

Only qualified personnel should install and service the equipment. The installation, starting up, and servicing of heating, ventilating, and air-conditioning equipment can be hazardous and requires specific knowledge and training. Improperly installed, adjusted or altered equipment by an unqualified person could result in death or serious injury. When working on the equipment, observe all precautions in the literature and on the tags, stickers, and labels that are attached to the equipment.



Introduction

Read this manual thoroughly before operating or servicing this unit.

Warnings, Cautions, and Notices

Safety advisories appear throughout this manual as required. Your personal safety and the proper operation of this machine depend upon the strict observance of these precautions.

The three types of advisories are defined as follows:

- ⚠ WARNING** Indicates a potentially hazardous situation which, if not avoided, could result in death or serious injury.
- ⚠ CAUTION** Indicates a potentially hazardous situation which, if not avoided, could result in minor or moderate injury. It could also be used to alert against unsafe practices.
- NOTICE** Indicates a situation that could result in equipment or property-damage only accidents.

Important Environmental Concerns

Scientific research has shown that certain man-made chemicals can affect the earth's naturally occurring stratospheric ozone layer when released to the atmosphere. In particular, several of the identified chemicals that may affect the ozone layer are refrigerants that contain Chlorine, Fluorine and Carbon (CFCs) and those containing Hydrogen, Chlorine, Fluorine and Carbon (HCFCs). Not all refrigerants containing these compounds have the same potential impact to the environment. Trane advocates the responsible handling of all refrigerants.

Important Responsible Refrigerant Practices

Trane believes that responsible refrigerant practices are important to the environment, our customers, and the air conditioning industry. All technicians who handle refrigerants must be certified according to local rules. For the USA, the Federal Clean Air Act (Section 608) sets forth the requirements for handling, reclaiming, recovering and recycling of certain refrigerants and the equipment that is used in these service procedures. In addition, some states or municipalities may have additional requirements that must also be adhered to for responsible management of refrigerants. Know the applicable laws and follow them.

⚠ WARNING

Proper Field Wiring and Grounding Required!

Failure to follow code could result in death or serious injury. All field wiring **MUST** be performed by qualified personnel. Improperly installed and grounded field wiring poses **FIRE** and **ELECTROCUTION** hazards. To avoid these hazards, you **MUST** follow requirements for field wiring installation and grounding as described in **NEC** and your local/state/national electrical codes.

⚠ WARNING

Personal Protective Equipment (PPE) Required!

Failure to wear proper PPE for the job being undertaken could result in death or serious injury. Technicians, in order to protect themselves from potential electrical, mechanical, and chemical hazards, **MUST** follow precautions in this manual and on the tags, stickers, and labels, as well as the instructions below:

- Before installing/servicing this unit, technicians **MUST** put on all PPE required for the work being undertaken (Examples; cut resistant gloves/sleeves, butyl gloves, safety glasses, hard hat/bump cap, fall protection, electrical PPE and arc flash clothing). **ALWAYS** refer to appropriate Safety Data Sheets (SDS) and OSHA guidelines for proper PPE.
- When working with or around hazardous chemicals, **ALWAYS** refer to the appropriate SDS and OSHA/GHS (Global Harmonized System of Classification and Labeling of Chemicals) guidelines for information on allowable personal exposure levels, proper respiratory protection and handling instructions.
- If there is a risk of energized electrical contact, arc, or flash, technicians **MUST** put on all PPE in accordance with OSHA, NFPA 70E, or other country-specific requirements for arc flash protection, **PRIOR** to servicing the unit. **NEVER PERFORM ANY SWITCHING, DISCONNECTING, OR VOLTAGE TESTING WITHOUT PROPER ELECTRICAL PPE AND ARC FLASH CLOTHING. ENSURE ELECTRICAL METERS AND EQUIPMENT ARE PROPERLY RATED FOR INTENDED VOLTAGE.**

⚠ WARNING**Follow EHS Policies!**

Failure to follow instructions below could result in death or serious injury.

- All Trane personnel must follow the company's Environmental, Health and Safety (EHS) policies when performing work such as hot work, electrical, fall protection, lockout/tagout, refrigerant handling, etc. Where local regulations are more stringent than these policies, those regulations supersede these policies.
- Non-Trane personnel should always follow local regulations.

Copyright

This document and the information in it are the property of Trane, and may not be used or reproduced in whole or in part without written permission. Trane reserves the right to revise this publication at any time, and to make changes to its content without obligation to notify any person of such revision or change.

Trademarks

All trademarks referenced in this document are the trademarks of their respective owners.

Revision History

Figure title updated for Figure 5 and 6.



Table of Contents

Horizontal I-Line Panel 800A	5
RSIP800S0	5
General Information	5
Features	5
Vertical I-Line Panel 1200A	7
RSIP1200S0	7
General Information	7
Features	7
Vertical I-Line Panel 3000A	12
RSIP3000S0	12
General Information	12
Features	12
Breaker List	15



Horizontal I-Line Panel 800A

RSIP800S0

General Information

- I-line interior rated for 600 V
- UL50, 1640 listed
- C(ETL) listed
- NEMA 3R
- Largest breaker size - 800 A¹

Features

- Corrosion-resistant aluminum construction
- Adaptable I-Line due to changeable gland plates
- Adaptable heavy-duty cage with forklift pockets
- Metal casters with industrial grade floor locks²

Table 1. Input

Label	Value
Panel mount	Two sets of 16 series cam-type connection
Hardwire access	Bottom conduit trap door
Wire size	Maximum 750 MCM (four per phase)

Table 2. Output

Label	Value
Hardwire access	Bottom conduit trap door

Table 3. Dimensions and weights

Label	Value
Length	5 ft – 2 in.
Width	2 ft – 1 in.
Height	3 ft – 7 in.
Weight	500 lb

Note: Actual weight and physical dimensions may vary.

¹ Panel cannot accommodate main breaker switch.

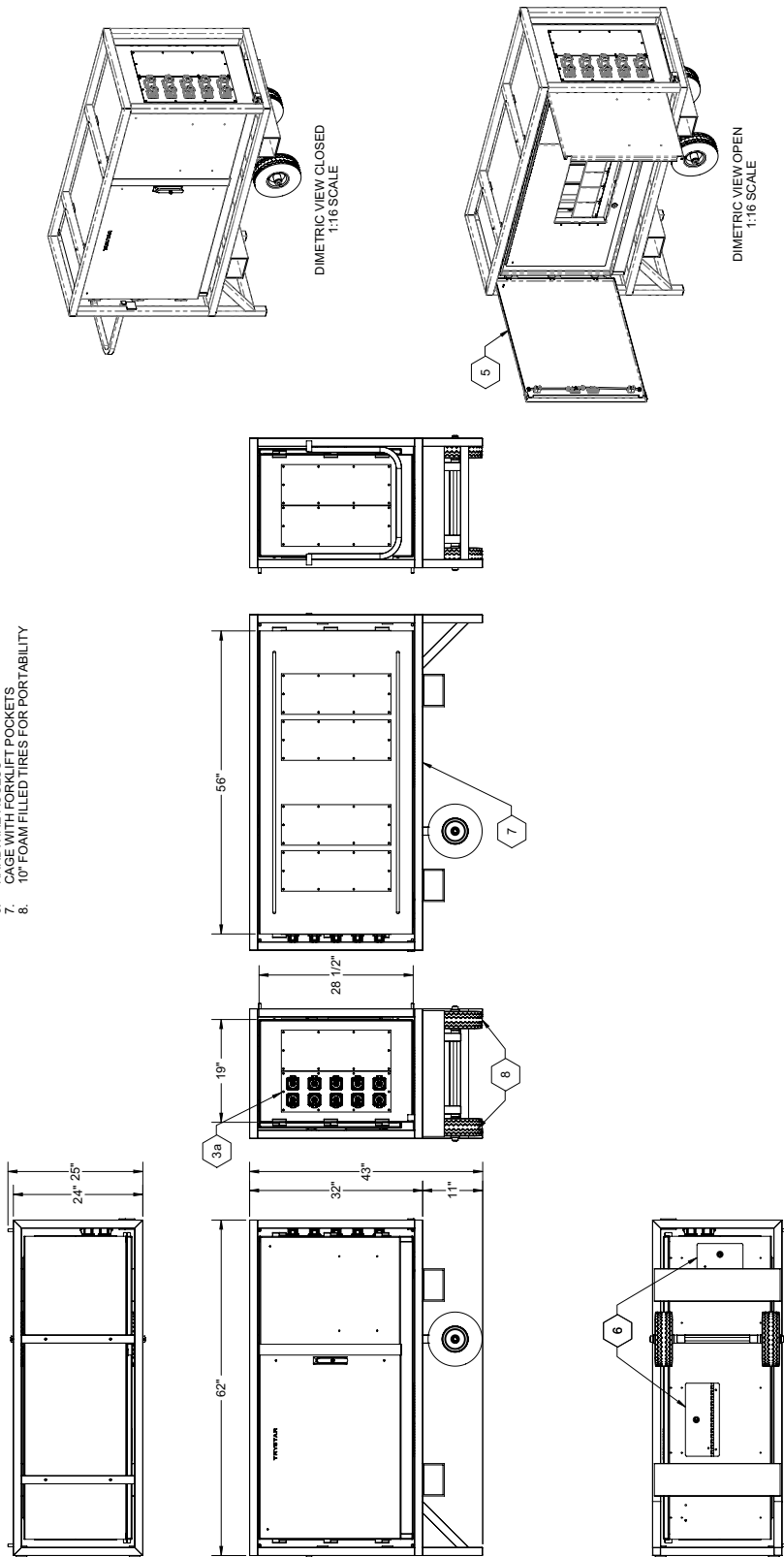
² Not applicable to all panels.



Horizontal I-Line Panel 800A

Figure 1. RSIP800A I-Line panel

- NOTES:
1. NEMA 3R CONSTRUCTION
 2. 800A 600V HORIZONTAL I-LINE PANEL
 3. INPUT:
 - a. 2X 16 SERIES CAM-TYPE CONNECTION PANELMOUNT SETS WITH FLIP OVER (BK, RD, BE, WT, GN)
 4. OUTPUT: NONE
 5. CUSTOMIZABLE REMOVABLE GLANDS
 6. PADLOCKABLE DOOR
 7. HARDWARE ACCESS
 8. CAGE WITH FORKLIFT POCKETS
 9. 10" FOAM FILLED TIRES FOR PORTABILITY





Vertical I-Line Panel 1200A

RSIP1200S0

General Information

- I-line interior rated for 600 V
- UL50 listed
- NEMA 3R
- 65 KAIC rating when using 65 KAIC-rated breakers
- Largest breaker size - 800 A¹

Features

- Corrosion-resistant aluminum construction
- Adaptable I-Line due to changeable gland plates
- Adaptable heavy-duty cage with forklift pockets
- Metal casters with industrial grade floor locks²

Table 4. Input

Label	Value
Panel mount	Four sets of 16 series cam-type connection
Hardwire access	Bottom conduit trap door
Wire size	Maximum 750 MCM (four per phase)

Table 5. Output

Label	Value
Hardwire access	Bottom conduit trap door

Table 6. Dimensions and weights

Label	Value
Length	4 ft – 3in.
Width	3 ft – 1 in.
Height	6 ft – 10 in.
Weight	600 lb

Note: Actual weight and physical dimensions may vary.

¹ Panel cannot accommodate main breaker switch.

² Not applicable to all panels.

Vertical I-Line Panel 1200A

Figure 2. RSIP1200A I-Line panel (AA-AL)(AV-BF)

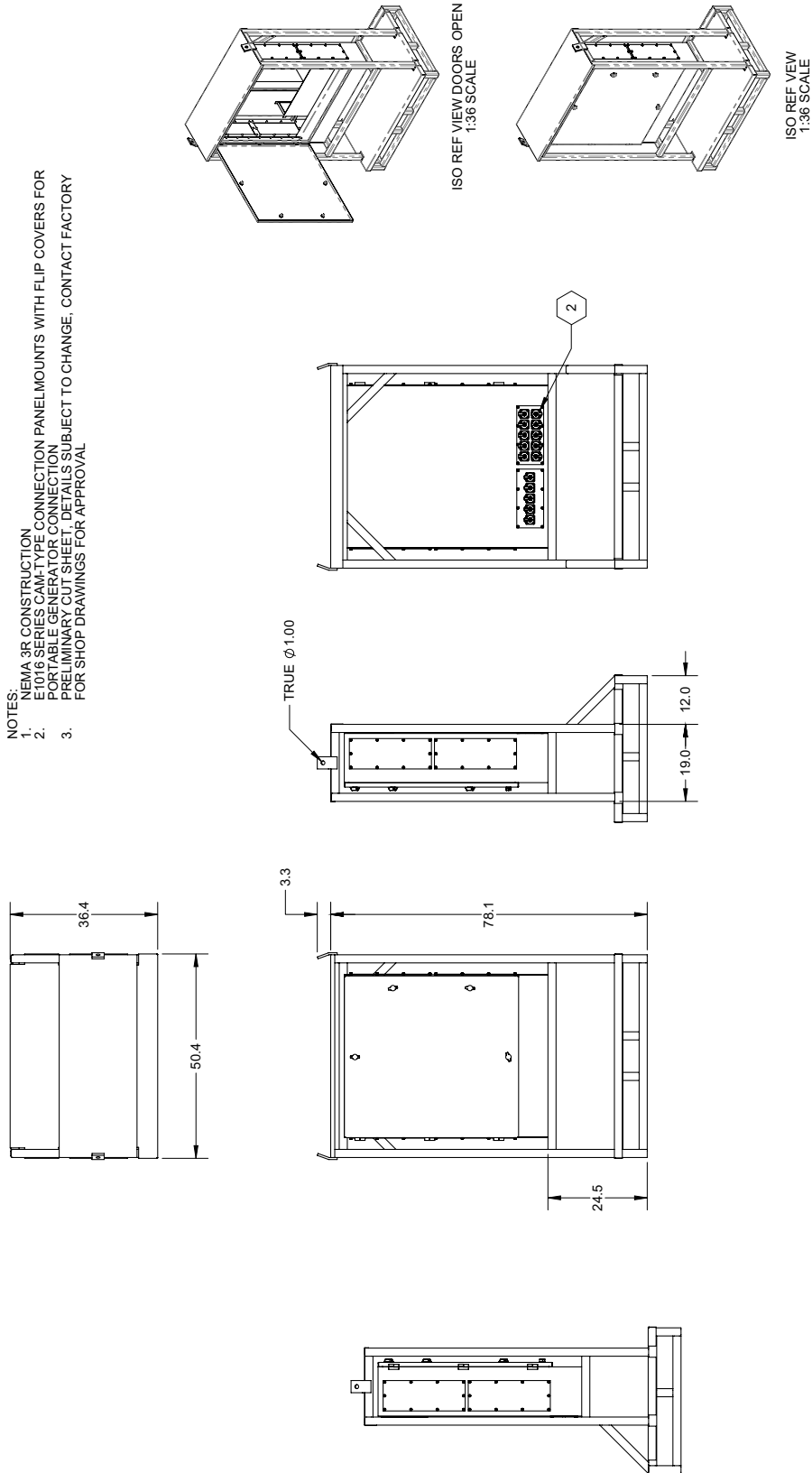
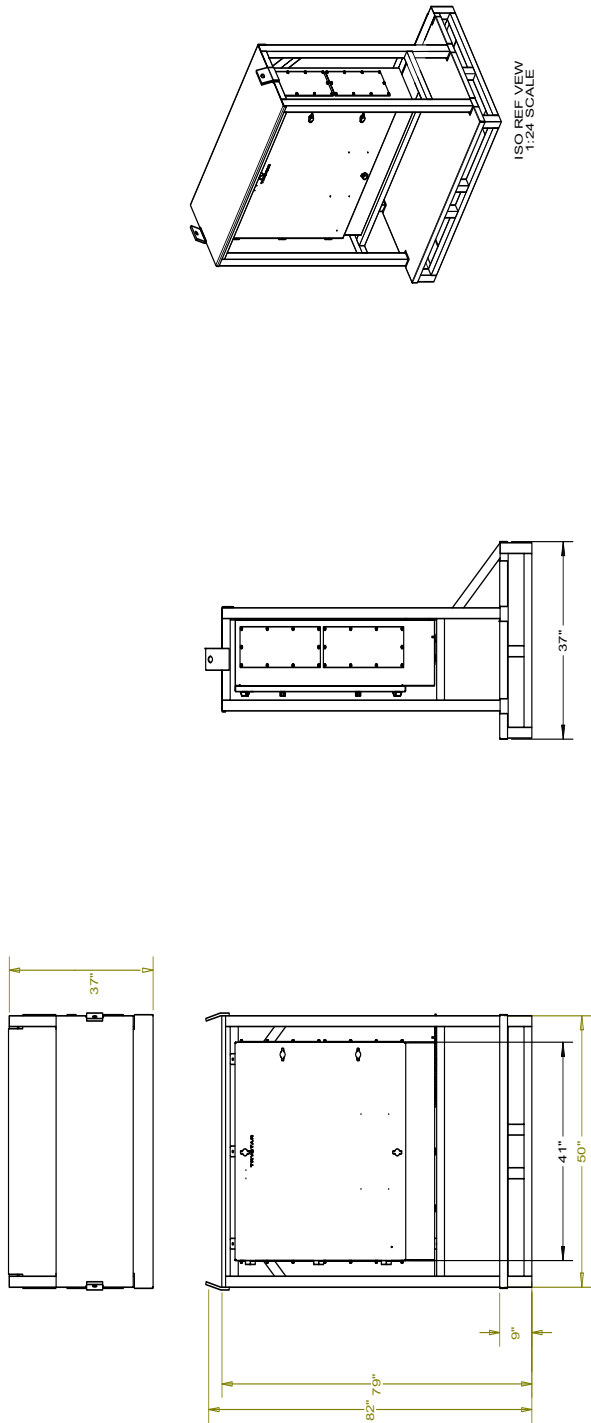


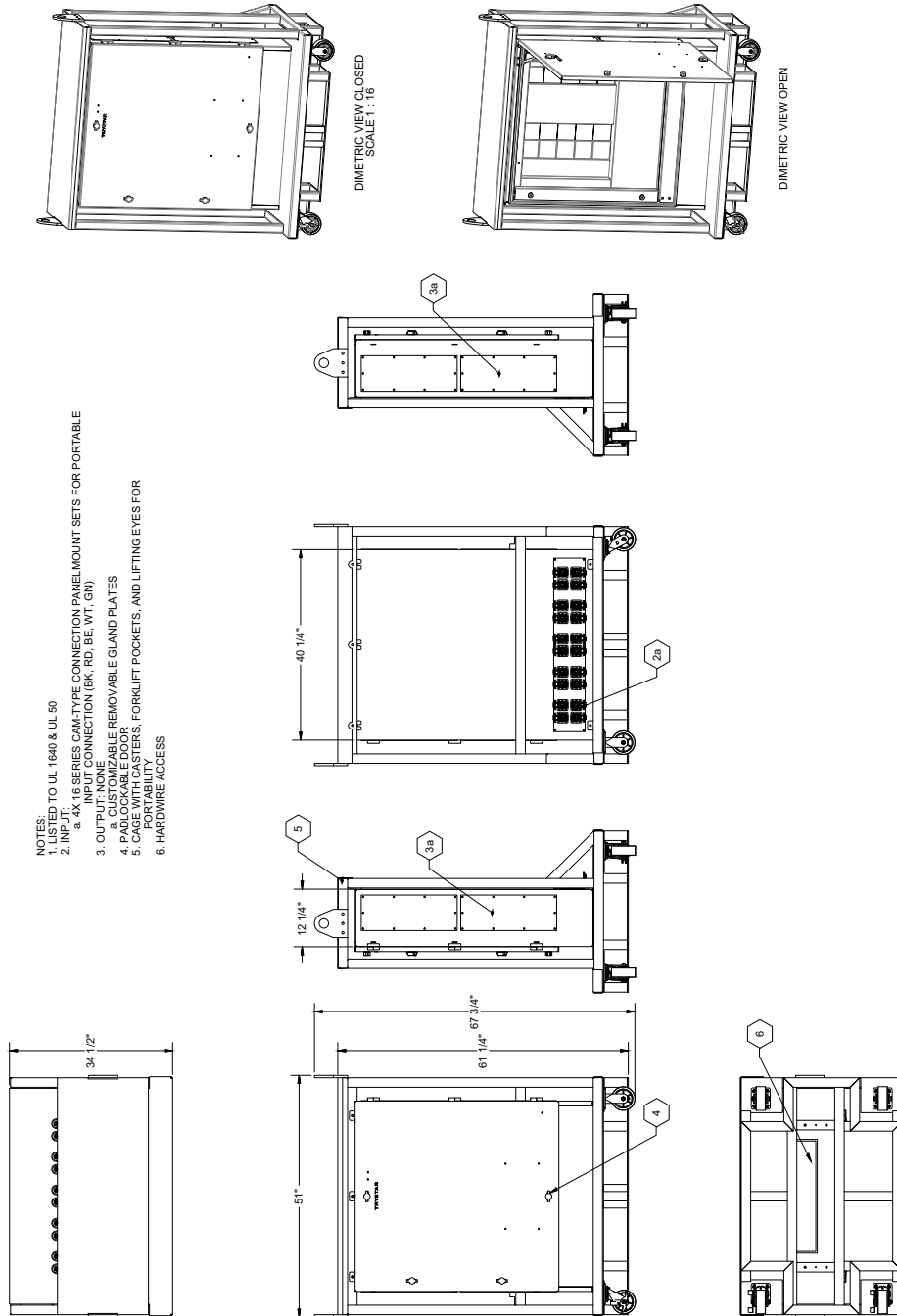
Figure 3. RSIP1200A I-Line panel (AM-AS)(BG-BM)





Vertical I-Line Panel 1200A

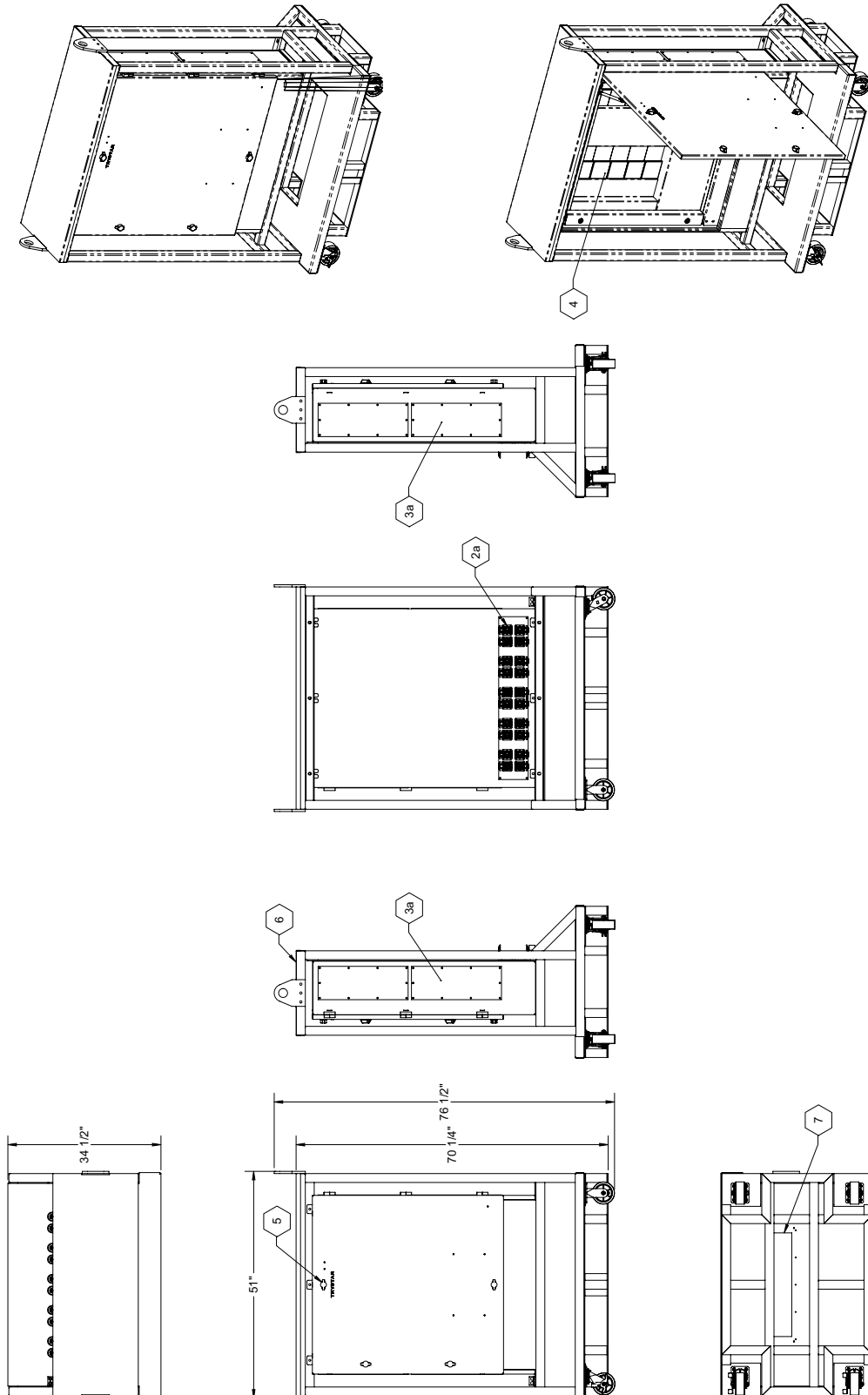
Figure 4. RSIP1200A I-Line panel (BN-BQ)



- NOTES:
1. LISTED TO UL 1840 & UL 50
 2. INPUT: X, 4, 18 SERIES CAM-TYPE CONNECTION PANEL MOUNT SETS FOR PORTABLE INPUT CONNECTION (BK, RD, BE, WT, GN)
 3. OUTPUT: NONE
 4. CUSTOMIZABLE REMOVABLE GLAND PLATES
 5. CASTERS
 6. CASE WITH CASTERS, FORKLIFT POCKETS, AND LIFTING EYES FOR PORTABILITY
 7. HARDWARE ACCESS

Figure 5. RSIP1200A I-Line panel (BR-DE)

- NOTES:
1. LISTED TO UL 1640 & UL 50
 2. INPUT:
 - a. 4X 16 SERIES CAM-TYPE CONNECTION PANELMOUNT SETS WITH FLIP COVERS FOR PORTABLE INPUT CONNECTION (BK, RD, BE, WT, GN)
 3. OUTPUT: NONE
 - a. CUSTOMIZABLE REMOVABLE GLAND PLATES
 4. 2 X 22.5" SECTIONS OF LINEAR BREAKER SPACE ON I-LINE INTERIOR
 5. PADLOCKABLE DOOR
 6. CAGE WITH CASTERS, FORKLIFT POCKETS, AND LIFTING EYES
 7. HARDWARE ACCESS





Vertical I-Line Panel 3000A

RSIP3000S0

General Information

- I-line interior rated for 600 V
- UL50 listed
- NEMA 3R
- 65 KAIC rating when using 65 KAIC-rated breakers
- Largest breaker size -1200 A¹

Features

- Corrosion-resistant aluminum construction
- Adaptable I-Line due to changeable gland plates
- Adaptable heavy-duty cage with lifting eyes and forklift pockets
- Metal casters with industrial grade floor locks²

Table 7. Input

Label	Value
Panel mount	Eight sets of 16 series cam-type connection
Hardwire access	Bottom conduit trap door
Wire size	Maximum 600 MCM (eight per phase)

Table 8. Output

Label	Value
Hardwire access	Bottom conduit trap door

Table 9. Dimensions and weights

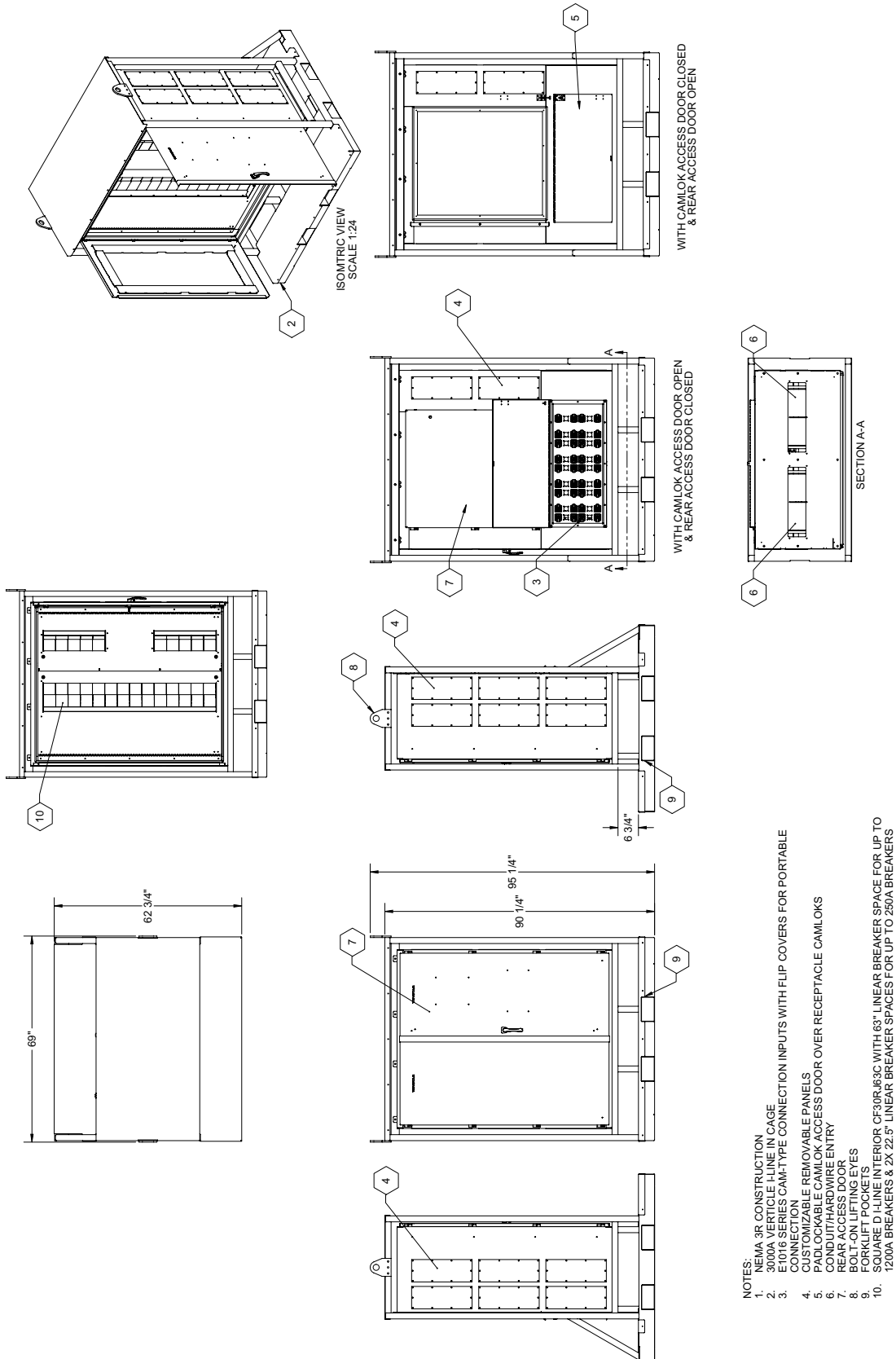
Label	Value
Length	5 ft – 9 in.
Width	5 ft – 3 in.
Height	8 ft – 6 in.
Weight	2000 lb

Note: Actual weight and physical dimensions may vary.

¹ Panel cannot accommodate main breaker switch.

² Not applicable to all panels.

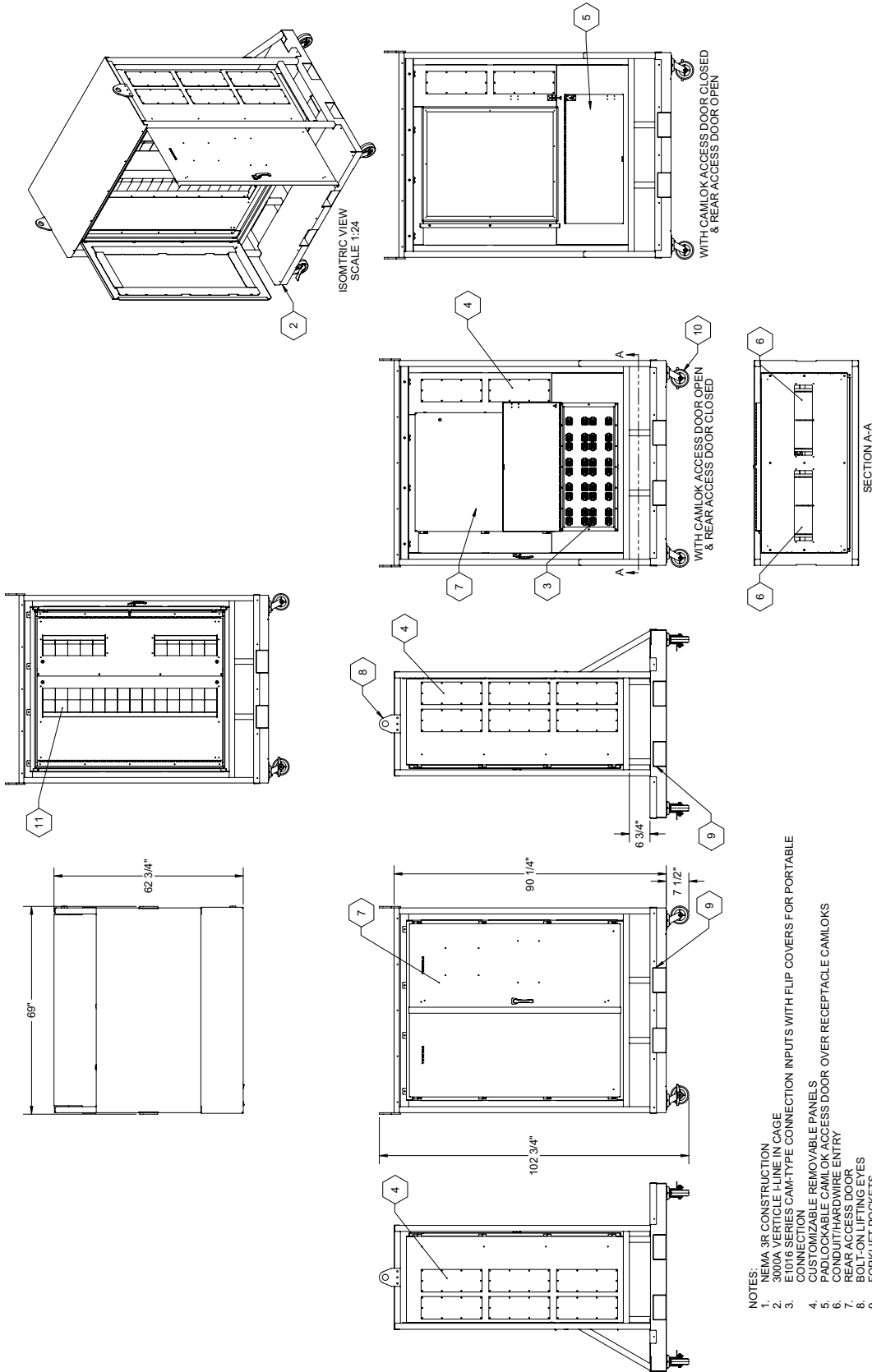
Figure 6. RSIP3000A I-Line panel (AA-AD)





Vertical I-Line Panel 3000A

Figure 7. RSIP3000A I-Line panel (AC-AD)



- NOTES:
1. NEMA 3R CONSTRUCTION
 2. 3000A VERTICAL I-LINE IN CAGE
 3. E1016 SERIES CAM-TYPE CONNECTION INPUTS WITH FLIP COVERS FOR PORTABLE CONNECTION
 4. CUSTOMIZABLE REMOVABLE PANELS
 5. PORTABLE CAMLOK ACCESS DOOR OVER RECEPTACLE CAMLOKS
 6. CONDUIT/HARDWARE ENTRY
 7. REAR ACCESS DOOR
 8. BOLT-ON LIFTING EYES
 9. FORKLIFT POCKETS
 10. CASTERS WITH INDUSTRIAL GRADE FLOOR LOCKS
 11. SQUARE D I-LINE INTERIOR CF30R463C WITH 63" LINEAR BREAKER SPACE FOR UP TO 1200A BREAKERS & 2X 22.5" LINEAR BREAKER SPACES FOR UP TO 250A BREAKERS



Breaker List

Trane Rental Services offer a variety of breaker types and sizes to be used in a wide range of applications. For more information, please contact Trane Rental Services.

Table 10. Trane rental services breakers

Type	Nominal size	Adjustable range
Adjustable	150	50, 60, 70, 80, 90, 100, 110, 125, 150
	250	70, 80, 100, 125, 150, 175, 200, 225, 250
	400	125, 150, 175, 200, 225, 250, 300, 350, 400
	600	200, 225, 250, 300, 350, 400, 450, 500, 600
	800	250, 300, 350, 400, 450, 500, 600, 700, 800
	1200	300, 350, 400, 450, 500, 600, 700, 800, 1000, 1200
Non-adjustable	20, 30, 40, 50, 60, 80, 100, 125, 150, 200, 225, 250, 400, 600, 800	

Trane - by Trane Technologies (NYSE: TT), a global climate innovator - creates comfortable, energy efficient indoor environments for commercial and residential applications. For more information, please visit trane.com or tranetechnologies.com.

Trane has a policy of continuous product and product data improvement and reserves the right to change design and specifications without notice. We are committed to using environmentally conscious print practices.