

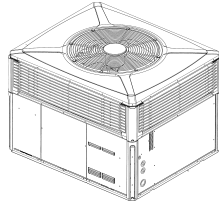


# Locating The Serial Numbers On Your New Products

Contact your installing dealer or  
print this document for help.

# Which New Products Do You Have?

- Packaged Unit (All in One)



- Thermostat



- Air Conditioner or Heat Pump



- Air Cleaner



- Furnace



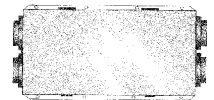
- Humidifier



- Indoor Coil



- Energy Recovery Ventilator

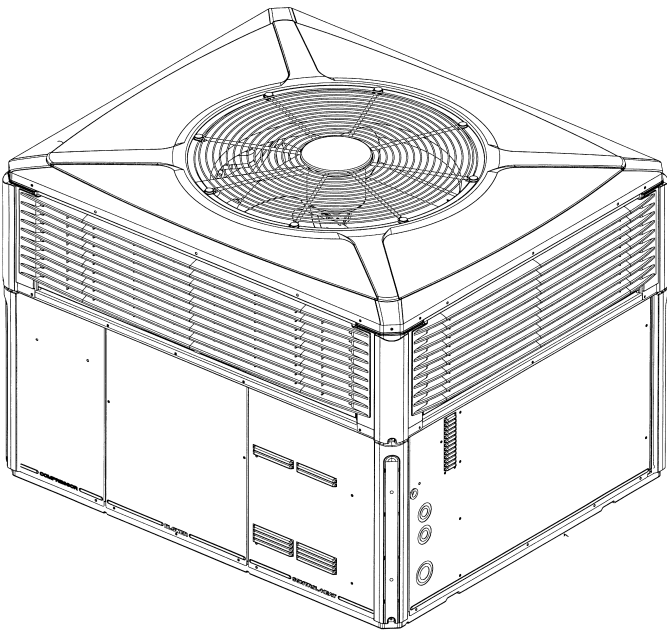


- Air Handler



# Packaged Unit

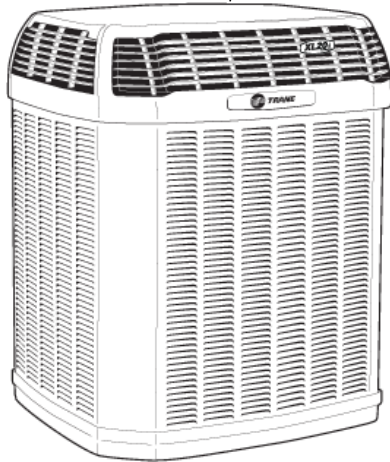
- The serial number label is located on the rear panel of the outdoor unit.



TRANE						
Fort Smith, AR. 72903						
MODEL NO.	FORCED AIR FURNACE WITH COOLING UNIT, FOR OUTDOOR INSTALLATION ONLY.					
<b>SERIAL NO.</b>						
DATE OF MFG.						
ELECTRICAL RATING						
MIN/MAX OPER. VOLT	/					
MAX HACR CKT BRK	INSTALL AND MAINTAIN THIS UNIT AS DESCRIBED IN THE MANUALS PROVIDED.					
MAX CKT BRK(CANADIAN INST)						
CONTROL CKT VOLT						
MIN CKT AMP						
MAX FUSE SIZE						
MIN TEST PRESSURE: HIGH	LOW	PSIG				
BR. CKT. SEL. CUR.						
COMPR	QTY	PH	HZ	RLA	LRA	ANSI Z21.47b-USA 2.3b-2008 CENTRAL FURNACE
A						
B						
INTERNALLY PROTECTED COMPRESSOR						
FAN	QTY	PH	HZ	FLA	HP	QTY REFRIG CKTS
COND						FACTORY CHARGED:
EVAP						LBS - OZ
EXHAUST						CPR "A" R22
						CPR "B" R22
HEATING INPUT BTUH						
HEATING OUTPUT BTUH						
MIN. INPUT BTUH						
ORIFICE DRILL SIZE						
ALTITUDE SPECIFICATIONS 0-2000 FT						
MAX EXT S.P. INCHES W.C.						
TEMP RISE DEG F						
DESIGNED MAX OUTLET AIR TEMP. DEG F FOR GAS						
MAX GAS SUPPLY PRESS IN. W.C. MIN AMBIENT TEMP						
MIN GAS SUPPLY PRESS IN. W.C.						
MANIFOLD PRESS INCHES W.C.						
WHEN UNIT IS CONVERTED TO DOWNFLOW, METAL OR CLASS I PLENUM AND AIR OUTLET DUCT MUST BE USED						
CLEARANCES TO COMBUSTIBLE MATERIAL (INCHES): TOP						
L. SIDE R. SIDE FRONT BACK FOR INSTALLATION ON COMBUSTIBLE FLOORING OR CLASS A, B, C ROOF COVERING MATERIAL.						
Manufactured under one or more of the following U.S. Patents						
ASSEMBLED IN USA D932287P01						
MEA B						
			LISTED			
D672473P02			LISTED MODELS			

# Air Conditioner or Heat Pump

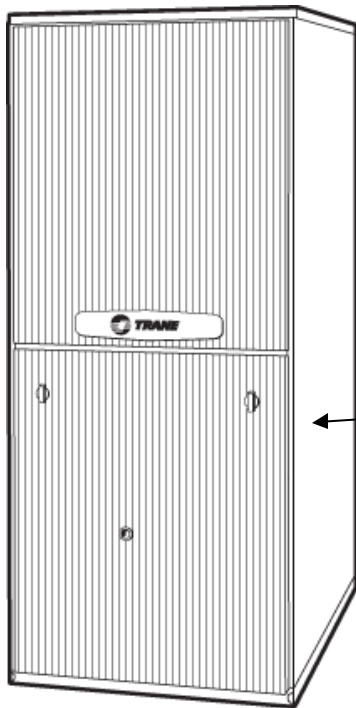
- The serial number label is located on the top, right-rear of the outdoor unit.



MFR DATE	
MOD. NO.	
<b>SERIAL NO.</b>	
MINIMUM CIRCUIT CAPACITY	
OVERCURRENT PROTECTIVE DEVICE	
MIN FUSE / BREAKER (HACR)	
MAX FUSE / BREAKER (HACR)	
	LBS. OZ. OR kg(SI)
AMERICAN STANDARD INC. AND AMERICAN STANDARD TYLER, TX 75707 ASSEMBLED IN USA	
COMPR. MOT.	RLA V LRA
O.D. MOT.	FLA V HP
M.E.A. NO.	F. ID.
ENERGY STAR	
ARI Standard 210/240 U CERTIFICATION APPLIES ONLY WHEN THE COMPLETE SYSTEM IS LISTED WITH ARI	

# Furnace

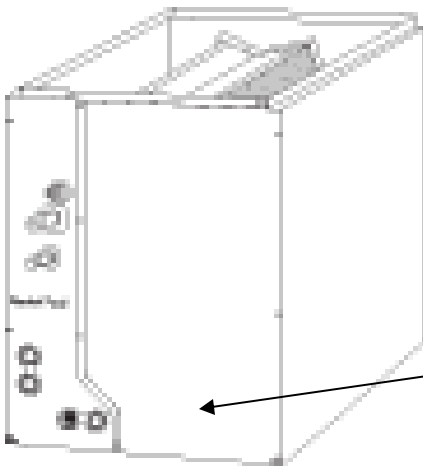
- The serial number label is located on the right or left panel of the furnace. (closet, attic, basement, garage)




MODEL NUMBER:	NUMERO DE MODELE:
<b>SERIAL NUMBER:</b>	NUMERO DE SERIE:
DATE OF MANUFACTURE:	MM/YY

# Indoor Coil

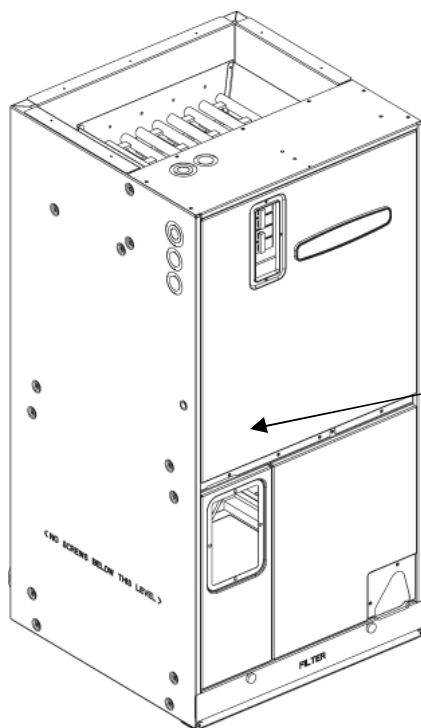
- The serial number label is located on the front panel of the indoor coil unit. (with the furnace)



(A)			
			Assembled in USA
MODEL NO.	SERIAL NO.		
SUITABLE FOR MOBILE HOME USE			
REFRIGERANT	MFG DATE	DESIGN PSI	
			B340527P01

# Air Handler

- The serial number label is located on the front panel of the indoor unit. (closet, attic, basement, garage)



Trane U.S. Inc.  
 Manufacturer of Trane & American Standard HVAC  
 Tyler, TX 75707

Assembled in USA

MODEL NO.  SERIAL NO.  MOTOR H.P. F.L. AMPS  VOLTS  PH  40 Hz

FIELD VALUE - REFRIGERANT

ELECTRIC HEATER - 208 OR 240V, 60Hz, 1PH OR 3 PH: FACTORY INSTALLED  MAY BE FIELD INSTALLED

ALTERNATIVE TXV KIT INSTALLED: R22  R410A  MFR. DATE: XXXX

REFRIGERANT 22 OR 410A ONLY. DESIGN PRESSURE 480 PSI; UNLESS INDICATED "NA" ANY ONE OF THE FOLLOWING HEATERS MAY BE INSTALLED IN THIS UNIT; INSTALLER MUST MARK ONE APPROPRIATE BLOCK IN COLUMN A.

FLUIDE FRIGORIGÈNE 22 OU 410A UNIQUEMENT. PRESSION NOMINALE DE 480 LB/PO2. A MOINS D'INDICATION «<NA>> L'UN DES GÉNÉRATEURS DE CHALEUR SUIVANTS PEUVENT ÊTRE INSTALLÉS DANS CET APPAREIL. L'INSTALLATEUR EST TENU DE MARQUER UN BLOC APPROPRIÉ DANS LA COLONNE A.

A	TRANE HEATER MODEL	SUPPLY VOLTS	PHASE	KW	HEATER CIRCUIT AMPS	MIN BRANCH AMPACITY	MAXIMUM OVERCURRENT DEVICE	MINIMUM HEATING BLOWER SPEED	WITHOUT HEAT PUMP	WITH HEAT PUMP

Note: Heater model number may have additional suffix digits "###" = 000, BRK, PDC

MINIMUM INSTALLATION CLEARANCE TO COMBUSTIBLE MATERIALS WHEN ELECTRIC HEATERS ARE INSTALLED: UNIT CABINET-0", PLENUM-1", AND FIRST 3' OF OUTLET DUCT-1".

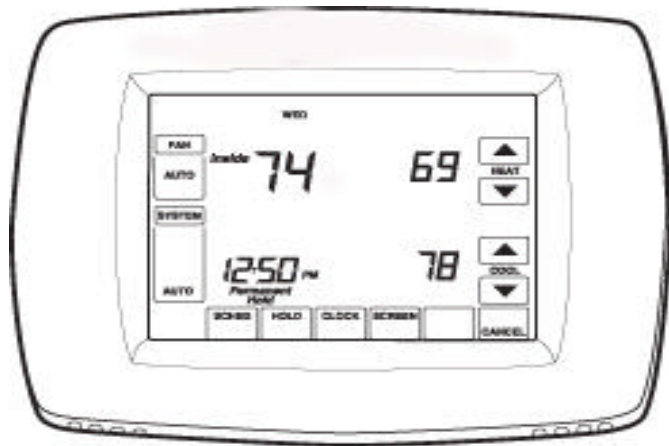
MAXIMUM OUTLET AIR TEMPERATURE WITH ELECTRIC HEATERS 200 DEGREES F. SUITABLE FOR MOBILE HOME USE, MOTOR INTERNALLY PROTECTED. UNIT TESTED AT 0.3 IN. W.C. EXTERNAL STATIC PRESSURE.

May be manufactured under one or more of the following U.S. patents: 5,743,100; 6,282,910; 6,647,203; 7,014,422; 7,024,283; 7,100,478; 7,144,219; 7,381,028  
 Patented to Florida Building Code 13 - 610.2.A.2.1, this unit meets the criteria for a factory sealed air handler.

COMFORT - R TM enhanced airflow comfort setting.  
 VORTICA TM airflow system, AIR-TITE cabinet construction.

# Thermostat

- The model number label is located behind the front cover. (Remove from wall plate)



Assembled in Mexico

**TCONT803A832DAA**

0750

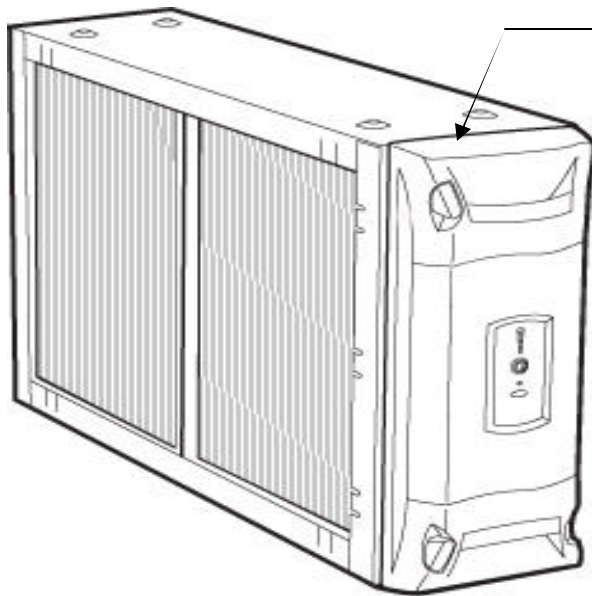
TH832U1030

US Patent #: 6595430, D509151,  
Additional patents pending



# Air Cleaner

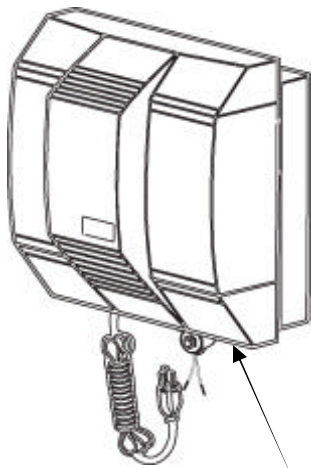
- The serial number label is located on the back of the door. (Next to furnace or air handler)



Trane U.S. Inc. Manufacturer of Trane & American Standard HVAC Tyler, TX 75707	ELECTROSTATIC AIR CLEANER
MODEL NO.	cULus LISTED
SERIAL NO.	
MFG. DATE	ELECTROSTATIC AIR CLEANER 29VD
24 VAC 0.8 AMPS	
D802464	MANUFACTURED UNDER ONE OR MORE OF THE FOLLOWING U.S. PATENTS: 6,749,669, 7,332,019, 7,351,274 AND D540,930 EPA Est.No.084781-GA-001

# Humidifier

- The serial number label is located on the bottom of the unit. (near furnace or air handler)

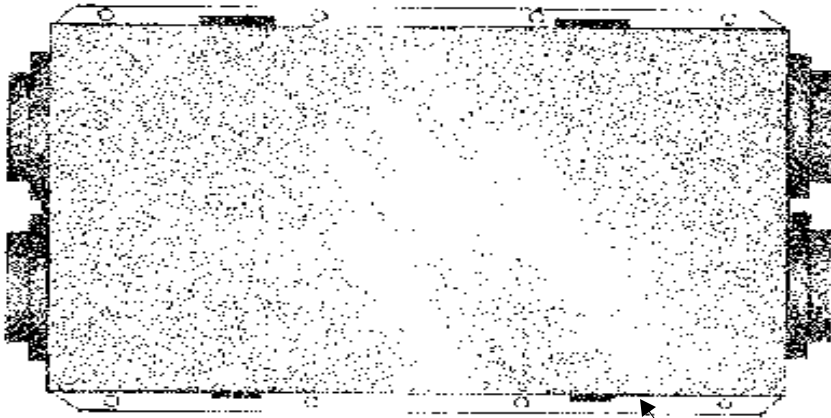




Model Number  
**THUMD500APA00BA**

Serial Number

# Energy Recovery Ventilator

- The serial number label is located on the bottom of the unit. (near external wall in attic, basement, garage)



	<b>Energy Recovery Ventilator</b>	
<small>LISTED 440315 1600 60940920 400</small>	MODEL ERV100A9P00AA	MODELE
898S	DUCTED HEAT RECOVERY VENTILATOR	
<small>For residential use only Not for use in cooking area. WARNING: Danger of electrical shock. Always disconnect from power source before servicing.</small>	<small>Pour residence seulement. Ne pas utiliser dans les aires de emission. AVERTISSEMENT: Danger de choc electrique. Toujours deconnecter la source d'alimentation avant les reparations.</small>	
<small>120V, 50HZ, 1 Phase Qty 1: .09 HP &amp; 1.2 F.L.A. Motors Thermally Protected</small>	<small>120V, 50HZ, 1 Phase Qty 1: de chaque .09 CV &amp; 1.2 A.P.C. Moteurs proteges thermiquement</small>	
<b>SERIAL NUMBER:</b>	Trane 6200 Troup Highway Tyler, TX 75707	