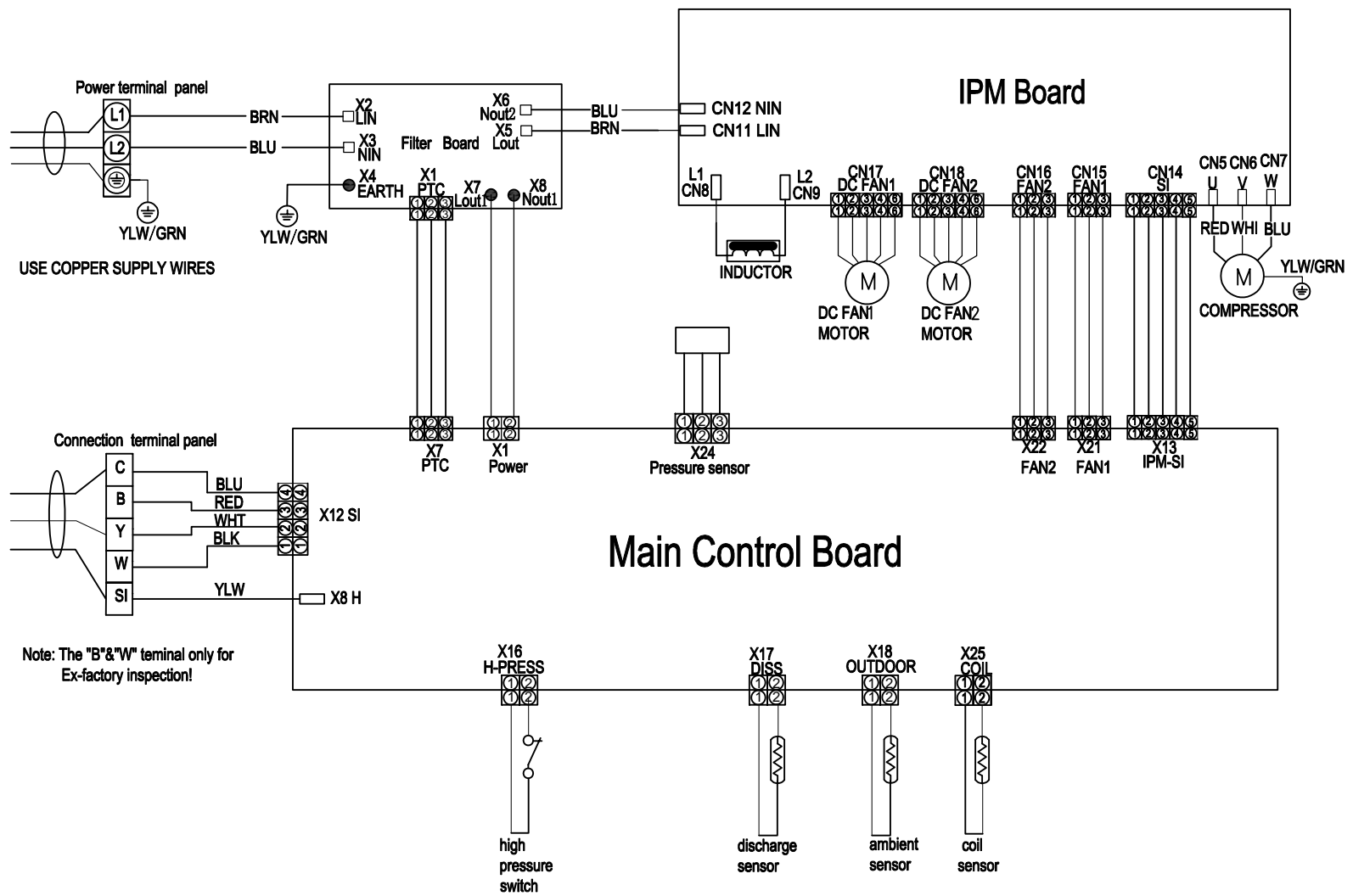


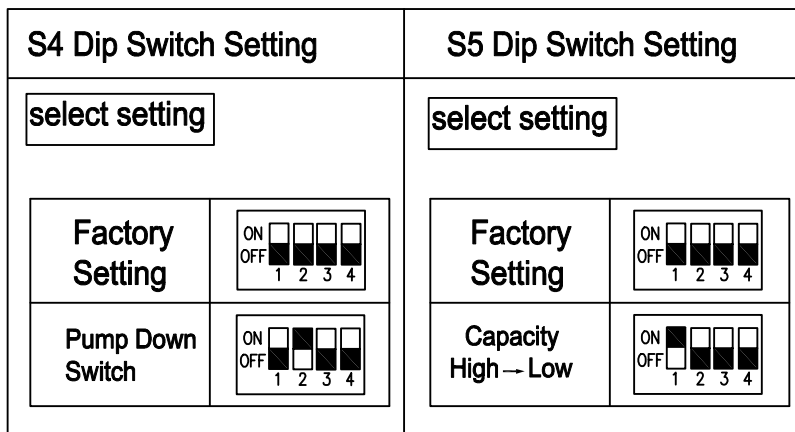
### Electric Wiring Diagram 2248372.B



Note: The "B" & "W" terminal only for Ex-factory inspection!

#### Dip Switch Setting of Outdoor Unit

Turn off all power sources before setting. Without turning off, the switches do not work and the contents of the setting are invalid. Mark of "■" indicates the position of dip switches.



#### Outdoor Fault Code Diagram

Code NO.	Content of Abnormality
1	Outdoor Temperature Sensor Fault
2	Outdoor Coil Temperature Sensor Fault
3	Emergency Shutdown for Current Abnormal
4	EEPROM Data Error
5	Refrigeration Freezing Protection
13	Compressor Overheat Protector Action
14	High Pressure Switch Action
16	Refrigeration Overload Protection
17	Discharge Sensor Fault
18	AC Voltage Fault
43	Pressure Sensor Fault
45	IPM Fault
46	IPM Communication Fault
47	Emergency Shutdown for Discharge Temperature Abnormal
48	DC Fan Motor1 Fault
49	DC Fan Motor2 Fault
91	Emergency Shutdown for IPM Temperature Abnormal
96	Lacking of refrigerant